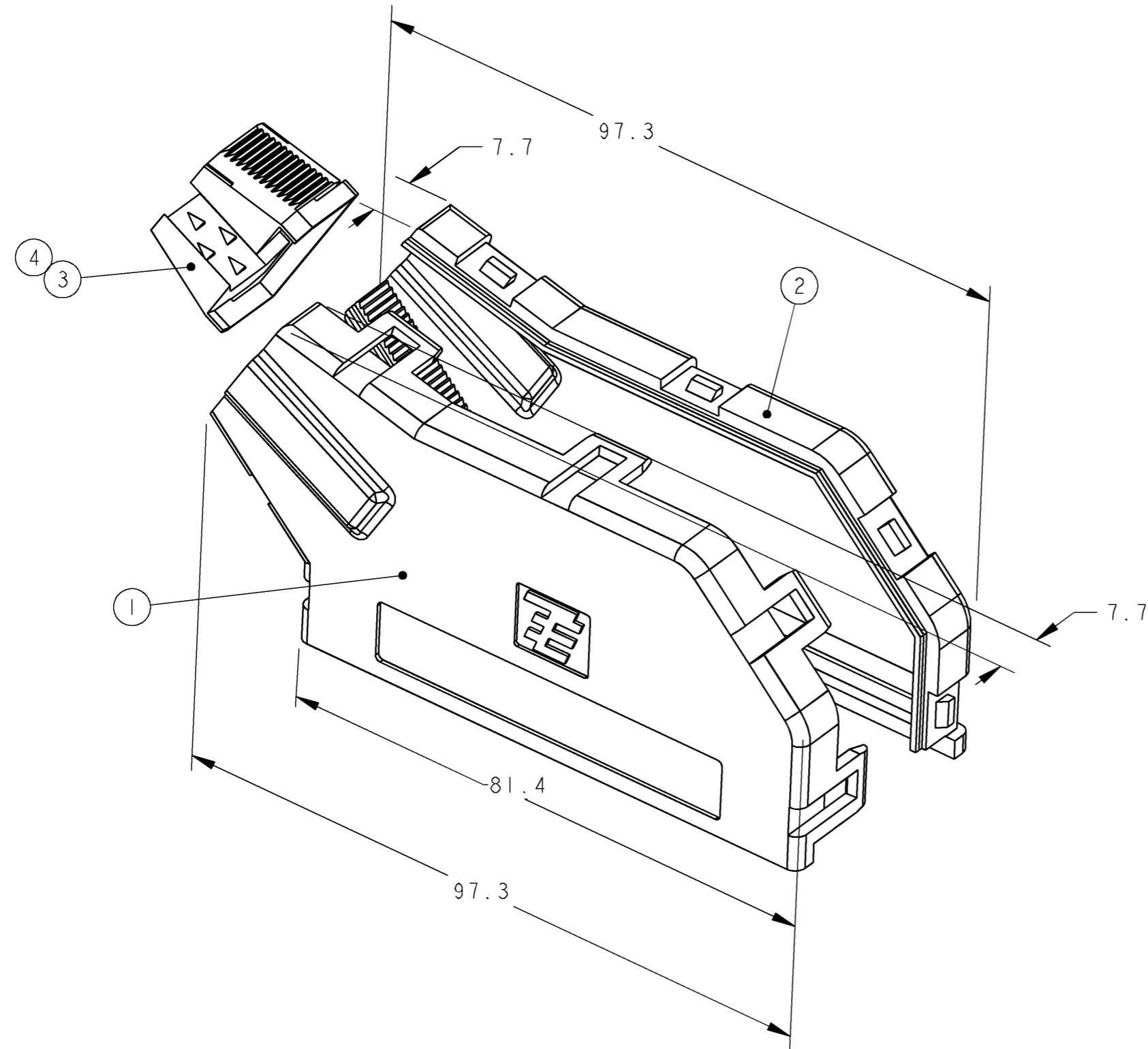


THIS DRAWING IS UNPUBLISHED. RELEASED FOR PUBLICATION
 © COPYRIGHT - BY TYCO ELECTRONICS CORPORATION. ALL RIGHTS RESERVED.

LOC	DIST	REVISIONS					
		P	LTR	DESCRIPTION	DATE	DWN	APVD
-	-		A	NEW RELEASE	27SEP07	SV	TdB
			AI	ECO-08-002076	23 JAN 08	SV	TdB
			B	ECR-08-008989	09 APR 08	SV	TdB



NOTES

- 1. 1982754-1 AS SHOWN
- 2. ALL DIMENSIONS SHOWN ARE MAXIMUM UNLESS OTHERWISE SPECIFIED
- 3. MATERIAL: POLYPHENYL OXIDE, BLACK
- 4. MAX CABLE DIA : 14.0 mm
- 5. KIT SHIPPED UNASSEMBLED.
- 6. PACKAGING- 100 PCS PER ITEM BULK PACKED IN SEPARATE POLY BAGS.
- 7. MATERIAL : NYLON 6.6, BLACK
- 8. MATERIAL : POLYPROPYLENE, BLACK

8	1	-	STRAINRELIEF	4
7	-	1	STRAINRELIEF LSZH CABLE	3
3	1	1	120°COVER GROOVE SIDE	2
3	1	1	120° COVER TOUNGE SIDE	1
	-2	-1	DESCRIPTION	SI.No

<small>THIS DRAWING IS A CONTROLLED DOCUMENT FOR TYCO ELECTRONICS CORPORATION IT IS SUBJECT TO CHANGE AND THE CONTROLLING ENGINEERING ORGANIZATION SHOULD BE CONTACTED FOR THE LATEST REVISION.</small>		DWN 27 SEP 07 Vathsa		Tyco Electronics Corp India(P) Ltd Bangalore 560048 ,India	
DIMENSIONS: mm		TOLERANCES UNLESS OTHERWISE SPECIFIED: 0 PLC ±- 1 PLC ±0.1 2 PLC ±- 3 PLC ±- 4 PLC ±- ANGLES ±-		NAME KIT, COVER 120DEG, 64 POS	
MATERIAL -		FINISH -		SIZE CAGE CODE DRAWING NO RESTRICTED TO A300779 G-1982754 -	
CUSTOMER DRAWING		SCALE 3:2		SHEET 1 OF 1 REV B	