

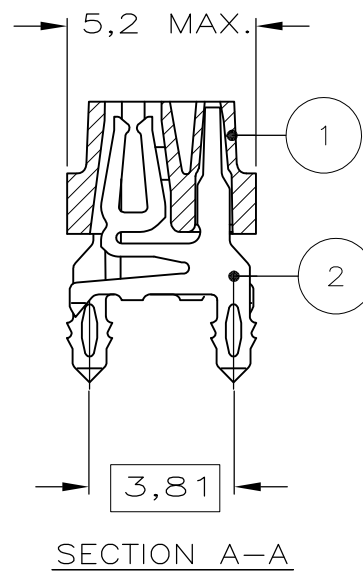
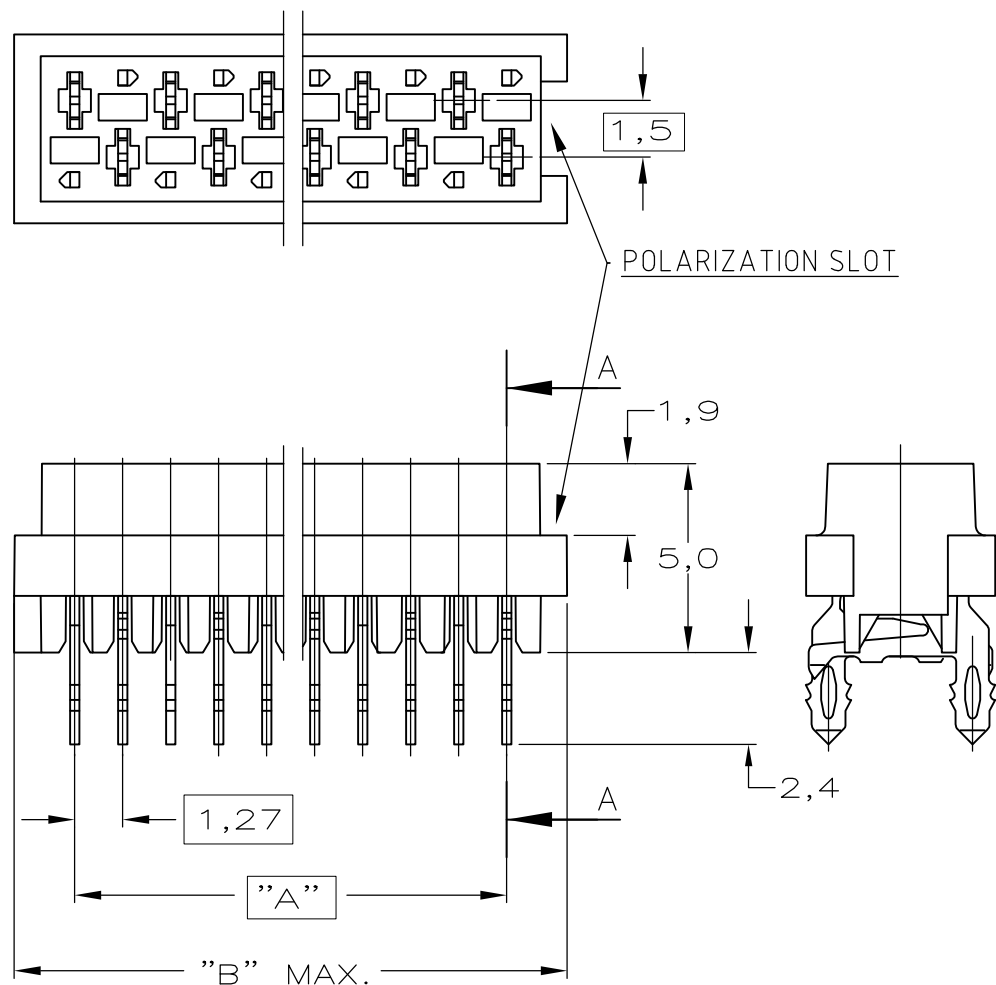
THIS DRAWING IS UNPUBLISHED.

RELEASED FOR PUBLICATION

ALL RIGHTS RESERVED.

© COPYRIGHT - By -

LOC	DIST	REVISIONS					
		P	LTR	DESCRIPTION	DATE	DWN	APVD
-	-		G1	Adhesive tape width changed back to 6 mm	09FEB2016	SS	PS



	PART NUMBER REEL PACKAGING	NUMBER OF POSITIONS	"A"	"B" MAX.
OBSOLETE	-0-100411-4-	4	3,81	7,1
OBSOLETE	-0-100411-6-	6	6,35	9,7
	0-100411-8	8	8,89	12,2
OBSOLETE	-1-100411-0-	10	11,43	14,7
OBSOLETE	-1-100411-2-	12	13,97	17,3
OBSOLETE	-1-100411-4-	14	16,51	19,8
OBSOLETE	-1-100411-6-	16	19,05	22,4
OBSOLETE	-1-100411-8-	18	21,59	24,9
	2-100411-0	20	24,13	27,4

3	FEMALE CONTACT	PHOSPHOR BRONZE	2
	HOUSING	GLASS FILLED POLYESTER (RED)	1
	DESCRIPTION	MATERIAL	ITEM

NOTES:

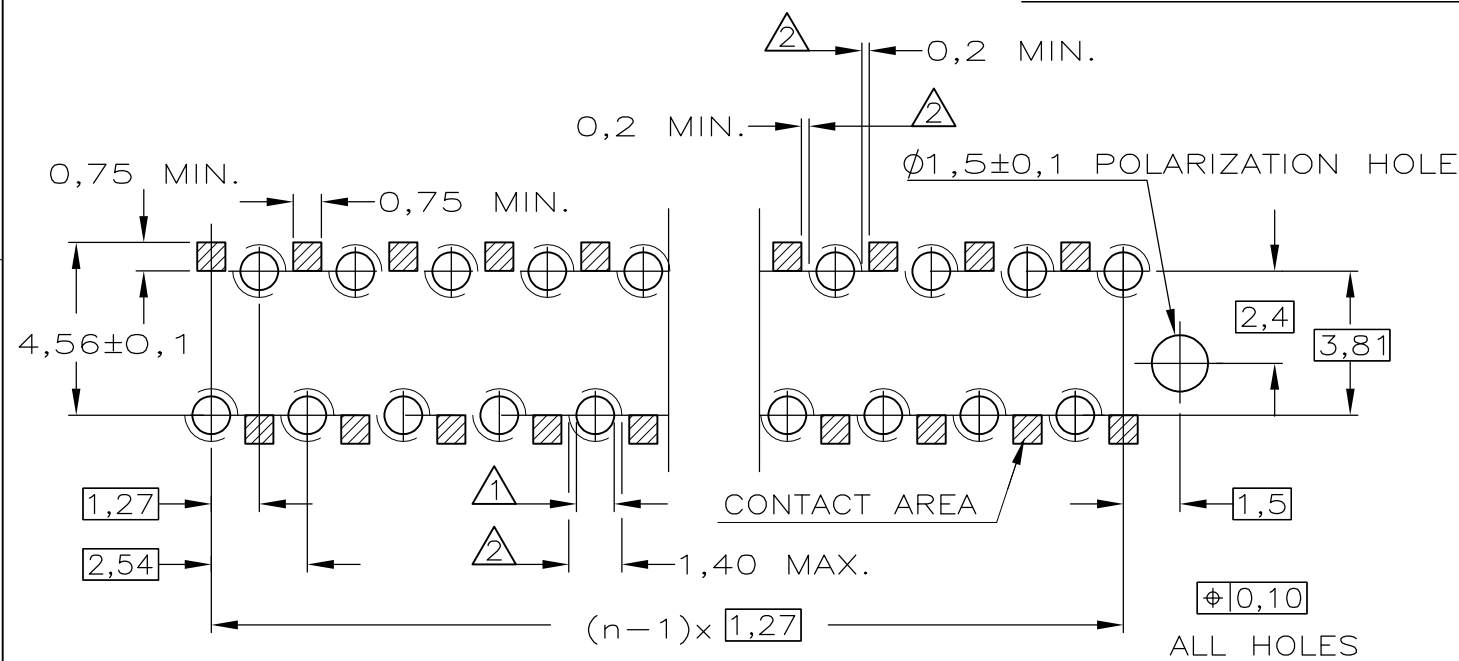
- HEIGHT OF CONNECTOR ABOVE P.C. BOARD SURFACE AFTER INSERTION: 5,20±0,05
- FOR PC BOARD LAY-OUT SEE SHEET 2
- FINISH: TIN OVER NICKEL PLATING.

THIS DRAWING IS A CONTROLLED DOCUMENT.		DWN 11-07-91 P V TONGEREN	<b>STE</b> TE Connectivity	
		CHK 11-07-91 H KOKKEN		
DIMENSIONS: mm		APVD -	NAME Micro MatCh FEMALE S.M.C. CONNECTOR	
TOLERANCES UNLESS OTHERWISE SPECIFIED:		PRODUCT SPEC 108-19052	SIZE A3	
0 PLC ± -		APPLICATION SPEC 114-19027	CAGE CODE 00779	DRAWING NO C-100411
1 PLC ± 0.2		WEIGHT -	RESTRICTED TO -	
2 PLC ± -		CUSTOMER DRAWING		
3 PLC ± -		SCALE 1:1		
4 PLC ± -		SHEET 1 OF 3		
ANGLES ± -		REV G1		
FINISH				
SEE TABLE				

THIS DRAWING IS UNPUBLISHED. RELEASED FOR PUBLICATION  
 © COPYRIGHT - By - ALL RIGHTS RESERVED.

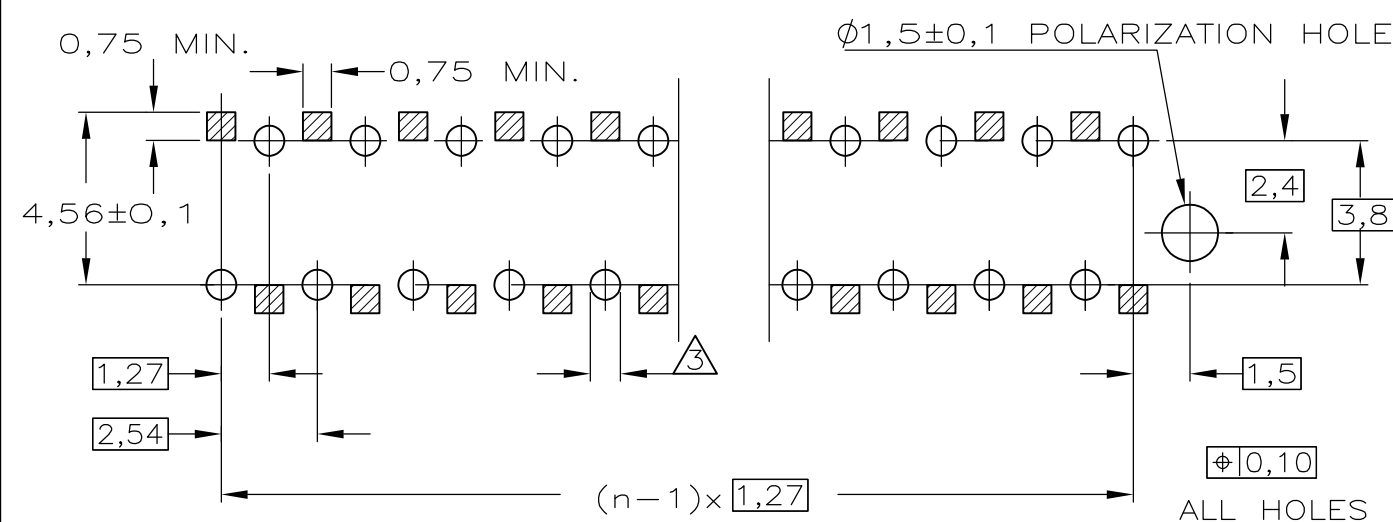
LOC	DIST	REVISIONS			
P	LTR	DESCRIPTION	DATE	DWN	APVD
-	-	SEE SHEET 1	-	-	-

RECOMMENDED PC BOARD LAY-OUT (SOLDERSIDE SHOWN)



EPOXY PC BOARDS WITH PLATED OR UNPLATED DRILLED HOLES

- △1 EPOXY PC BOARD WITH UNPLATED DRILLED HOLES 1,00±0,05mm.  
FOR PLATED HOLES: SEE TABLE 1
- △2 EPOXY PC BOARDS WITH PLATED DRILLED HOLES, SOLDER EYE 1,40 MAX. TO ACHIEVE A CREEPAGE DISTANCE BETWEEN SOLDER EYE AND CONTACT AREA CONNECTOR OF MIN. 0,20mm.



PAPER PHENOLIC PC BOARDS WITH PUNCHED HOLES

- △3 HOLE DIAMETER 0,80<sup>+0,15</sup><sub>-0</sub>

TABLE 1

P.C.B. HOLE DIM. PLATED	
FIN. HOLE	0,95 TO 1,05 mm
Cu-thks	0,025 TO 0,050 mm
Sn-thks	0,004 TO 0,010 mm

THIS DRAWING IS A CONTROLLED DOCUMENT.		DWN	11-07-91		<b>STE</b> TE Connectivity
		P	V TONGEREN		
		CHK	11-07-91		
		H	KOKKEN		
		APVD	-		NAME
		PRODUCT SPEC			Micro MatCh FEMALE S.M.C. CONNECTOR
		APPLICATION SPEC			-
		108-19052			SIZE
		114-19027			CAGE CODE
		WEIGHT			DRAWING NO
		-			A300779
		CUSTOMER DRAWING			RESTRICTED TO
		SCALE			1:1
		SHEET			2 OF 3
		REV			G1

THIS DRAWING IS UNPUBLISHED.

RELEASED FOR PUBLICATION

-. -. .

LOC -

DIST -

REVISIONS

© COPYRIGHT - By -

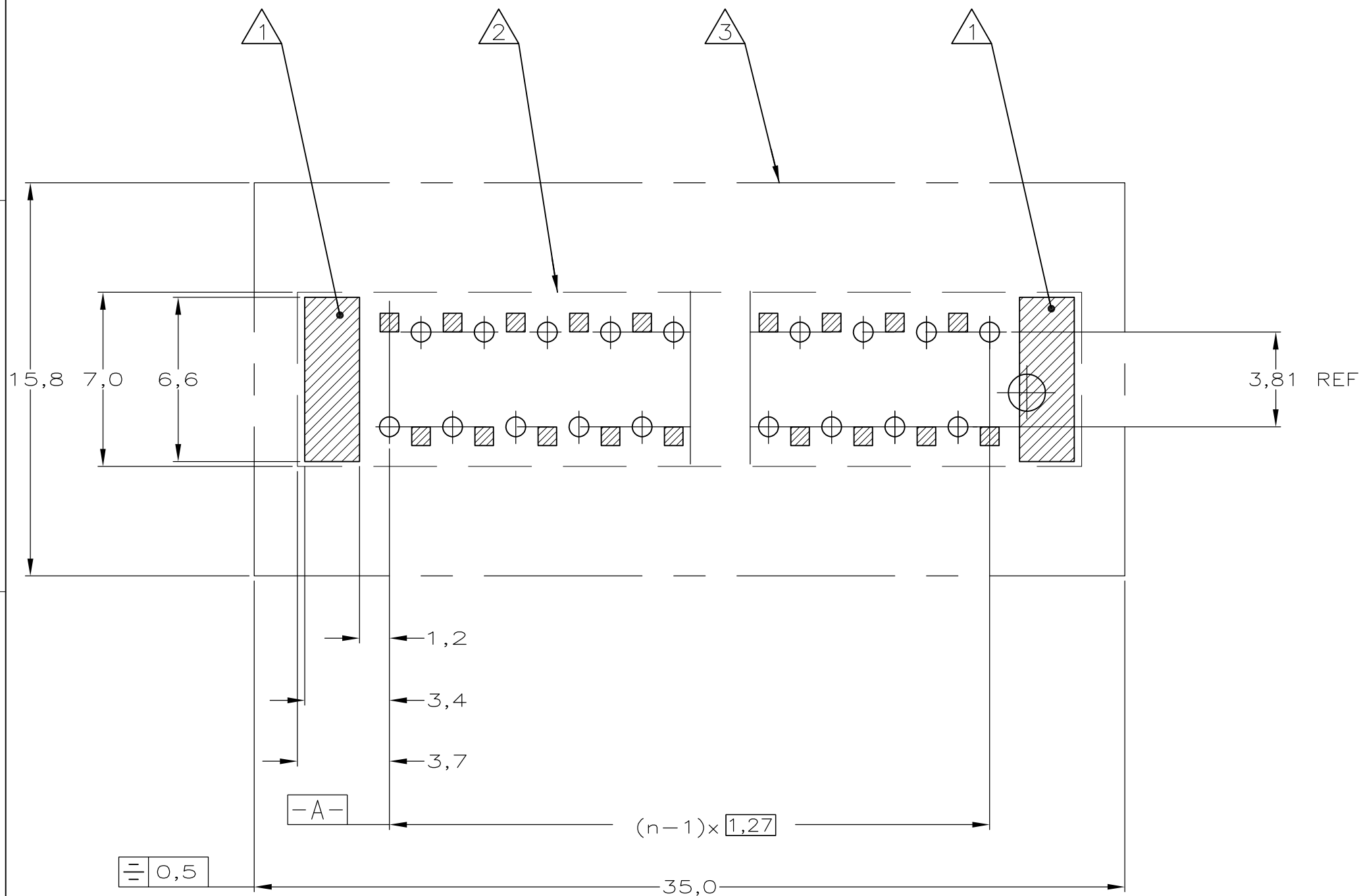
ALL RIGHTS RESERVED.


P	LTR	DESCRIPTION	DATE	DWN	APVD
-	-	SEE SHEET 1	-	-	-

### P.C.B. LAYOUT RECOMENDATIONS TOOLING AREAS

NOTES:

- ① SHADED AREAS FREE OF (TINNED) COPPER TRACKS ON P.C.B.
- ② AREAS WITHIN THE DOTTED LINE FREE OF P.C.B. COMPONENTS, TOP AND BACK SIDE OF THE P.C.B.
- ③ AREA WITHIN THIS LINE FREE OF COMPONENTS HIGHER THAN 14 mm



THIS DRAWING IS A CONTROLLED DOCUMENT.		DWN H.vd STEEN 12.05.92	 <b>TE Connectivity</b>														
DIMENSIONS: mm		CHK H vd STEEN 12.05.92															
TOLERANCES UNLESS OTHERWISE SPECIFIED:		APVD -	NAME														
<table border="0"> <tr><td>0 PLC</td><td>± -</td></tr> <tr><td>1 PLC</td><td>± 0.1</td></tr> <tr><td>2 PLC</td><td>± -</td></tr> <tr><td>3 PLC</td><td>± -</td></tr> <tr><td>4 PLC</td><td>± -</td></tr> <tr><td>ANGLES</td><td>± -</td></tr> </table>		0 PLC	± -	1 PLC	± 0.1	2 PLC	± -	3 PLC	± -	4 PLC	± -	ANGLES	± -	PRODUCT SPEC 108-19052	TOOLING AREAS		
0 PLC	± -																
1 PLC	± 0.1																
2 PLC	± -																
3 PLC	± -																
4 PLC	± -																
ANGLES	± -																
MATERIAL -		FINISH -	APPLICATION SPEC 114-19027	Micro MatCh FEMALE S.M.C. CONNECTOR													
		WEIGHT -	SIZE A3	CAGE CODE 00779	DRAWING NO C-100411												
CUSTOMER DRAWING			RESTRICTED TO -	SCALE 1:1	SHEET 3 OF 3												
			REV G1														