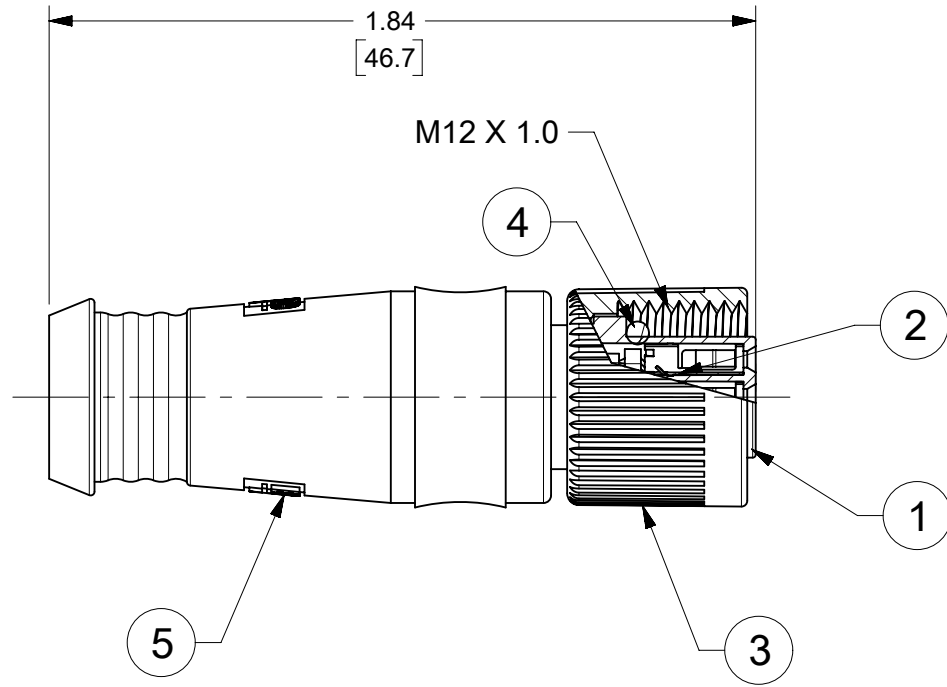
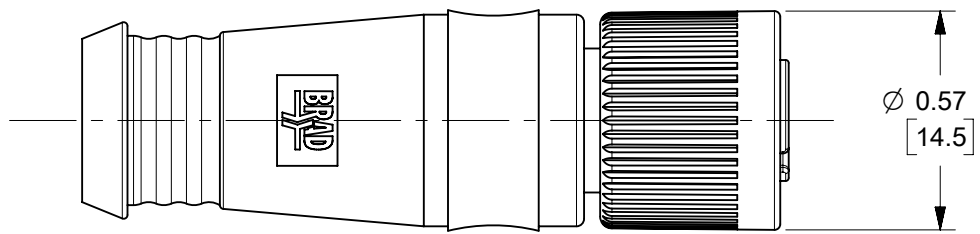
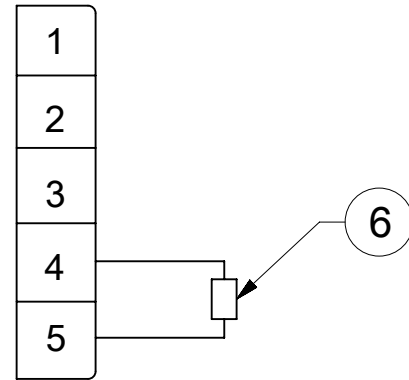


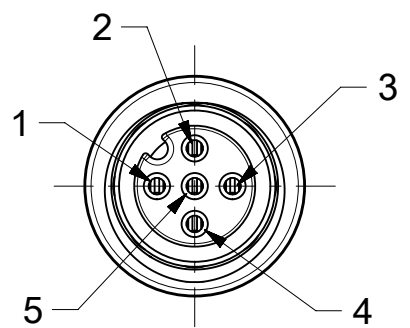
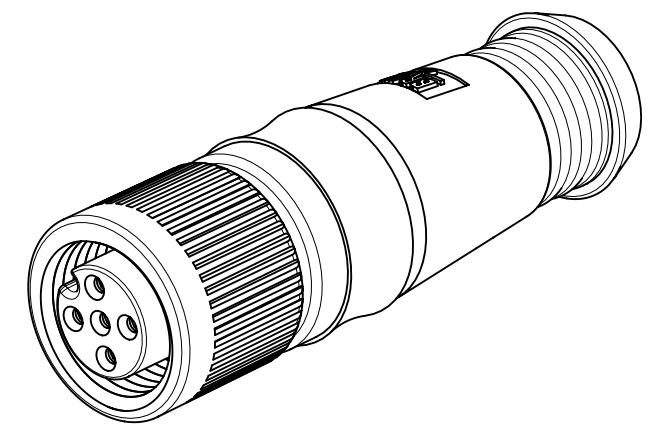
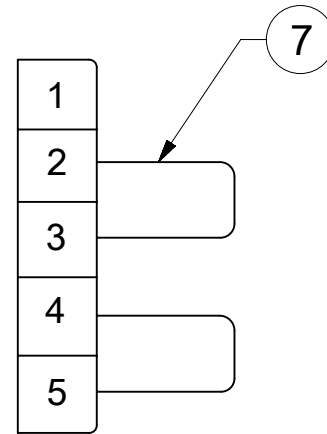
MATERIAL NO.	ENGINEERING NO.	DESCRIPTION
1300390385	DND150	FEMALE STANDARD TERMINATOR WITH RESISTOR
1300390386	DND151	FEMALE TERMINATOR WITH JUMPERS



WIRING DIAGRAM (1300390385)



WIRING DIAGRAM (1300390386)



- NOTES:
1. MATERIAL: SEE TABLE
  2. FINISHES: SEE TABLE
  3. ELECTRICAL SPECIFICATION:  
VOLTAGE RATING: 30V  
CURRENT RATING: 4.0 AMPS
  4. TEMP RATING: 0°C to +60°C (B)
  5. PROTECTION: IP67 RATED (WHEN MATED) (B)
  6. ALL DIMS ARE FOR REFERENCE UNLESS TOLERANCED OR NOTED OTHERWISE

ITEM	DESCRIPTION	MATERIAL	FINISH
7	JUMPER WIRE, 22 AWG	PVC INSULATION	
6	RESISTOR, 121 OHM, 1/4 WATT, ±1%	CARBON OR METAL FILM	
5	OVERMOLD	GRAY	TPC
4	O-RING	NITRILE	RED
3	FEMALE COUPLING NUT	ZINC DIE-CAST	BLACK E-COAT
2	SOCKET CONTACT	Cu ALLOY	GOLD OVER NICKEL
1	FEMALE INSERT	NYLON	BLACK

DOCUMENT STATUS	P1	RELEASE DATE	2022/06/14	13:48:40
-----------------	----	--------------	------------	----------

THIS DRAWING CONTAINS INFORMATION THAT IS PROPRIETARY TO MOLEX ELECTRONIC TECHNOLOGIES, LLC AND SHOULD NOT BE USED WITHOUT WRITTEN PERMISSION									
FUNCTIONAL SYMBOLS	DIMENSION UNITS	SCALE	CURRENT REV DESC: UPDATED ITEM 5 WAS PVC, ADDED TEMP & IP RATINGS						
FA = 0	INCH/MM	2:1	<p>EC NO: 709714 DRWN: VHANDI 2022/01/11 CHKD: RSTONE 2022/06/08 APPR: BWOODMAN 2022/06/14</p> <p>INITIAL REVISION: DRWN: RSTONE 2009/08/28 APPR: JFMURPHY 2009/08/31</p>						
EA = 0	GENERAL TOLERANCES (UNLESS SPECIFIED)								
EA = 0	MM	INCH							
EA = 0	4 PLACES ±	±							
	3 PLACES ±	±	PRODUCT CUSTOMER DRAWING						
	2 PLACES ±	±	DOCUMENT NUMBER						
	1 PLACE ±	±	SD-130039-012						
	0 PLACES ±	±	DOCTYPE DOC PART REVISION						
	ANGULAR TOL ± °		PSD 001 B						
	DRAFT WHERE APPLICABLE MUST REMAIN WITHIN DIMENSIONS	THIRD ANGLE PROJECTION	DRAWING	SERIES	MATERIAL NUMBER	CUSTOMER	SHEET NUMBER		
			B-SIZE	130039	SEE TABLE	GENERAL MARKET	1 OF 1		