

10 9 8 7 6 5 4 3 2 1

F

E

D

C

B

A

F

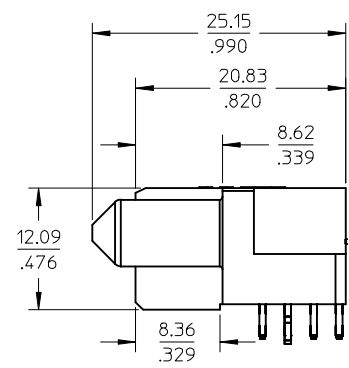
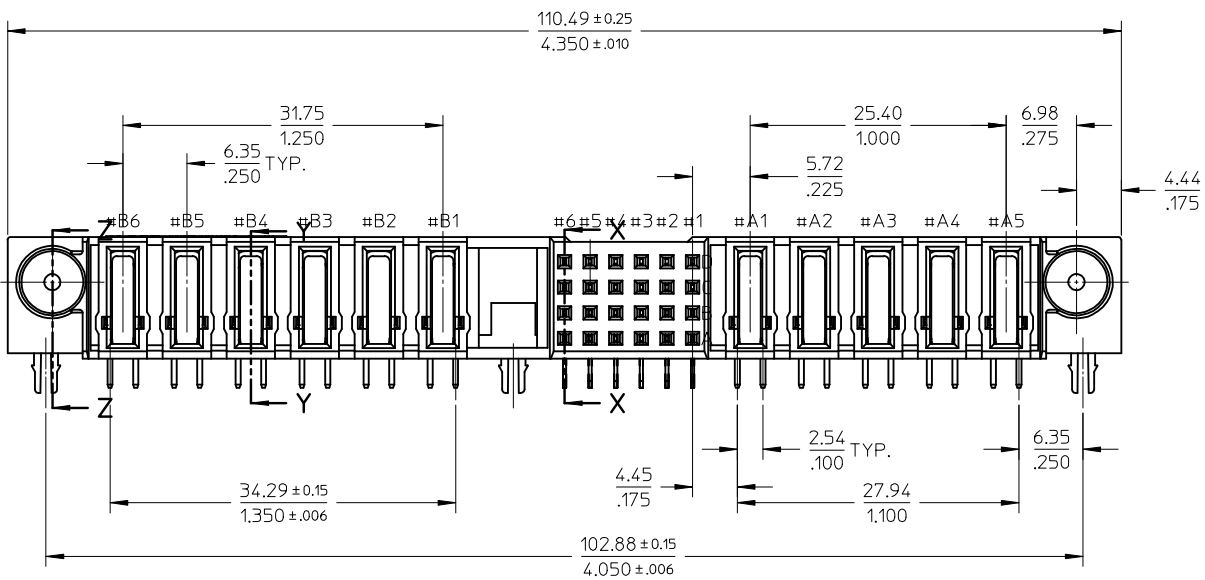
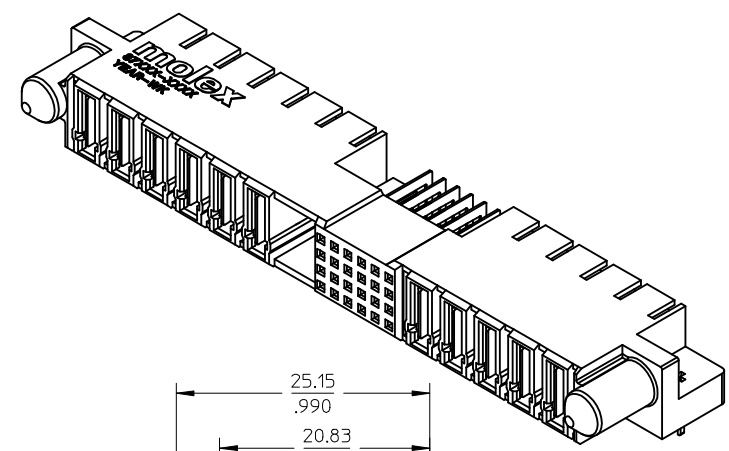
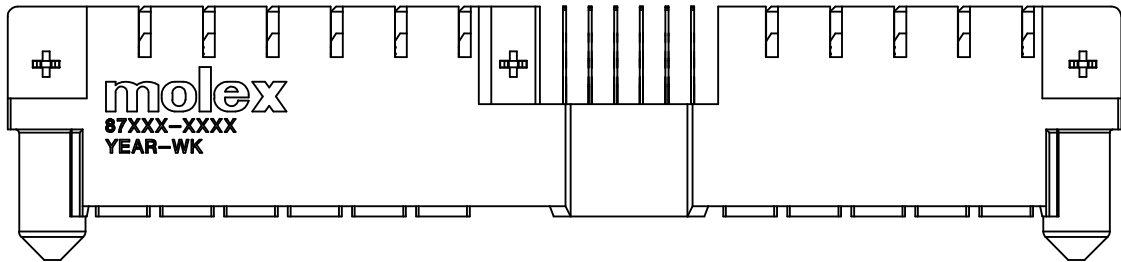
E

D

C

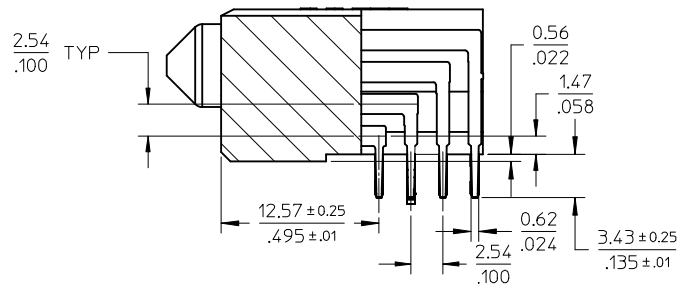
B

A

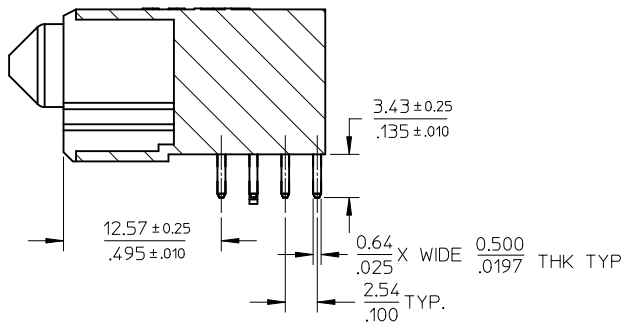


CORRECT PCB HOLE SIZE EC NO: S2009-0475 DRWN:SKANG 2009/01/16 CHKD:ATSEE 2009/01/20 APPR:MLONG 2009/02/05	DESCRIPTION D1	QUALITY SYMBOLS ▽=0 ◻=0	GENERAL TOLERANCES (UNLESS SPECIFIED) mm INCH 4 PLACES ± --- ± --- 3 PLACES ± --- ± .005 2 PLACES ± 0.13 ± .010 1 PLACE ± 0.25 ± --- ANGULAR ± 3 °	DIMENSION STYLE MM/IN DRAWN BY: KMG0H DATE: 2002/08/01 CHECKED BY: PTL IM DATE: 2002/11/21 APPROVED BY: SKTOH DATE: 2002/11/21	SCALE NTS	DESIGN UNITS METRIC	THIRD ANGLE PROJECTION
		DRAFT WHERE APPLICABLE MUST REMAIN WITHIN DIMENSIONS	MATERIAL NO. SEE TABLE	TITLE MPS POWER RECEPTACLE 6POWER-24SIGNAL-5POWER R/A, T/H	MOLEX INCORPORATED	SHEET NO. 1 OF 3	
		SIZE A3	THIS DRAWING CONTAINS INFORMATION THAT IS PROPRIETARY TO MOLEX INCORPORATED AND SHOULD NOT BE USED WITHOUT WRITTEN PERMISSION	DOCUMENT NO. SD-87616-011	MOLEX		
						MOLEX INCORPORATED	DOCUMENT NO. SD-87616-011

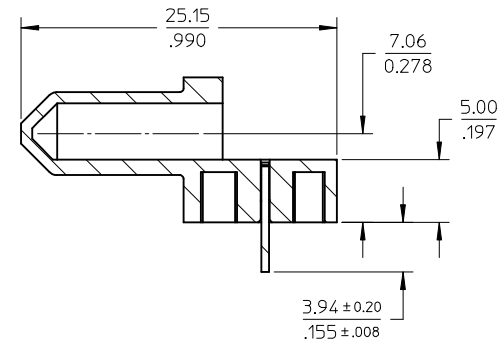
9 8 7 6 5 4 3 2 1



SECTION X-X



SECTION Y-Y



SECTION Z-Z

CONNECTOR - NOTES

1. MATERIALS

HOUSING - LCP, GLASS FILLED,  
UL 94V-0, COLOR: BLACK

POWER PIN - COPPER ALLOY

SIGNAL PIN - COPPER ALLOY

BOARD LOCK - COPPER ALLOY

2 PLATING

POWER AND SIGNAL PINS - 0.76 MICROMETER MINIMUM GOLD (Au) AT CONTACT AREA AND 2.54 MICROMETER MINIMUM TIN AT SOLDER TAIL AREA OVER 1.27 MICROMETER MINIMUM NICKEL (Ni) UNDERPLATE.

3. PRODUCT SPECIFICATION : PS-87615-005.

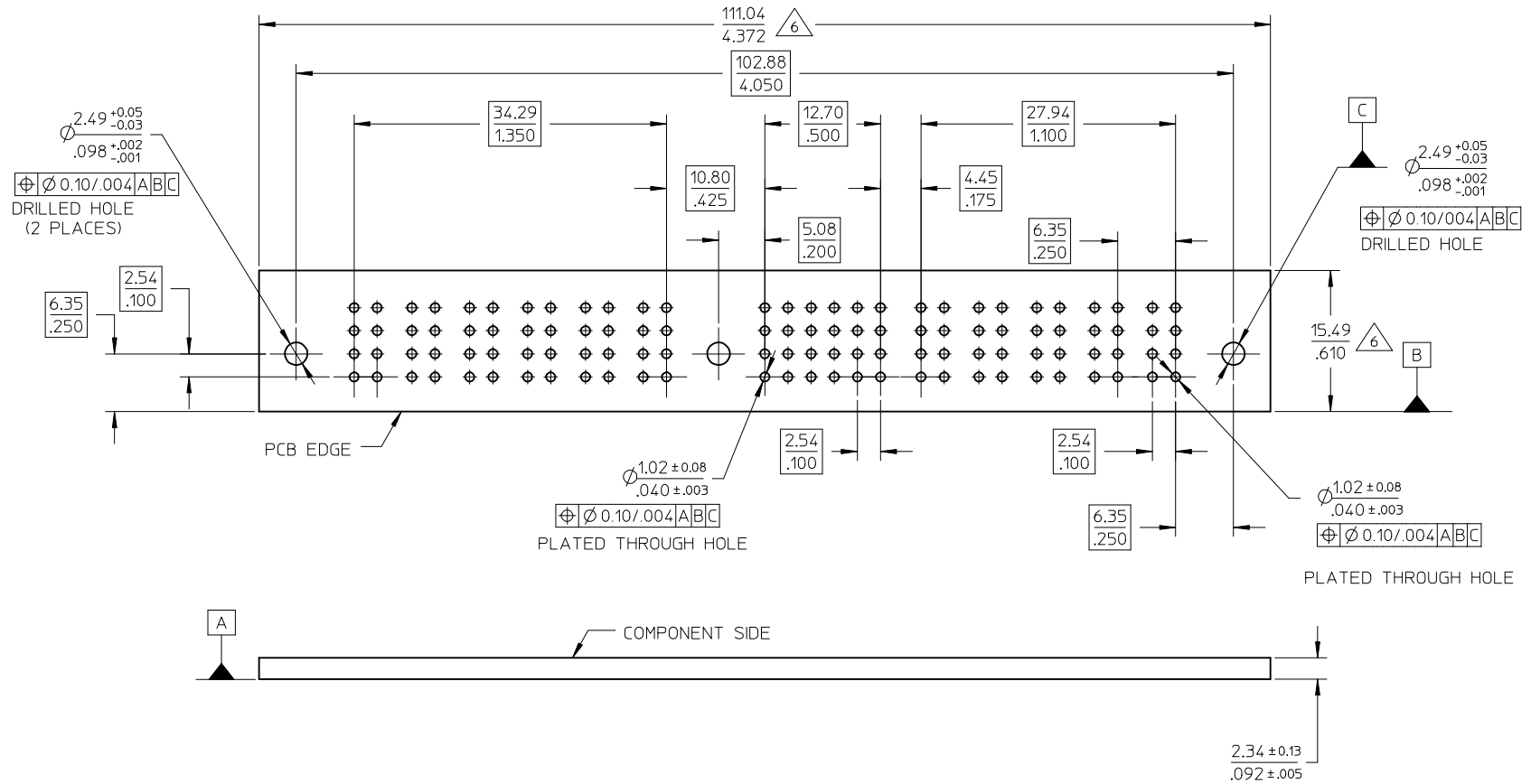
4. SEE SHEET 3 FOR RECOMMENDED PCB LAYOUT AND THICKNESS

5 MATES WITH MOLEX PART NUMBER : 87615-0001

⚠ COMPONENT STAY AWAY ZONE FROM CONNECTOR

CORRECT PCB HOLE SIZE	EC NO: S2009-0475	2009/01/16	QUALITY SYMBOLS	GENERAL TOLERANCES (UNLESS SPECIFIED)		DIMENSION STYLE		SCALE	DESIGN UNITS	THIRD ANGLE PROJECTION	
	DRWNS:SKANG	2009/01/20		mm	INCH	MM/IN	NTS	METRIC			
	CHKD:ATSEE	2009/02/05		4 PLACES ± --- ± ---	3 PLACES ± --- ± .005	DRAWN BY	DATE	TITLE			
	APPR:MLONG			2 PLACES ± 0.13 ± .010	1 PLACE ± 0.25 ± ---	KMGOH	2002/08/01	MPS POWER RECEPTACLE 6POWER-24SIGNAL-5POWER R/A, T/H			
D1	REV	DESCRIPTION	ANGULAR ± 3 °	DRAFT WHERE APPLICABLE MUST REMAIN WITHIN DIMENSIONS		APPROVED BY	DATE	MOLEX MOLEX INCORPORATED		SHEET NO.	
						SKTOH	2002/11/21	DOCUMENT NO. SD-87616-011		2 OF 3	
						SIZE	THIS DRAWING CONTAINS INFORMATION THAT IS PROPRIETARY TO MOLEX INCORPORATED AND SHOULD NOT BE USED WITHOUT WRITTEN PERMISSION				
						A3					

10	9	8	7	6	5	4	3	2	1
PART NUMBER	PART STATUS	PACKAGING							
87616-1001	TOOLED	TRAY							



CORRECT PCB HOLE SIZE EC NO: S2009-0475 DRWN:SKANG 2009/01/16 CHKD:ATSEE 2009/01/20 APPR:MLONG 2009/02/05	QUALITY SYMBOLS	GENERAL TOLERANCES (UNLESS SPECIFIED)	DIMENSION STYLE	SCALE	DESIGN UNITS	THIRD ANGLE PROJECTION	
	▽=0 ∇=0	mm INCH	MM/IN	NTS	METRIC		
		4 PLACES ± --- ± --- 3 PLACES ± --- ± .005 2 PLACES ± 0.13 ± .010 1 PLACE ± 0.25 ± ---	DRAWN BY DATE KMG0H 2002/08/01	TITLE	MPS POWER RECEPTACLE 6POWER-24SIGNAL-5POWER R/A, T/H		
	DESCRIPTION	ANGULAR ± 3 °	CHECKED BY DATE PTL IM 2002/11/21	MOLEX INCORPORATED			
REV		DRAFT WHERE APPLICABLE MUST REMAIN WITHIN DIMENSIONS	APPROVED BY DATE SKT0H 2002/11/21	MATERIAL NO.	DOCUMENT NO.	SHEET NO.	
D1			SEE TABLE		SD-87616-011	3 OF 3	
			SIZE A3	THIS DRAWING CONTAINS INFORMATION THAT IS PROPRIETARY TO MOLEX INCORPORATED AND SHOULD NOT BE USED WITHOUT WRITTEN PERMISSION			