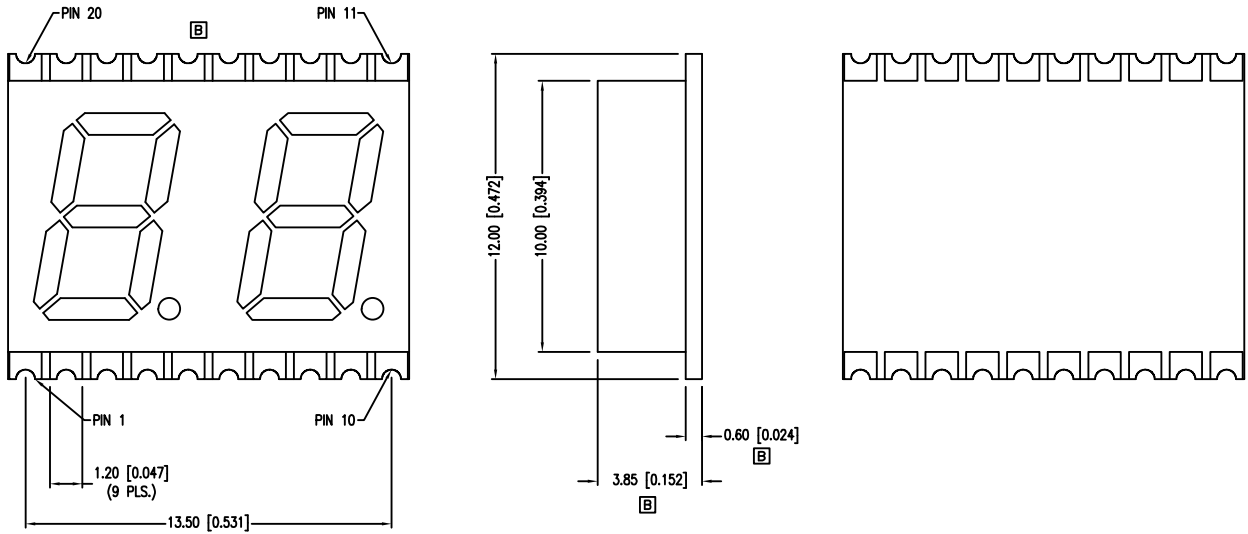


PART NUMBER	LDD-SMHTA304RISITR	REV.	B
DATE	E.C.N. NUMBER AND REVISION COMMENTS		REV.
03/26/12	E.C.N. #11811 CHANGE PART DESCRIPTION.		A
02.06.17	ECN-Lumex201700004		B



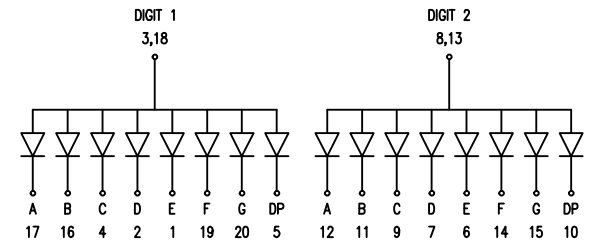
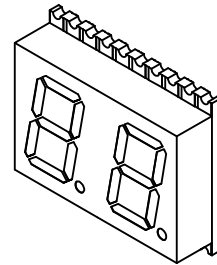
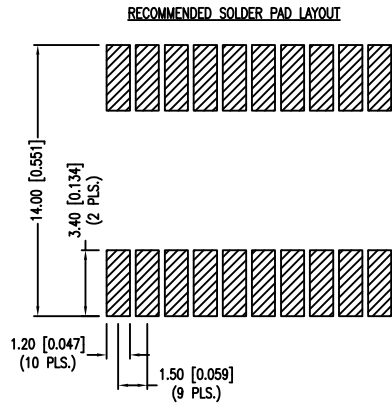
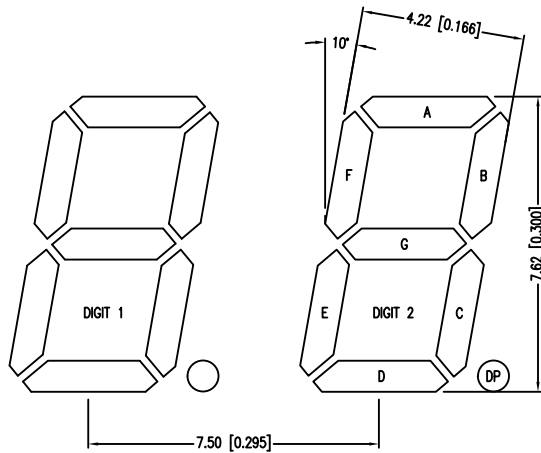
ELECTRO-OPTICAL CHARACTERISTICS Ta=25°C

PARAMETER	MIN	TYP	MAX	UNITS	TEST COND
PEAK WAVELENGTH		635		nm	If=20mA
FORWARD VOLTAGE		2	2.40	Vf	If=20mA
REVERSE VOLTAGE			5.0	Vr	If=100µA
AXIAL INTENSITY		4000		µcd	If=10mA
EMITTED COLOR:	RED				
FACE COLOR:	GRAY				
SEGMENT COLOR:	MILKY WHITE DIFFUSED				

LIMITS OF SAFE OPERATION AT 25°C PER DIE

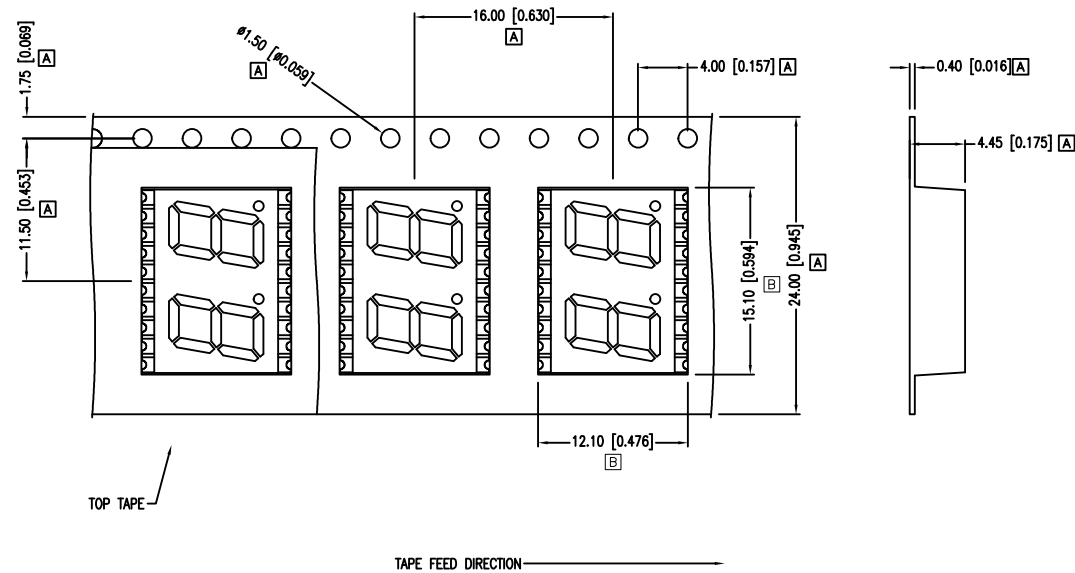
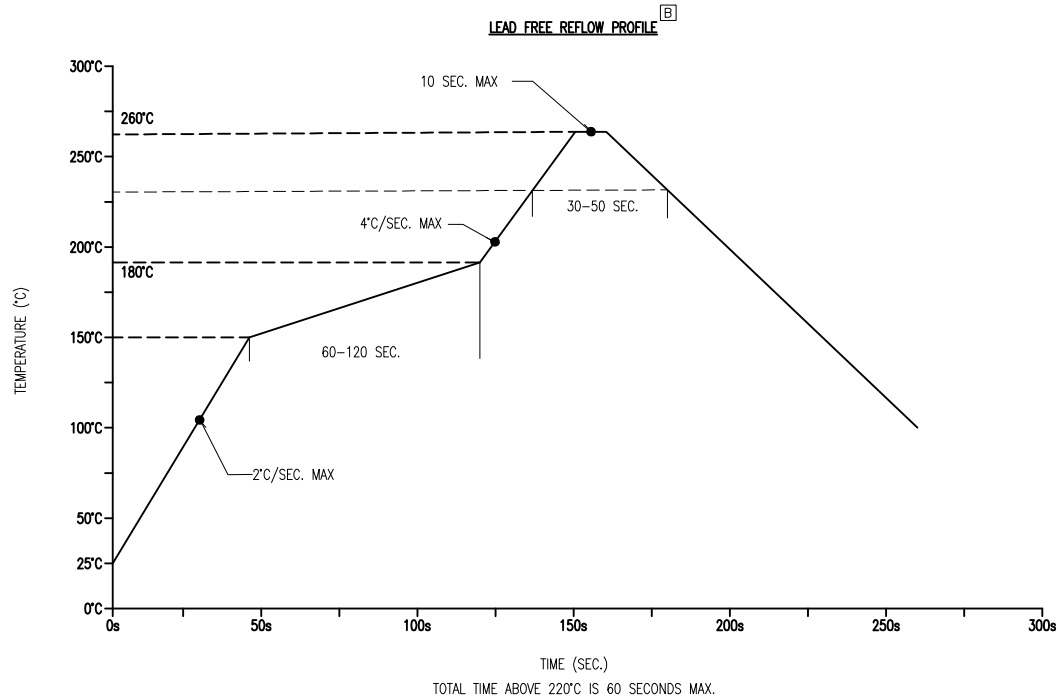
PARAMETER	MAX	UNITS
PEAK FORWARD CURRENT*	100	mA
STEADY CURRENT	25	mA
POWER DISSIPATION	60	mW
DERATE FROM 25°C	-0.30	mA/°C
OPERATING TEMP.	-40 TO +105	°C
STORAGE TEMP.	-40 TO +105	°C

* t<10µs



*UNLESS OTHERWISE SPECIFIED TOLERANCES PER DECIMAL PRECISION ARE: X=±1 (±0.039), X.X=±0.5 (±0.020), X.XX=±0.25 (±0.010), X.XXX=±0.127 (±0.005). LEAD SIZE=±0.05 (±0.002), LEAD LENGTH=±0.75 (±0.030). MIN= +DECIMAL PRECISION MAX.= -DECIMAL PRECISION

	N. GARY AVE. CAROL STREAM, IL 60188 PHONE: +800-278-5666 FAX: 630-315-2150 WEB: WWW.LUMEX.COM	0.30" 7 SEGMENT DUAL DIGIT DISPLAY, 635nm RED, HIGH TEMP., COMMON ANODE. [A]	DATE: 02.06.17	DRAWN BY: E.C.
		THE SPECIFICATIONS MAY CHANGE AT ANY TIME WITHOUT NOTICE DUE TO NEW MATERIALS OR PRODUCT IMPROVEMENT.	PAGE: 1 OF 2	CHKD BY: G.Y.
		CONFIDENTIAL INFORMATION THE INFORMATION CONTAINED IN THIS DOCUMENT IS THE PROPERTY OF LUMEX INC. EXCEPT AS SPECIFICALLY AUTHORIZED IN WRITING BY LUMEX INC., THE HOLDER OF THIS DOCUMENT SHALL KEEP ALL INFORMATION CONTAINED HEREIN CONFIDENTIAL AND SHALL PROTECT SAME IN WHOLE OR IN PART FROM DISCLOSURE AND DISSEMINATION TO ALL THIRD PARTIES.	SCALE: NTS	APRVD BY: RC.
			UNIT: mm [INCH]	[P6]



*UNLESS OTHERWISE SPECIFIED TOLERANCES PER DECIMAL PRECISION ARE: X=±1 (±0.039), X.X=±0.5 (±0.020), X.XX=±0.25 (±0.010), X.XXX=±0.127 (±0.005). LEAD SIZE=±0.05 (±0.002), LEAD LENGTH=±0.75 (±0.030). MIN= ^{+DECIMAL PRECISION} _{-0.00} MAX.= ^{+0.00} _{-DECIMAL PRECISION}



N. GARY AVE.
CAROL STREAM, IL 60188
PHONE: +800-278-5666
FAX: 630-315-2150
WEB: WWW.LUMEX.COM

0.30" 7 SEGMENT DUAL DIGIT DISPLAY, 635nm RED, HIGH TEMP., COMMON ANODE. ^A

THE SPECIFICATIONS MAY CHANGE AT ANY TIME WITHOUT NOTICE DUE TO NEW MATERIALS OR PRODUCT IMPROVEMENT.

CONFIDENTIAL INFORMATION
THE INFORMATION CONTAINED IN THIS DOCUMENT IS THE PROPERTY OF LUMEX INC. EXCEPT AS SPECIFICALLY AUTHORIZED IN WRITING BY LUMEX INC., THE HOLDER OF THIS DOCUMENT SHALL KEEP ALL INFORMATION CONTAINED HEREIN CONFIDENTIAL AND SHALL PROTECT SAME IN WHOLE OR IN PART FROM DISCLOSURE AND DISSEMINATION TO ALL THIRD PARTIES.

DATE:	02.06.17	DRAWN BY:	E.C.
PAGE:	2 OF 2	CHKD BY:	G.Y.
SCALE:	NTS	APRVD BY:	R.C.
UNIT:	mm [INCH]		Ⓟ