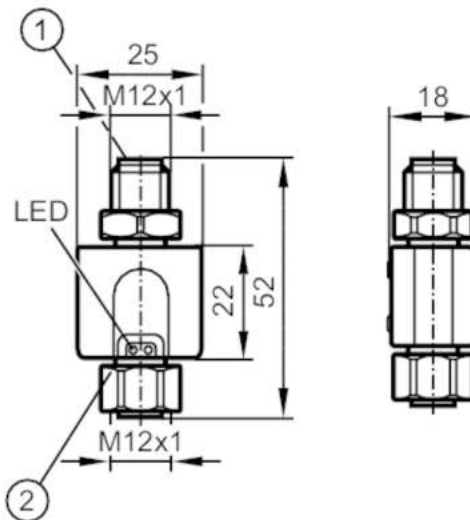


TP3233



Evaluation unit for PT100/PT1000 temperature sensors

TP- FEC -A-ZVG/US/



- 1 connection for voltage supply and output signals
2 connection for temperature sensor



Product characteristics

Number of inputs and outputs	Number of analogue outputs: 1	
Measuring range	-50...300 °C	-58...572 °F

Application

Special feature	Gold-plated contacts
Application	for Pt100 and Pt1000 measuring elements

Electrical data

Operating voltage [V]	20...32 DC
Protection class	III
Reverse polarity protection	yes
Power-on delay time [s]	1
Integrated watchdog	yes

Inputs / outputs

Number of inputs and outputs	Number of analogue outputs: 1
------------------------------	-------------------------------

Outputs

Total number of outputs	1
Output signal	analogue signal; IO-Link; (configurable)
Number of analogue outputs	1
Analogue current output [mA]	4...20
Max. load [Ω]	300
Short-circuit protection	yes
Type of short-circuit protection	pulsed
Overload protection	yes

Measuring/setting range

Measuring range	-50...300 °C	-58...572 °F
Factory setting	0...300 °F	

TP3233

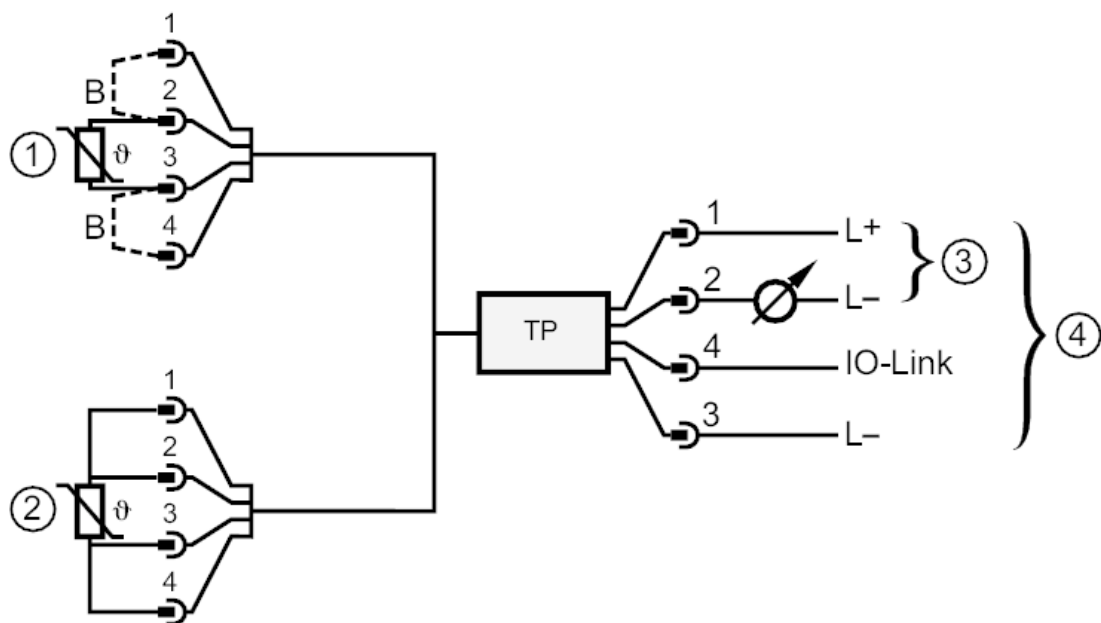


Evaluation unit for PT100/PT1000 temperature sensors

TP- FEC -A-ZVG/US/

Accuracy / deviations		
Precision analogue output [K]		$\pm 0,3 + (\pm 0,1 \% \text{ MS})$
Temperature coefficient [% of the span / 10 K]		0,1
Response times		
Max. measuring/display cycle [ms]		100
Interfaces		
Communication interface		IO-Link
Transmission type		COM2 (38,4 kBaud)
IO-Link revision		1.0
Operating conditions		
Ambient temperature [°C]		-25...70
Storage temperature [°C]		-40...85
Protection		IP 67
Tests / approvals		
EMC	EN 61326-1	
Shock resistance	DIN IEC 68-2-27	50 g (11 ms)
Vibration resistance	DIN IEC 68-2-6	20 g (10...2000 Hz)
MTTF [years]		449
Mechanical data		
Weight [g]		40.5
Dimensions [mm]		M12 x 1
Thread designation		M12 x 1
Materials		PA; PET
Sealing material		FKM
Remarks		
Remarks	operating voltage "supply class 2" according to cULus MS = set measuring span	
Pack quantity		1 pcs.
Electrical connection		
Connector: 1 x M12; coding: A; Moulded body: TPU; Locking: stainless steel (1.4404 / 316L); Sealing: FKM; Contacts: gold-plated		

Connection



- 1: two-wire sensor
- 2: four-wire sensor
- 3: operation as 2-wire temperature transmitter
- 4: operation as 3-wire unit, IO-Link communication possible
- B: link