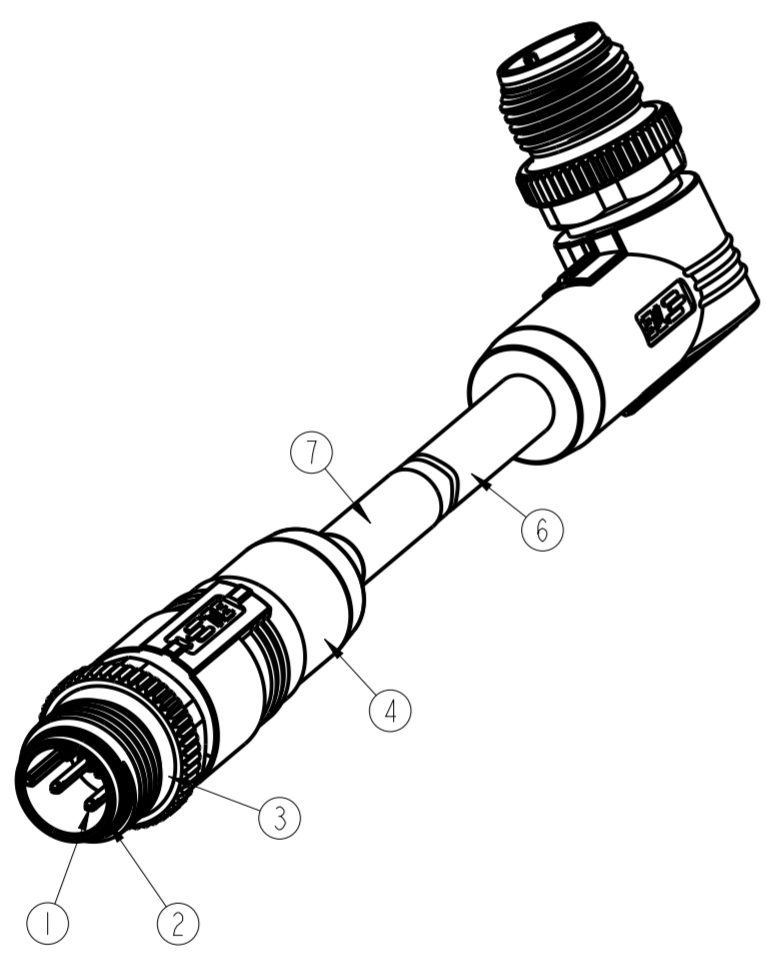
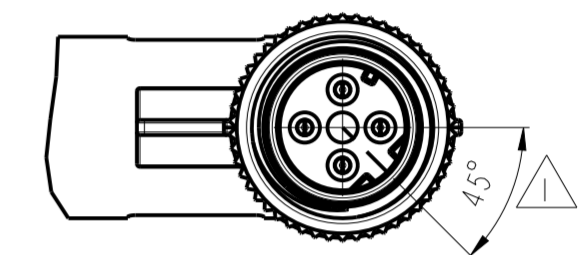
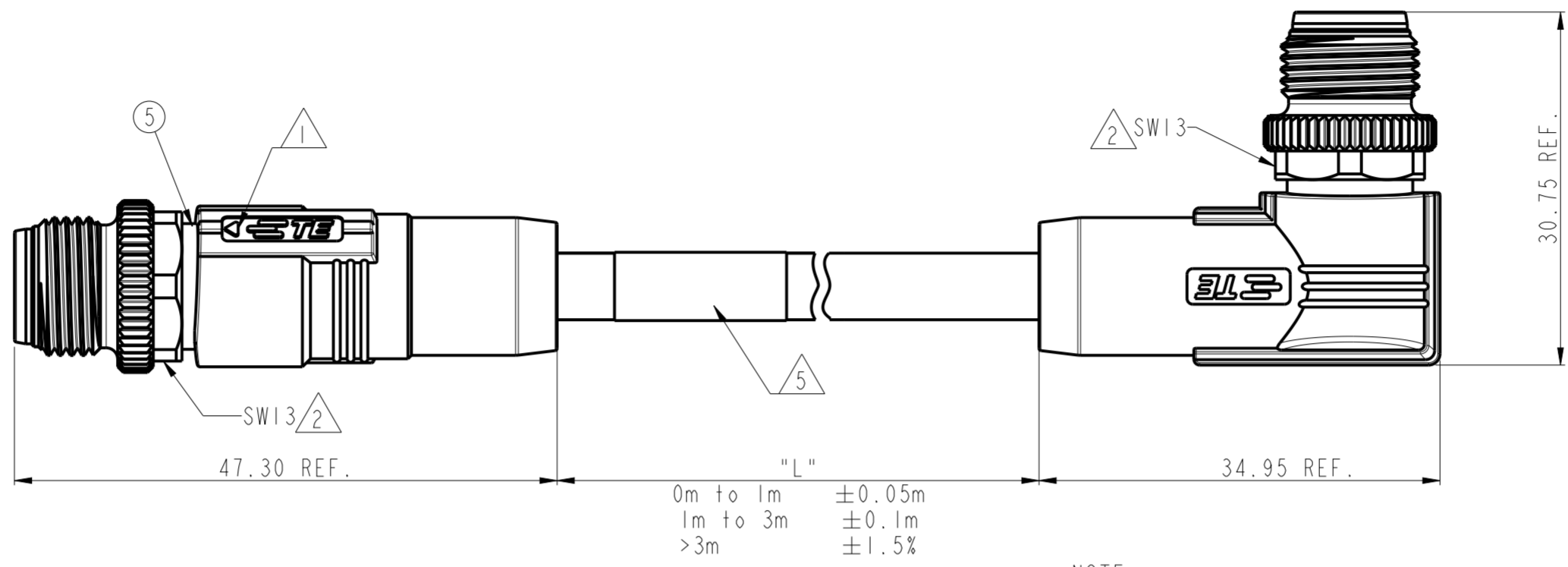


THIS DRAWING IS UNPUBLISHED. RELEASED FOR PUBLICATION 20
 © COPYRIGHT 20 BY - ALL RIGHTS RESERVED.

REVISIONS				
P	LTR	DESCRIPTION	DATE	APVD
	A	INITIAL RELEASE	08JUN2021	BP CW

ITEM	DESCRIPTION	MATERIAL	OTHERS
1	MALE CONTACT	COPPER ALLOY	GOLD PLATED
2	HOUSING	NYLON	BLACK
3	COUPLING NUT	COPPER ALLOY	NICKEL PLATED
4	OVER-MOLDING	TPU/PVC	BLACK
5	SHIELDED SHELL	COPPER ALLOY	NICKEL PLATED
6	CABLE	-	-
7	LABEL	-	-



NOTE:

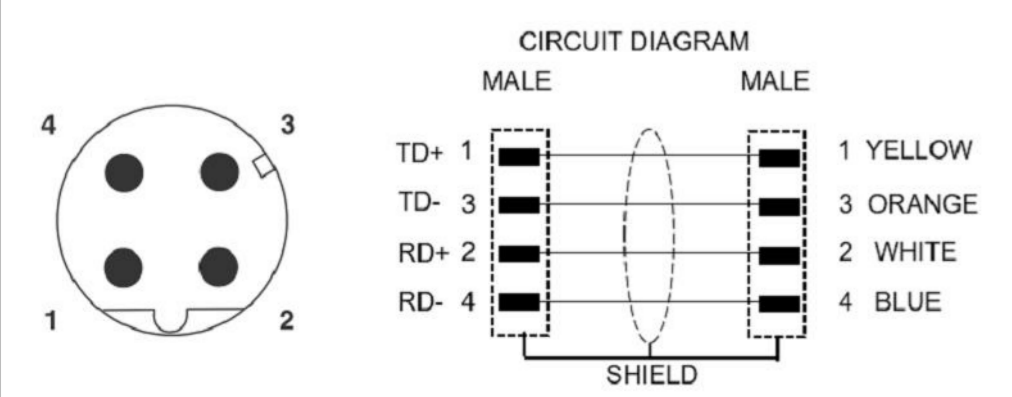
- ①. CODE POSITION INDICATOR
- ②. RECOMMENDED TORQUE 0.6 Nm
- ③. -** : CABLE LENGTH, FOR EXAMPLE: -0.5M
- ④. CABLE ASSEMBLY TO BE PACKAGED IN POLYBAGS
- ⑤. LABEL CONTAINS: PN, DATE CODE...
- ⑥. -XXX: FOR CABLE LENGTH, SEE TABLE 2 AND REFER TO LENGTH "L"

注释:

- ①. CODE位置指示
- ②. 推荐扭矩0.6 Nm
- ③. -** : 线缆长度, 例如: -0.5M
- ④. 线缆组件塑料袋包装
- ⑤. 标签包含: 产品编号, 日期代码...
- ⑥. -XXX: 线缆长度, 参考表2, 参照长度"L"

PIN ARRANGEMENT D-CODE

PIN 1	TD+	YELLOW / 黄
PIN 3	TD-	ORANGE / 橙
PIN 2	RD+	WHITE / 白
PIN 4	RD-	BLUE / 蓝



WIRES	WIRE COLOR	OD	TEMPERATURE RATING	OPERATING TEMP RATING	JACKET COLOR	JACKET MATERIAL	TYPE	POS.	TABLE 2 TE PN
WIRES: 1X4X22AWG WIRE COLOR: WHITE/YELLOW/BLUE/ORANGE OD: APPROX. 6.5MM TEMPERATURE RATING: 80°C UL OPERATING TEMP RATING: -40°C To +80°C	RED	PVC	M12D4-MS-MR-PVC TYPE B RED-**③	4	TAD14841311-XXX⑥				
WIRES: 1X4X22AWG WIRE COLOR: WHITE/YELLOW/BLUE/ORANGE OD: APPROX. 6.65MM TEMPERATURE RATING: 80°C UL OPERATING TEMP RATING: -30°C To +70°C DRAG CHAIN TEST: MIN. 1 MILLION CYCLES, DIAMETER 75MM, SPEED 2m/s, ACCELERATION 2m/s²	GREEN	PUR	M12D4-MS-MR-PUR TYPE C GREEN-**③	4	TAD14845101-XXX⑥				
WIRES: 1X4X22AWG WIRE COLOR: WHITE/YELLOW/BLUE/ORANGE OD: APPROX. 6.5MM TEMPERATURE RATING: 80°C UL OPERATING TEMP RATING: -25°C To +80°C	GREEN	FRNC	M12D4-MS-MR-FRNC TYPE B GREEN-**③	4	TAD14847101-XXX⑥				
WIRES: 1X4X22AWG WIRE COLOR: WHITE/YELLOW/BLUE/ORANGE OD: APPROX. 6.5MM TEMPERATURE RATING: 80°C UL OPERATING TEMP RATING: -40°C To +80°C	GREEN	PVC	M12D4-MS-MR-PVC TYPE B GREEN-**③	4	TAD14841111-XXX⑥				

THIS DRAWING IS A CONTROLLED DOCUMENT.

DIMENSIONS: mm	TOLERANCES UNLESS OTHERWISE SPECIFIED:
0 PLC ±	1 PLC ±
2 PLC ±	3 PLC ±
4 PLC ±	ANGLES ±
MATERIAL	FINISH

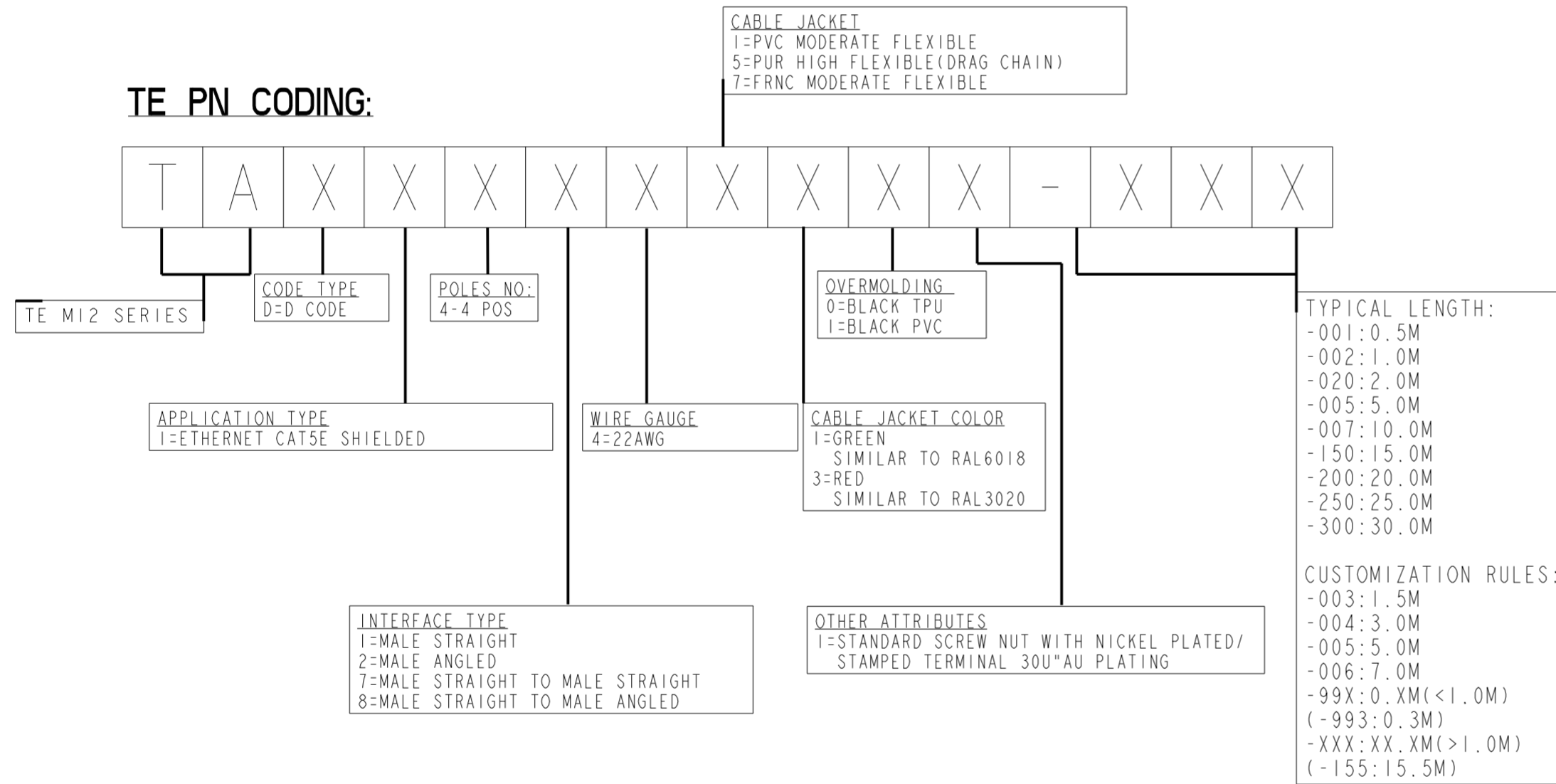
DWN: BLAZE PENG 08JUN2021	CHK: KEVIN HUANG 08JUN2021	APVD: CHRIS WANG 08JUN2021	NAME: M12 D CODE CABLE ASSY, SHIELDED 4P, MS TO MR
ENTRELEC Electrical Solutions			RESTRICTED TO
PRODUCT SPEC: 108-106140	APPLICATION SPEC: 114-137144	SIZE: A2	CAGE CODE: -
CUSTOMER DRAWING		SCALE: 2:1	SHEET 1 OF 2 REV A

THIS DRAWING IS UNPUBLISHED. RELEASED FOR PUBLICATION 20
 © COPYRIGHT 20 BY - ALL RIGHTS RESERVED.

REVISIONS				
P	LTR	DESCRIPTION	DATE	APVD
-		SEE SHEET 1	-	-

TECHNICAL DATA	
RATED VOLTAGE	250V 30V(UL)
RATED CURRENT	4A 1.5A(UL)
POLLUTION DEGREE	3
OVERVOLTAGE CATEGORY	II
MATERIAL GROUP	II
DEGREE OF PROTECTION	IP67

TE PN CODING:



MI2D4-MS-MR-PVC TYPE B-0.5M	TADI4841111-001	ISET315395R0000
MI2D4-MS-MR-PVC TYPE B-1.0M	TADI4841111-002	ISET315396R0000
MI2D4-MS-MR-PVC TYPE B-5.0M	TADI4841111-005	ISET315397R0000
MI2D4-MS-MR-PVC TYPE B-2.0M	TADI4841111-020	ISET315399R0000
MI2D4-MS-MR-PUR TYPE C GREEN-0.5M	TADI4845101-001	ISET315413R0000
MI2D4-MS-MR-PUR TYPE C GREEN-1.0M	TADI4845101-002	ISET315414R0000
MI2D4-MS-MR-PUR TYPE C GREEN-5.0M	TADI4845101-005	ISET315415R0000
MI2D4-MS-MR-PUR TYPE C GREEN-2.0M	TADI4845101-020	ISET315417R0000
DESCRIPTION	TE PN	ENTRELEC PN

THIS DRAWING IS A CONTROLLED DOCUMENT.

DWN: 08JUN2021
 BLAZE PENG
 CHK: 08JUN2021
 KEVIN HUANG
 APVD: 08JUN2021
 CHRIS WANG

ENTRELEC
 Electrical Solutions

NAME: MI2 D CODE CABLE ASSY, SHIELDED
 4P, MS TO MR

PRODUCT SPEC: 108-106140
 APPLICATION SPEC: 114-137144

SIZE: A2
 CAGE CODE: -
 DRAWING NO: ISET311A12R0000
 RESTRICTED TO: -

MATERIAL: -
 DIMENSIONS: mm
 TOLERANCES UNLESS OTHERWISE SPECIFIED:
 0 PLC ±
 1 PLC ±
 2 PLC ±
 3 PLC ±
 4 PLC ±
 ANGLES ±
 FINISH -

WEIGHT: -
 CUSTOMER DRAWING

SCALE: 2:1
 SHEET: 2 OF 2
 REV: A