

DRAWING MADE IN THIRD ANGLE PROJECTION

3

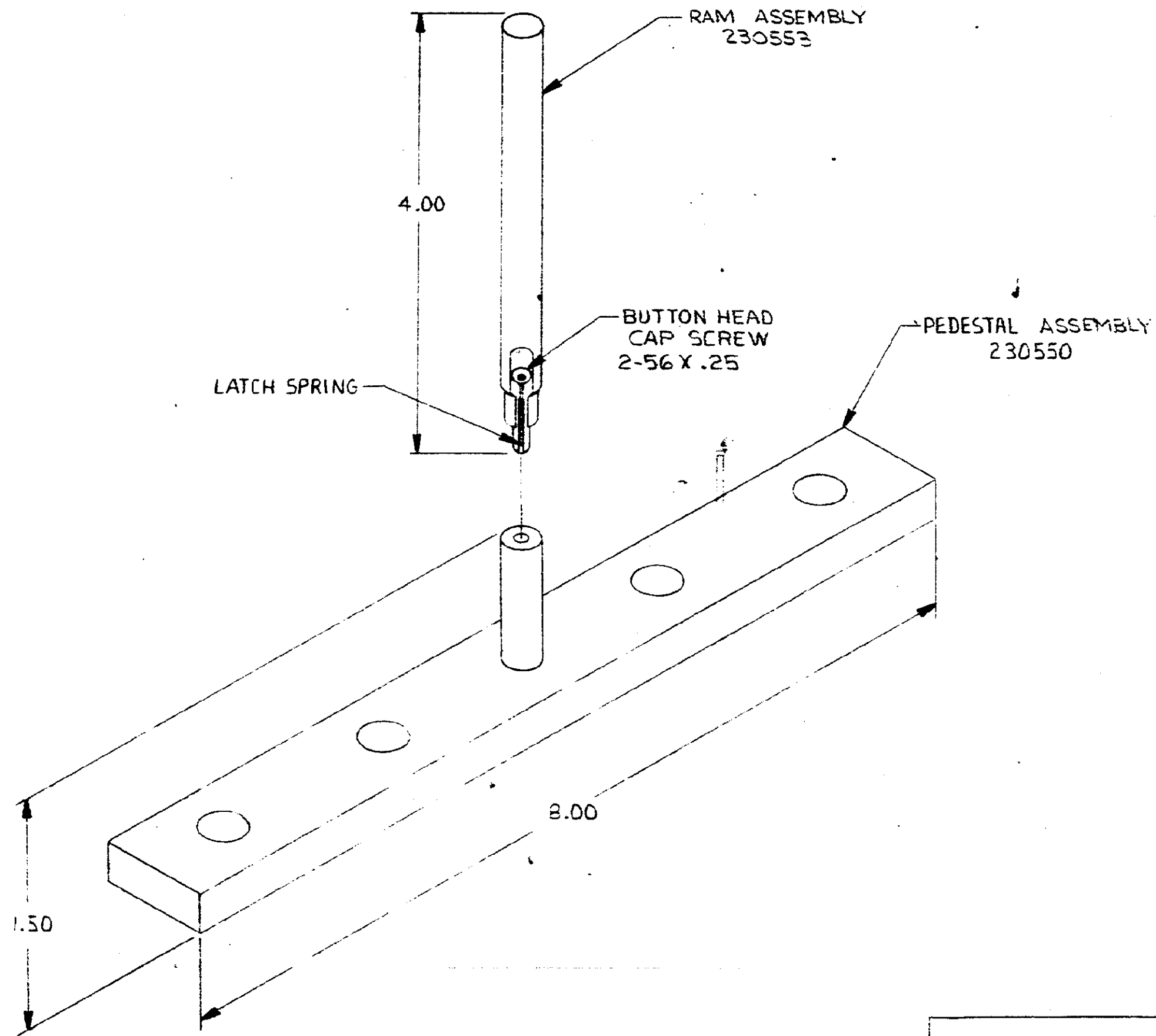
2

1

LOC AA DIST 85/2

© COPYRIGHT 1978 BY AMP INCORPORATED, HARRISBURG, PA. ALL INTERNATIONAL RIGHTS RESERVED, AMP INCORPORATED PRODUCTS COVERED BY U. S. AND FOREIGN PATENTS AND/OR PATENTS PENDING.

REVISIONS					
P	F	ZONE	LTR	DESCRIPTION	DATE APPROVED
0		0		RELEASED	8-14-78 <i>REL</i>
A		A		REV PER ECN S-1259	8/18/78 <i>REL</i>
B		B		ADD-3 & -4 PER NPI C80-86	8/24/78 <i>CB</i>
C		C		REV PER ECN AA-630	2/23/80 <i>CB</i>
D		D		REV PER ECN AA-945	4/25/80 <i>CB</i>



- 1 MATERIAL: PEDESTAL ASSEMBLY - CARBON STEEL
SCREW - ALLOY STEEL
LATCH SPRING - STEEL MUSIC WIRE
TERMINAL RAM - TOOL STEEL
- 2 FINISH: ALL PARTS BLACK OXIDE.
- 3. ALL DIMENSIONS FOR REFERENCE ONLY.
- 4. INSTRUCTION SHEET INCLUDED IN KIT.

.090 DIA TERMINAL	230549-4
.070 DIA TERMINAL	230549-3
.156 DIA TERMINAL	230549-2
.125 DIA TERMINAL	230549-1
DESCRIPTION	PART NO

UNLESS OTHERWISE SPECIFIED DIMENSIONS ARE IN INCHES. TOLERANCES ON: DECIMALS ± .01 ANGLES ± .5°	CONTRACT NO	AMP INCORPORATED Harrisburg, Pa.		
	DR <i>Amy Holt</i> 8-14-78			
	MATERIAL	CHK <i>R. Rauch</i> 8-15-78	NAME KIT, INSERTION, TERMINAL, AMP-BARREL	
	FINISH	APPD <i>R Sooy</i> 9-27-78 APPD <i>A de Pot</i> 5-16-80 DSGN APPD <i>A de Pot</i> 5-16-80 OTHER APPD <i>Reland</i> 6/2/80	SIZE C	CODE IDENT NO 00779
SCALE 1/1		SHEET 1/1		

230549