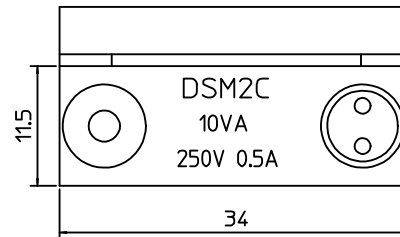
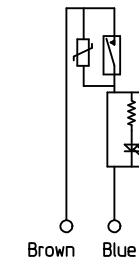


Sensor provided with M8 round connector 2.5m

Tampo print out



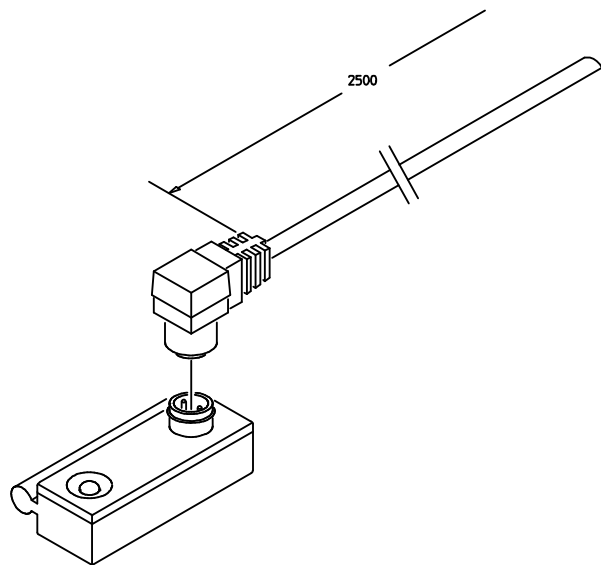
ELECTRICAL DIAGRAM



Engineering No.: 1211500025

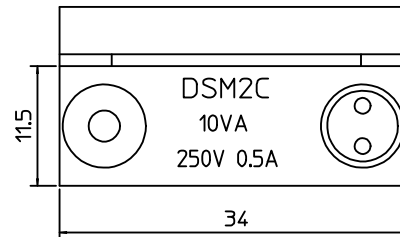
TECHNICAL FEATURES	
Tension in AC	3-230 Volt
Tension in DC	3-230 Volt
Power (inductive)	10 VA
On time	0.5 ms
Off time	0.1 mS
Electric life	10 <sup>7</sup> imp.

ORIGINAL RELEASE EC NO: IPG2016-0461 DRWN: JMARSZALEK 2013/11/28 CHKD: MSZWAJKOWSKI 2013/11/28 APPR: MIWASIECZKO 2015/09/28	DESCRIPTION REV	QUALITY SYMBOLS	GENERAL TOLERANCES (UNLESS SPECIFIED)	DIMENSION STYLE	SCALE	DESIGN UNITS	THIRD ANGLE PROJECTION																		
		= 0 = 0	<table border="1"> <thead> <tr> <th></th> <th>mm</th> <th>INCH</th> </tr> </thead> <tbody> <tr> <td>4 PLACES</td> <td>± ---</td> <td>± ---</td> </tr> <tr> <td>3 PLACES</td> <td>± ---</td> <td>± ---</td> </tr> <tr> <td>2 PLACES</td> <td>± ---</td> <td>± ---</td> </tr> <tr> <td>1 PLACE</td> <td>± ---</td> <td>± ---</td> </tr> <tr> <td>0 PLACE</td> <td>± ---</td> <td>± ---</td> </tr> </tbody> </table>		mm	INCH		4 PLACES	± ---	± ---	3 PLACES	± ---	± ---	2 PLACES	± ---	± ---	1 PLACE	± ---	± ---	0 PLACE	± ---	± ---	MM ONLY	-	METRIC
			mm	INCH																					
		4 PLACES	± ---	± ---																					
		3 PLACES	± ---	± ---																					
2 PLACES	± ---	± ---																							
1 PLACE	± ---	± ---																							
0 PLACE	± ---	± ---																							
	ANGULAR ± --- °	DRAWN BY	DATE	TITLE																					
	DRAFT WHERE APPLICABLE MUST REMAIN WITHIN DIMENSIONS	JMARSZALEK	2013/11/28	<b>REED SWITCH LED+VDR- 2.5M PLUG</b>																					
A		MSZWAJKOWSKI	2013/11/28																						
		MIWASIECZKO	2015/09/28																						
					DOCUMENT NO.																				
				1211500025	SD-121150-001	SHEET NO.	1 OF 1																		
				SIZE	THIS DRAWING CONTAINS INFORMATION THAT IS PROPRIETARY TO MOLEX INCORPORATED AND SHOULD NOT BE USED WITHOUT WRITTEN PERMISSION																				

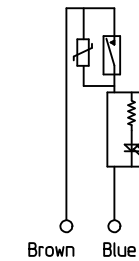


Sensor provided with M8 round connector 2.5m

Tampo print out



ELECTRICAL DIAGRAM



Engineering No.: 1211500025

TECHNICAL FEATURES	
Tension in AC	3~230 Volt
Tension in DC	3~230 Volt
Power (inductive)	10 VA
On time	0.5 ms
Off time	0.1 mS
Electric life	10 <sup>7</sup> imp.

ORIGINAL RELEASE EC NO: IPG2016-0461 DRWN: JMARSZALEK 2013/11/28 CHKD: MSZWAJKOWSKI 2013/11/28 APPR: MIWASIECZKO 2015/09/28	QUALITY SYMBOLS =0 =0	GENERAL TOLERANCES (UNLESS SPECIFIED)		DIMENSION STYLE MM ONLY		SCALE -	DESIGN UNITS METRIC	THIRD ANGLE PROJECTION		
			mm	INCH	DRAWN BY JMARSZALEK	DATE 2013/11/28	TITLE <b>REED SWITCH LED+VDR- 2.5M PLUG</b>			
		4 PLACES	± ---	± ---	CHECKED BY MSZWAJKOWSKI	DATE 2013/11/28				
		3 PLACES	± ---	± ---	APPROVED BY MIWASIECZKO	DATE 2015/09/28				
		2 PLACES	± ---	± ---	MATERIAL NO. 1211500025					DOCUMENT NO. SD-121150-001
1 PLACE	± ---	± ---	DRAFT WHERE APPLICABLE MUST REMAIN WITHIN DIMENSIONS		THIS DRAWING CONTAINS INFORMATION THAT IS PROPRIETARY TO MOLEX INCORPORATED AND SHOULD NOT BE USED WITHOUT WRITTEN PERMISSION					
0 PLACE	± ---	± ---	ANGULAR ± --- °							
A	REV									