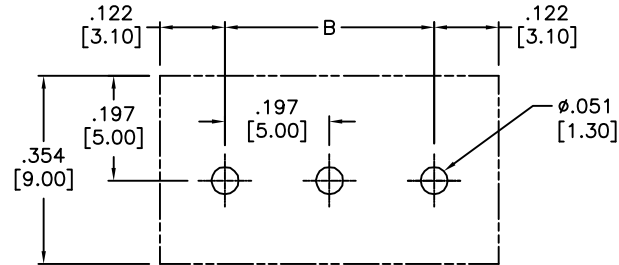
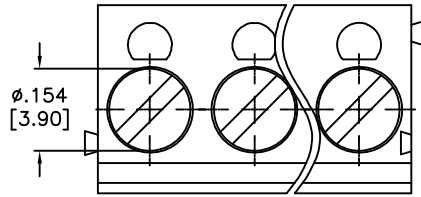


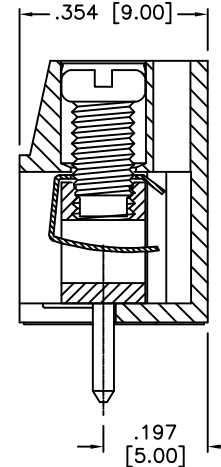
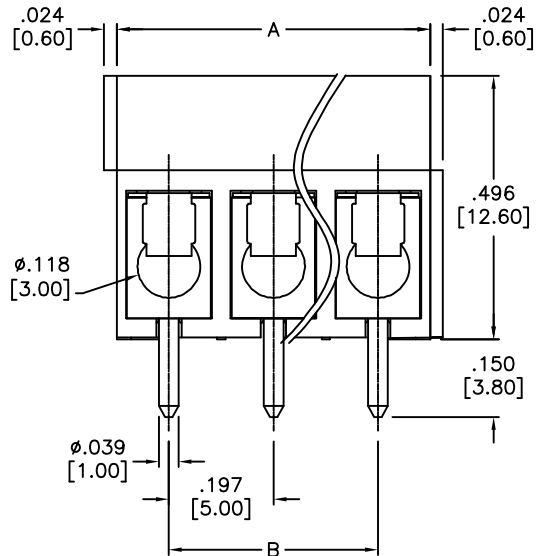
APPROVED: _____

DATE: _____ TITLE: _____

Rev	AWO #	Description	Date	Appr
-		RELEASED	10/6/17	



RECOMMENDED P.C.B. LAYOUT



SPECIFICATIONS:

Material:
 Insulator: Thermoplastic, rated UL 94V-0
 Insulator color: Green
 Wire guard: Stainless Steel
 Contact: Brass, Tin plated
 Screw: Steel, M3/Zn plated

Electrical:
 Voltage rating: 250 VAC
 Current rating: 16 Amp
 Withstanding Voltage: 1.5KV

Mechanical :

Wire range: 0.5-2.5mm²
 Solid wire(AWG): 14-26
 Stranded wire(AWG): 14-26
 Torque: 2.6 Lb-In/0.5Nm
 Wire strip length: 6-7mm

Temperature Rating:
 Operating temperature: -40°C to +115°C

Environmental:
 Lead free, RoHS compliant.



Positions: 02 thru 24
 A = .197 [5.00] x No. of Positions
 B = .197 [5.00] x No. of Spaces

	Dim A	Dim B
2-6P	±.006 [0.15]	±.004 [0.10]
7-12P	±.008 [0.20]	±.008 [0.20]
13-18P	±.012 [0.30]	±.010 [0.25]
19-24P	±.016 [0.40]	±.012 [0.30]

UNLESS OTHERWISE SPECIFIED
 ALL DIMENSIONS ARE MM [INCHES]
 TOLERANCES: EXCEPT AS NOTED

INCHES		HOLES	
.X	± .10	Ø.X	±.10
.XX	± .020	Ø.XX	±.015
.XXX	± .015	Ø.XXX	±.010

ADAM TECH

909 Rahway Avenue, Union, NJ 07083
 Phone: 908-687-5000 Fax: 908-687-5710

TITLE
 .197" [5.00] PITCH, TERMINAL BLOCK

APPROVALS		DATE
DRAWN	AY	10/6/17
CHECKED	IC	10/6/17
APPROVED		

SIZE	PART NO.	REV.
X	EBA-XX-C	-
REF: S00007T	SCALE: NTS	SHEET 1 OF 1