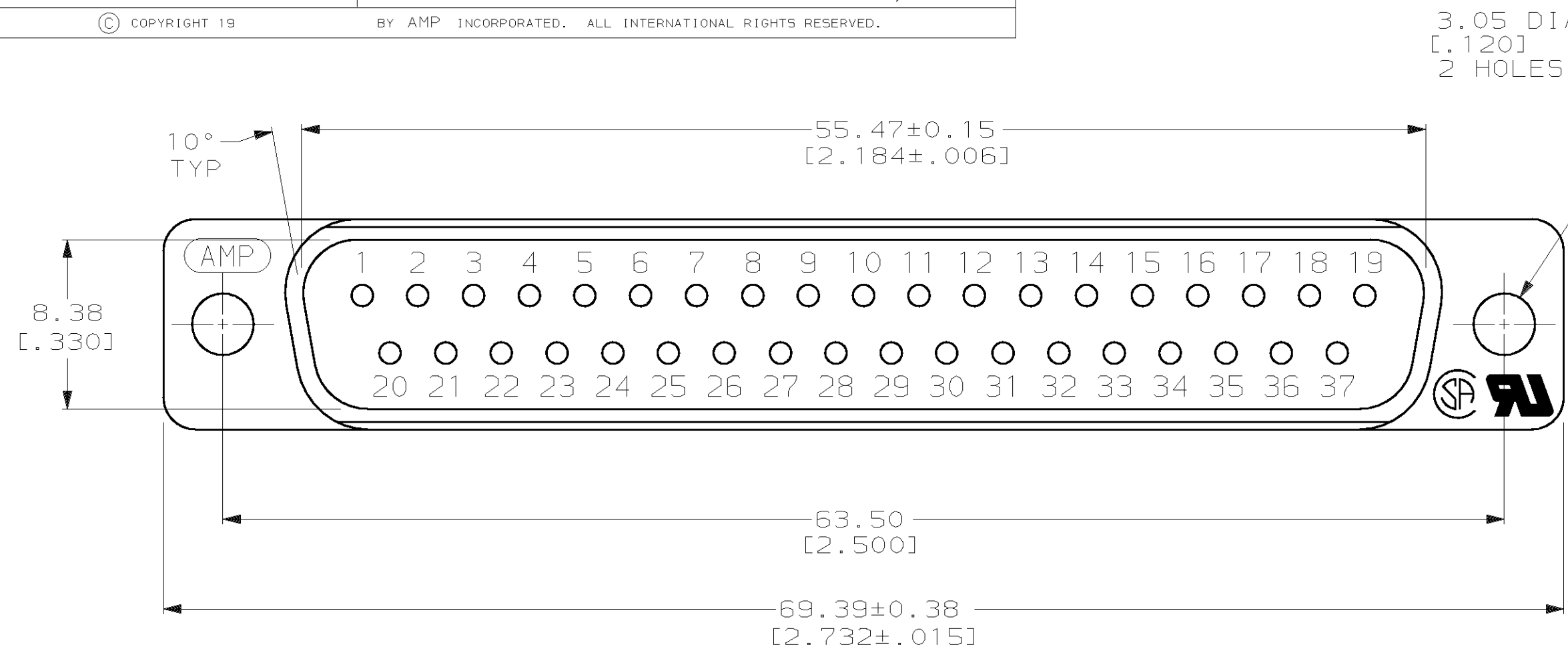
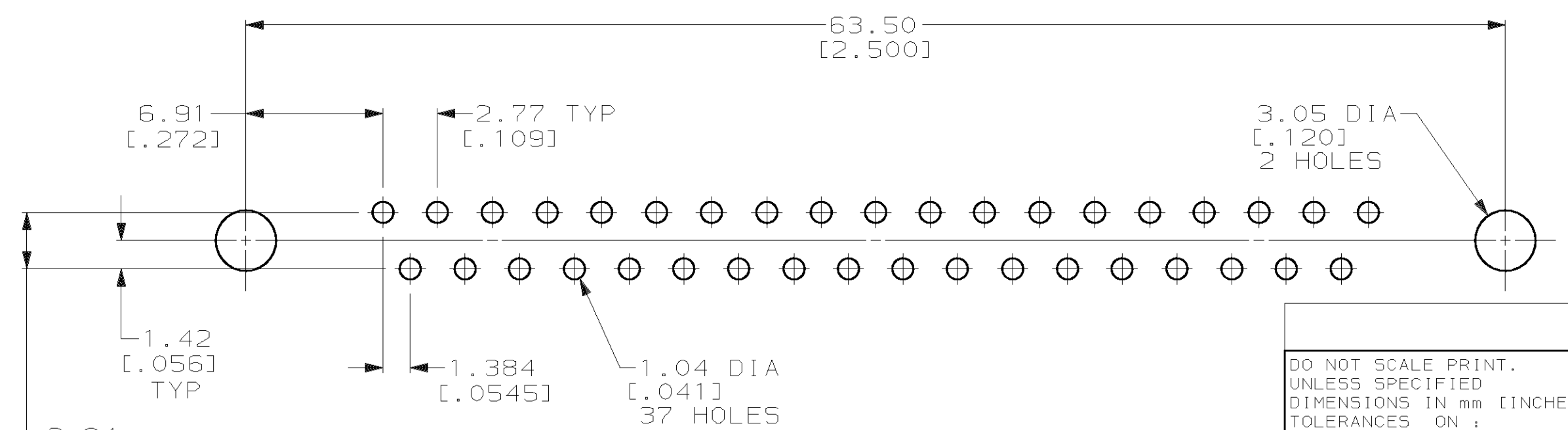
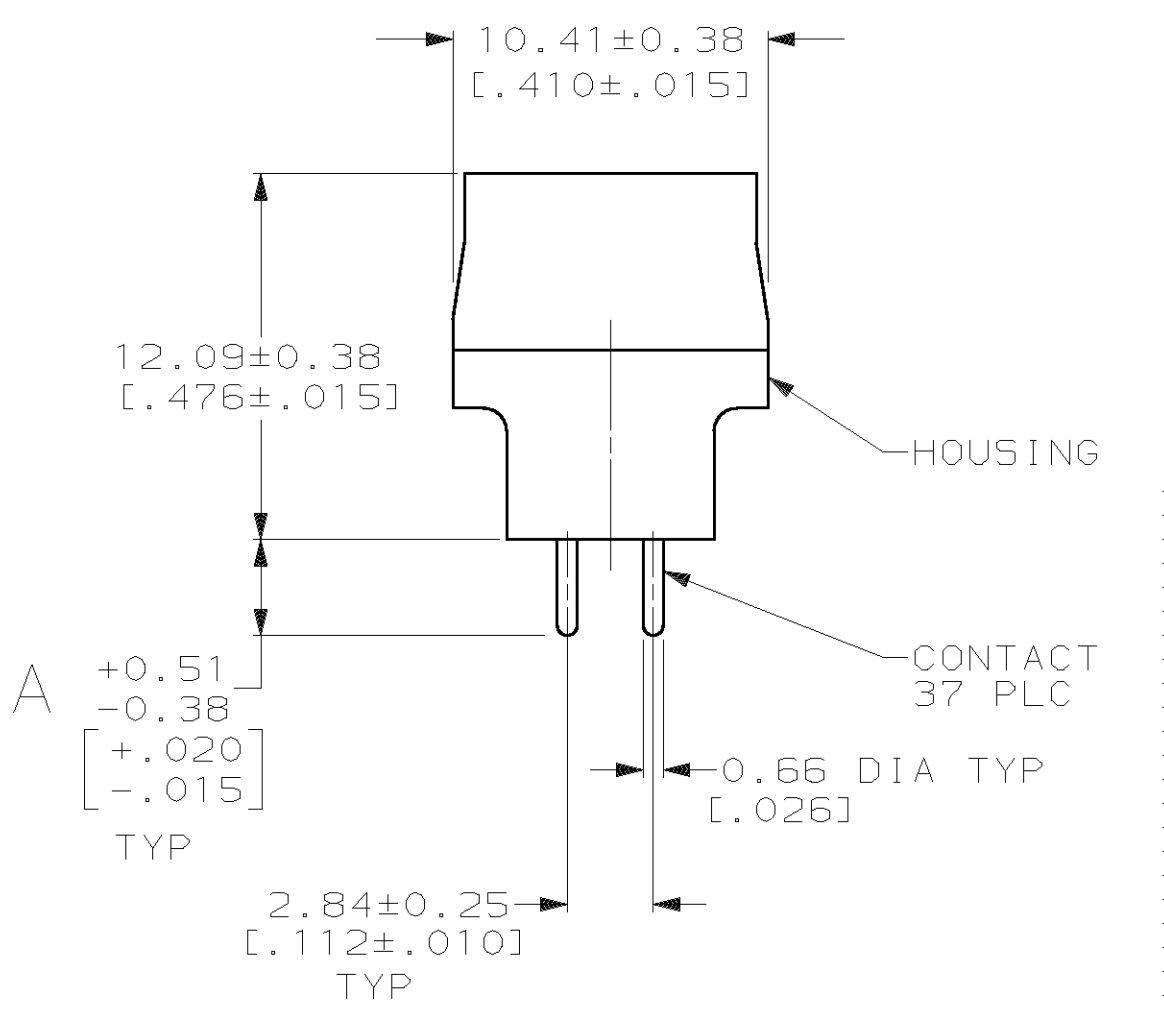
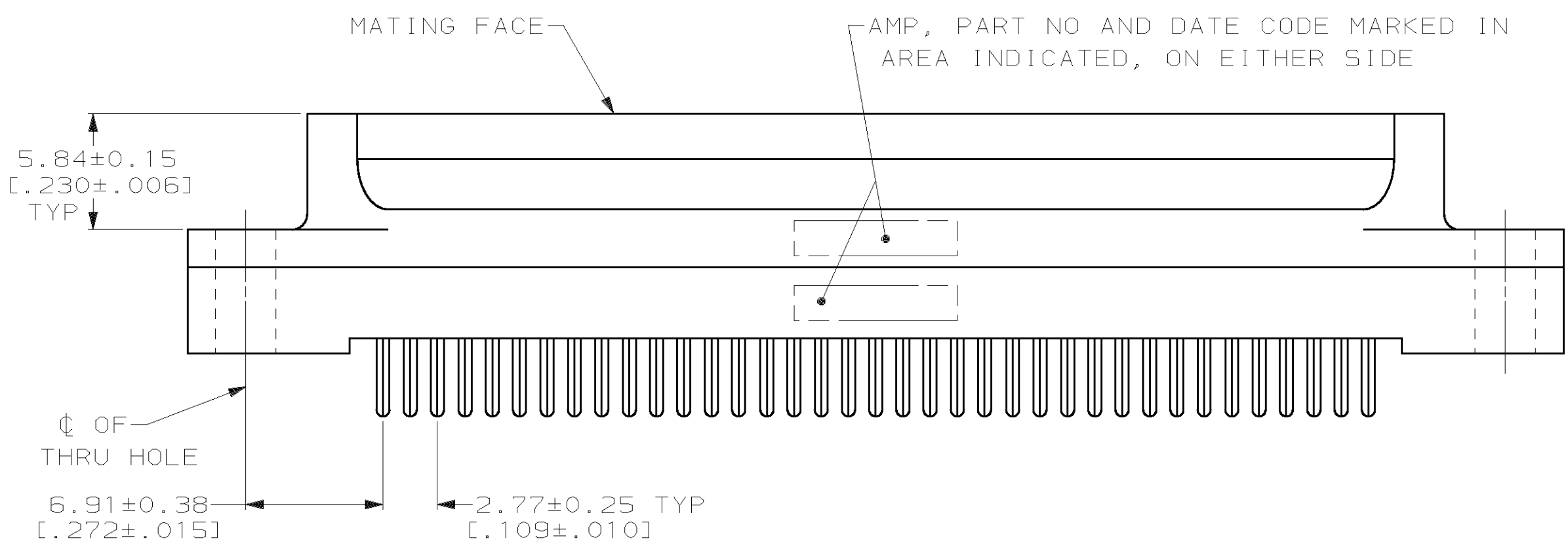


THIS DRAWING IS UNPUBLISHED. RELEASED FOR PUBLICATION
 © COPYRIGHT 19 BY AMP INCORPORATED. ALL INTERNATIONAL RIGHTS RESERVED.

| LOC | DIST | P | F | ZONE | LTR | DESCRIPTION | DATE | APPD |
|-----|------|---|---|------|-----|-------------------------------------|-----------|------|
| BD | 77 | | | | E | REDRAWN & REVISED, ECN BD3361 | 11-89 | - |
| | | | | | F | OBS-4, -5, -6 PER EC 0020-964-93 | 04/11/94 | CR |
| | | | | | G | SUPERSEDED -2 PER EC 0020-506-96 | 06 MAR 97 | RT |
| | | | | | H | REV PER EC 0640-421-98 | 17 MAR 99 | RT |



- 1 HOUSING: BLACK POLYESTER, UL 94V-0 RATED; CONTACT: BRASS PER MIL-C-50.
- 2 GOLD PLATING PER MIL-G-45204, TIN PLATING PER MIL-T-10727, NICKEL PLATING PER QQ-N-290.
- 3 GOLD PLATED FOR A LENGTH OF 3.81 [.150] MIN FROM MATING END, GOLD FLASH IN MATED AREA, 2.54µm [.000100] MIN TIN OR TIN-LEAD FOR A LENGTH OF DIMENSION A FROM OPPOSITE END, ALL OVER 1.27µm [.000050] MIN NICKEL.
- 4 0.76µm [.000030] MIN GOLD FOR A LENGTH OF 3.81 [.150] MIN FROM MATING END, 2.54µm [.000100] MIN TIN OR TIN-LEAD FOR A LENGTH OF DIMENSION A FROM OPPOSITE END, ALL OVER 1.27µm [.000050] MIN NICKEL.



| | A | CONTACT FINISH | PART NO |
|-------------------|-------------|----------------|----------|
| OBSOLETE | 6.35 [.250] | 4 | 208009-6 |
| OBSOLETE | 6.35 [.250] | 3 | 208009-5 |
| OBSOLETE | 4.32 [.170] | 4 | 208009-4 |
| | 4.32 [.170] | 3 | 208009-3 |
| SUPSD BY 208009-1 | 3.18 [.125] | 4 | 208009-2 |
| | 3.18 [.125] | 3 | 208009-1 |

RECOMMENDED PC BOARD MOUNTING DIMENSIONS

| | | |
|--|--|--|
| DO NOT SCALE PRINT. UNLESS SPECIFIED DIMENSIONS IN mm [INCHES] TOLERANCES ON: 2 PLC DEC ± 0.13 [.005] 3 PLC DEC ± - ANGLES ± 2° | DR 11-14-89 J McCLINTON CHK 1-31-90 R.STONE APPD 2-2-90 S.SCHIEFERLY APPD 2-5-90 C.ROHDE PRODUCT SPEC 108-40025 APPLICATION SPEC - WEIGHT - | AMP INCORPORATED Harrisburg, Pa. 17105 NAME PLUG ASSEMBLY, SIZE 4, 37 POSN, VERTICAL, AMPLIMITE® HD-20 SIZE C CAGE CODE 00779 DRAWING NO 208009 SCALE 4:1 SHEET 1 OF 1 |
| FINISH 2 CONTACT: SEE TABLE | | |