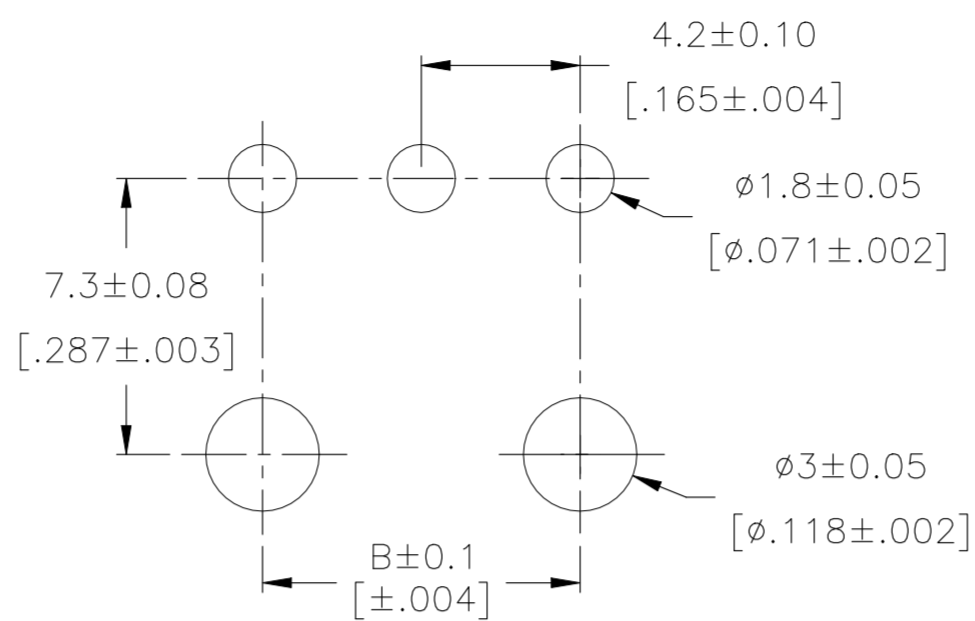
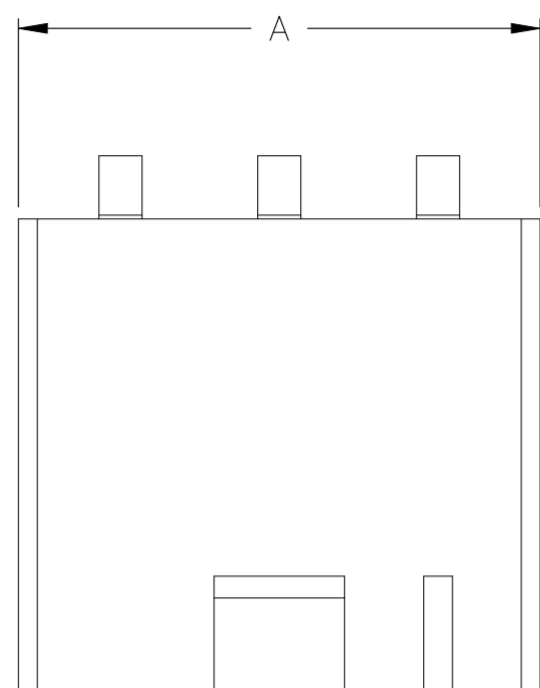
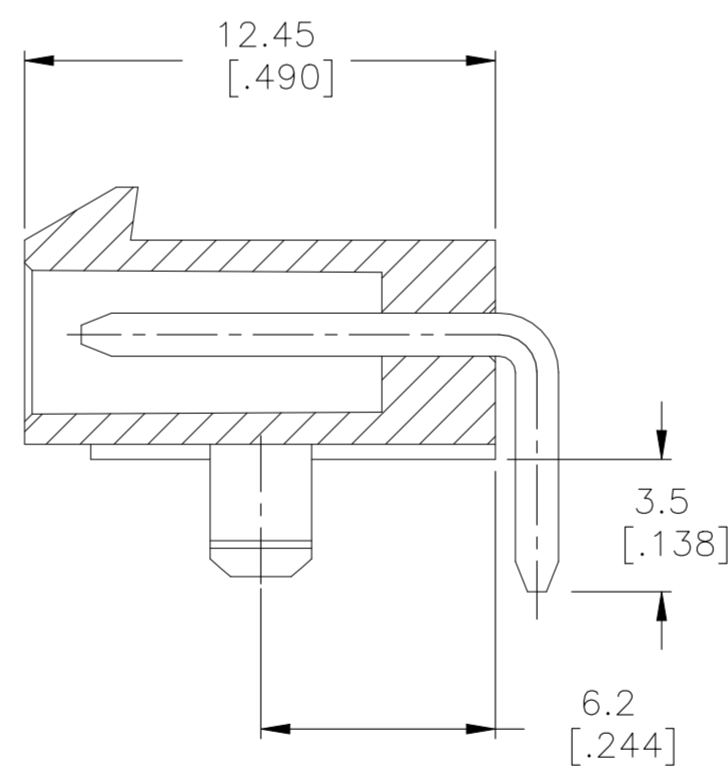
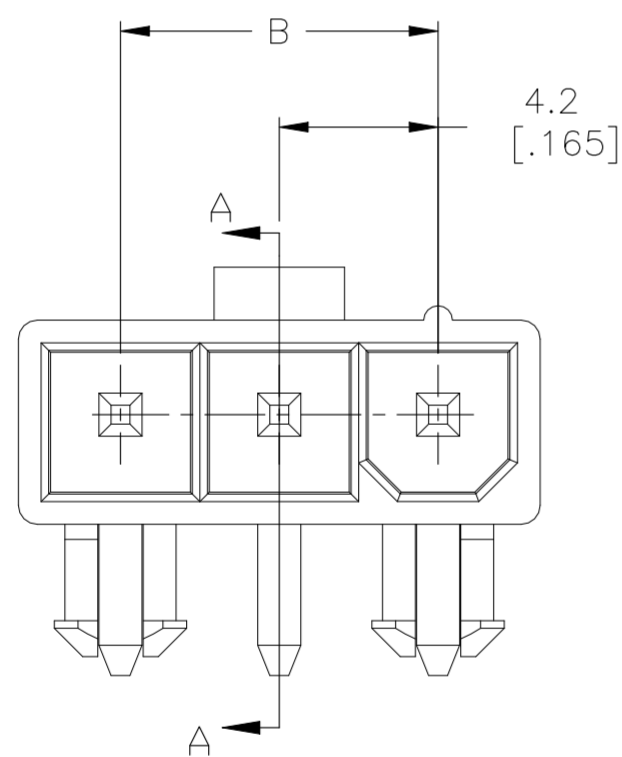


REVISIONS					
P	LTR	DESCRIPTION	DATE	DWN	APVD
B		REVISED PER ECR-22-133159	13MAY2022	P.C	D.Z

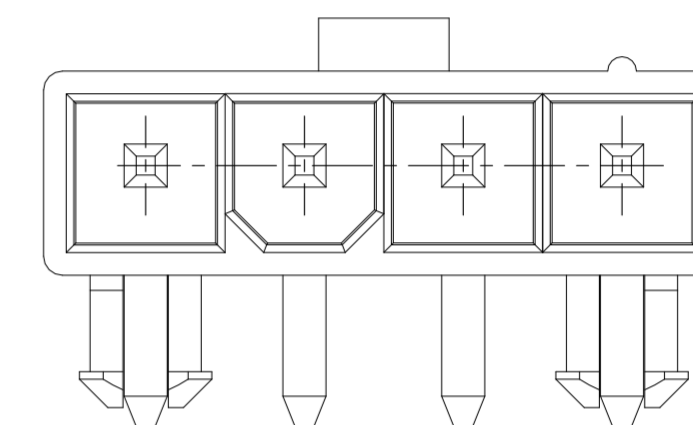


RECOMMENDED MOUNTING HOLE PATTERN FOR 1.78 [.070] MAX THK P.C. BOARD

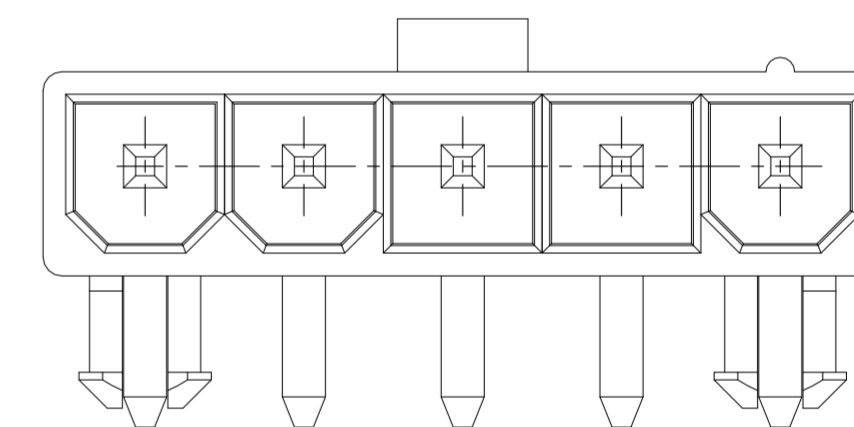


SECTION A-A

1 MATERIAL: HOUSING: NYLON, UL94V-0 CONTACTS: BRASS, TIN-PLATED



2029151-4 MATING FACE



2029151-5 MATING FACE

2029151-3 SHOWN

5	16.8 [.661]	22.2 [.874]	2029151-5
4	12.6 [.496]	18 [.709]	2029151-4
3	8.4 [.330]	13.8 [.543]	2029151-3
POS	B	A	PART NUMBER

THIS DRAWING IS A CONTROLLED DOCUMENT.		DWN K. WHITAKER 14OCT2008	STE TE Connectivity	
DIMENSIONS: mm [INCHES]		CHK C. CASH 14OCT2008		
TOLERANCES UNLESS OTHERWISE SPECIFIED:		APVD C. CASH 14OCT2008	NAME	
0 PLC ±		PRODUCT SPEC	RIGHT ANGLE HEADER, WITH PEGS, 94V-0, VAL-U-LOK(TM)	
1 PLC ± 0.13 [.005]		APPLICATION SPEC	SIZE	RESTRICTED TO
2 PLC ± 0.13 [.005]		WEIGHT	CAGE CODE	DRAWING NO
3 PLC ± -		0.000000	A2	00779
4 PLC ± -		CUSTOMER DRAWING	SCALE	SHEET
ANGLES ±		5:1	5:1	1 of 1
FINISH		1	REV	B

METRIC