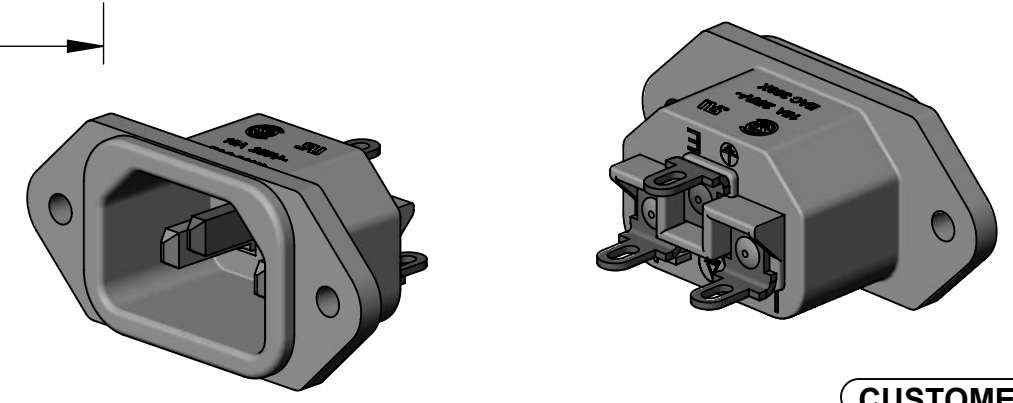


- NOTES:
- (C)(B) 1. AGENCY IDENTIFICATION & RATING:
UL & CSA: 15A 250V~
 - 2. MEETS IEC 60320 SPECIFICATION
 - 3. MATERIALS:
HOUSING: BLACK POLYESTER
TERMINALS: TIN PLATED COPPER ALLOY
CONTACT PINS: TIN PLATED COPPER ALLOY
 - 4. THIS PRODUCT IS RoHS COMPLIANT.



CUSTOMER DRAWING

UNLESS OTHERWISE SPECIFIED 1. ALL DIMENSIONS IN INCHES [mm] - TWO PLACE DECIMALS ±0.02 [0.5] - THREE PLACE DECIMALS ±0.005 [0.13]					THIS DRAWING DESCRIBES A DESIGN CONSIDERED PROPRIETARY IN NATURE, DEVELOPED AND MANUFACTURED BY SWITCHCRAFT INC. AND IS RELEASED ON A CONFIDENTIAL BASIS FOR IDENTIFICATION PURPOSES ONLY.					
					SIZE	WIDTH	MULT	LBS/M	TEMPER	
REVISIONS C 28549 01/16/23 PC TJK B 28175 6/4/19 TJK TJK A 26895 12/16/11 BL TJK					FINISH		MATERIAL			
					SPEC No.		SPEC No.			
DO NOT SCALE DRAWING					FIRST USED ON		SCALE 2:1			
					DATE DRAWN	BY	CHKD	APVD	Switchcraft®	
SolidWorks CAD File (B)					11/17/11	BL	BL	TJK	SHEET 1 OF 1	
					NAME MALE AC RECEPTACLE STD SOLDER TERMINALS, RoHS					PART No. EAC309X