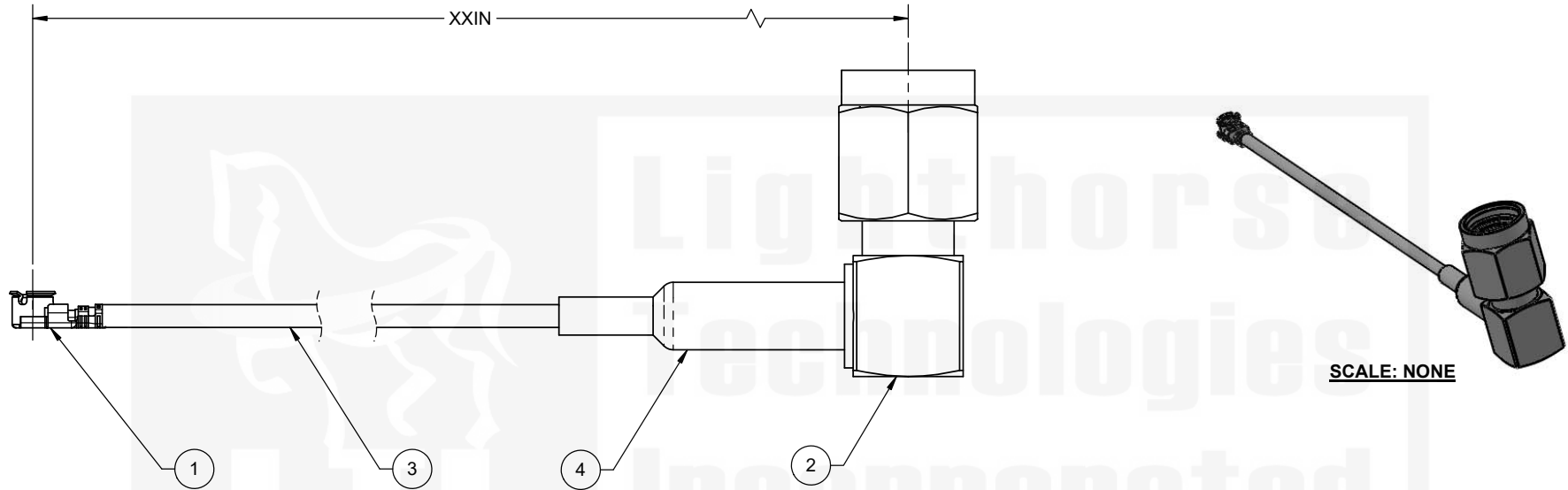


-XX IN THE ENDING OF THE CABLE PART NUMBER IS CALLING OUT THE LENGTH OF THE ASSEMBLY FROM CENTER TO MATING FLANGE OF CONNECTORS. EXAMPLES SHOWN BELOW:

LTI P/N: CB1.32D-IPX-SALRMGT-4IN (4 INCHES)  
 CB1.32D-IPX-SALRMGT-10IN (10 INCHES)

REVISIONS				
REV	ECR	DESCRIPTION	DRAWN	DATE
1		PRODUCTION RELEASE	M. LARSEN	08/04/2022



ITEM	PART NUMBER	DESCRIPTION	QTY
1	IPXLF11GPB-132	IPX (MHF1), RHT ANGLE, JACK, CABLE CRIMP (I-PEX 20278-112R-32)	1
2	SALRM11GT-316	SMA, RIGHT ANGLE, REV POL PLUG, CABLE CRIMP	1
3	1.32D MICRO COAX	CABLE, 1.32D DOUBLE SHIELDED MICRO COAX, GREEN	AR
4	1635F-1/8"	.125 (1/8) DIA, .75 LENGTH, GREEN	1

IPX® AND MHF® ARE REGISTERED TRADEMARKS OF I-PEX CO., LTD. CORPORATION

DO NOT SCALE DRAWING			Lighthouse Technologies	
TOLERANCES UNLESS OTHERWISE SPECIFIED			San Diego, CA WWW.FPCONNECTOR.COM	
DIMENSIONS ARE IN MILLIMETERS			TITLE: CABLE ASSEMBLY,	
X = ±0.5 XX = ±0.25 XXX = ±0.13 ANGLE = ±30°			IPX (MHF1), R/A JACK, CRIMP TO RP-SMA, R/A PLUG, CRIMP USING 1.32D MICRO COAX, GREEN	
SIGN / DATE:		SIZE	PART/DWG. NO:	REV
ENG APPR.	P. BURDGE 08/04/2022	B	CB1.32D-IPX-SALRMGT-xxIN	A
CHECKED	M. HELD 08/04/2022	SCALE: 4:1 FILE NAME SHEET 1 OF 1		
DRAWN	M. LARSEN 08/04/2022			
NAME	DATE			

PROPRIETARY AND CONFIDENTIAL

UNLESS OTHERWISE SPECIFIED, THIS DOCUMENT CONTAINS LIGHORSE TECHNOLOGIES INFORMATION. REPRODUCTION, USE, DISCLOSURE OR TRANSMITTAL OF ALL OR ANY PART OF THIS DOCUMENT IS PROHIBITED EXCEPT TO THE EXTENT APPROVED IN WRITING BY AN AUTHORIZED REPRESENTATIVE OF LIGHORSE TECHNOLOGIES. LIGHORSE TECHNOLOGIES RESERVES ALL RIGHTS UNDER PATENTS, TRADEMARKS, COPY RIGHTS AND TRADE SECRETS. COPY RIGHTS OF LIGHORSE TECHNOLOGIES 2011, ALL RIGHTS RESERVED.

