

NUMBER C-174683



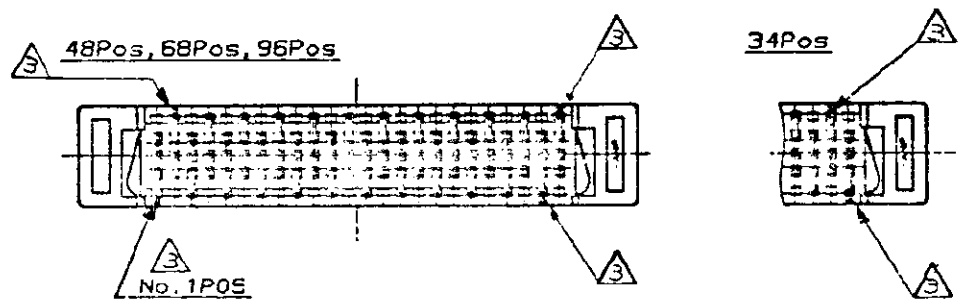
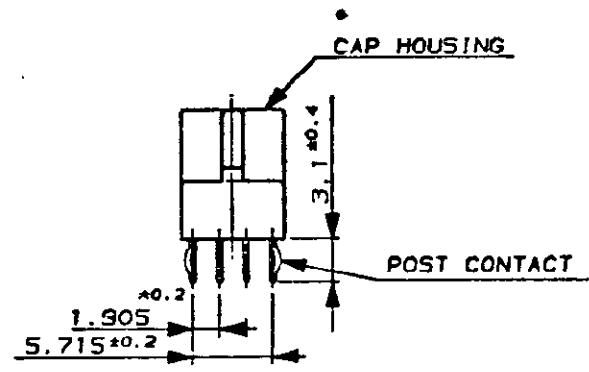
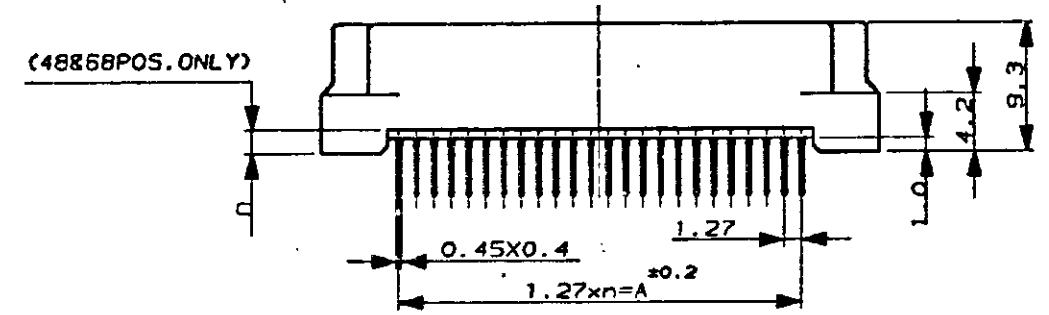
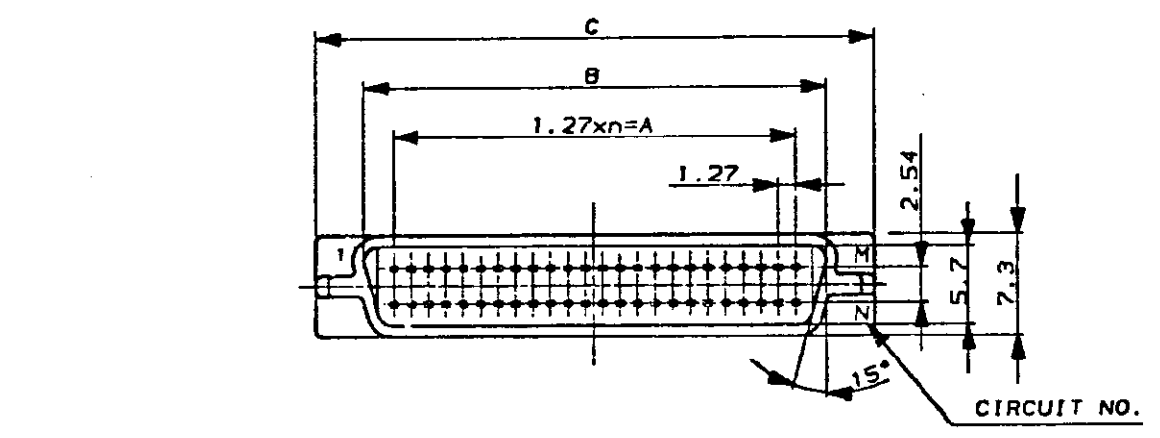
METRIC

APR 3 '81

DIMENSIONS IN MILLIMETERS. DO NOT SCALE PRINT

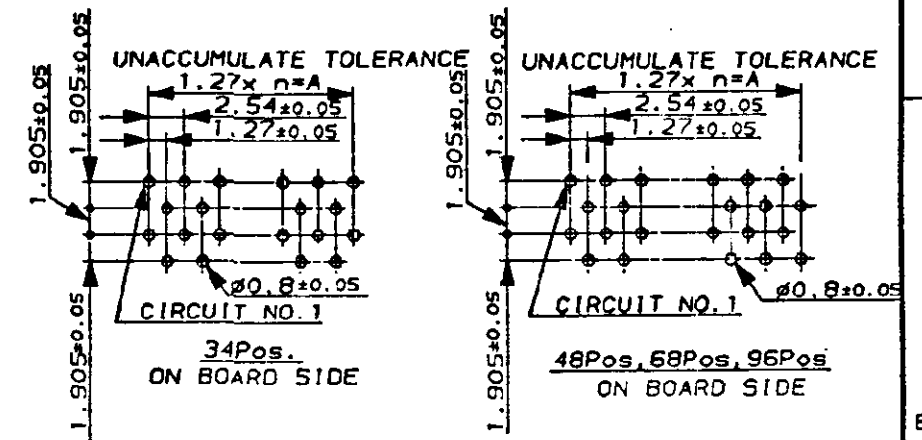
PRINT DIST

AMP-J REV. 10/83



NOTES

- 1 MATERIAL AND FINISH
 - CAP HOUSING
 - , THERMOPLASTIC (UL94V-0) COLOR, BLACK
 - POST CONTACT
 - , PHOS-BRONZE FINISH, OVER NICKEL
 - MATING END: 0.0002 MIN. OR 0.00076 MIN. GOLD.
 - TERMINATION END: TIN-LEAD OVER SEALING TREATMENT.
- 2 P.C.B LAYOUT AND P.C.B TREATMENT (REF.)
 - USE A P.C.B SURFACE ARE TREATED WITH SOLDER RESIST.



Au Pl. 0.00076 MIN.	96	48	59.69	64.06	71.00	---	47	96	5-174683-8
	68	34	41.91	46.28	53.22	1.7	33	68	6-174683-7
	48	24	29.21	33.58	40.52	1.7	23	48	6-174683-6
	34	17	20.32	24.69	31.63	---	16	34	6-174683-5
Au Pl. 0.0002 MIN.	96	48	59.69	64.06	71.00	---	47	96	174683-8
	68	34	41.91	46.28	53.22	1.7	33	68	174683-7
	48	24	29.21	33.58	40.52	1.7	23	48	174683-6
	34	17	20.32	24.69	31.63	---	16	34	174683-5
REMARK	N	M	A	B	C	D	n	POS.	PART NO.
	CIRCUIT NO.		DIMENSION						

WIRE RANGE		INSULATION DIA		NAME	
MATERIAL		FINISH		CAP ASS'Y VERTICAL (W/KINK)	
DR. Yo. SATO 12/23/87 DE.		CNC. RAISHIJIWA		FOR AMPLITE 050 SERIES I B-TO-B CONN.	
LTR REVISION RECORD		DR CHK DATE		GENERAL TOLERANCE	
B REVISED ECN: J-13147 Yo.S RN 3/29/87		A ADD Au 0.76 um ECN: J-10268 Yo.S 1/17/88		SIZE LOC NUMBER	
O ECN: J-10187 Yo.S 3/21/88				A3 J C-174683	
				SCALE REV. SHEET	
				2-1 B 10F1	

AMP AMP (JAPAN), LTD. Tokyo, Japan

CUSTOMER DRAWING