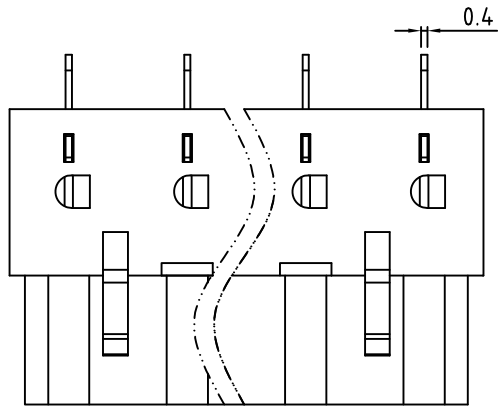
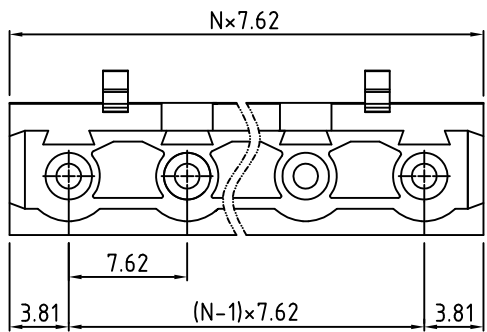


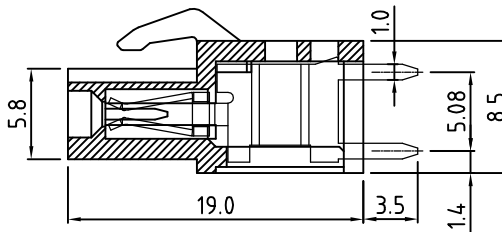
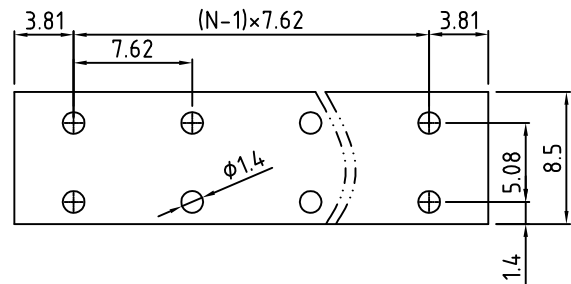
Transfer or duplication of this document as well as the utilisation or communication of its content are not permitted unless express consent is granted. Violations give rise to claims for damages. All rights reserved in case of patent, utility model or design patent registrations.



N=Number of contacts



P.C.B LAYOUT



Technical Data:

Electrical

Pitch: 7.62mm

Voltage rating: 300V

Current rating: 16 Amps

Withstanding Voltage: 2500VAC(1min) Test time=60sec/1pcs

Mechanical:

Operating temperature: -40°C to +105°C

Soldering temperature

Temperature= 250°C ± 10°C/ 5 seconds max

Safety approval:

RoHS Compliance

Part No.:

OSTV7XX0150

No. of Poles

02 2 Poles

03 3 Poles

... ..

24 24 Poles

COLOR

0: Black

2: Red

3: Orange

4: Yellow

5: Green (Standard)

6: Blue

8: Grey

Nonstandard colors

Mins could apply

| Contact | Copper Alloy | Tin plated | 1xN | | |
|---------|--------------|------------|---------------------|---------------|------------|
| Cover | PA66 UL94V-0 | | 1 | | |
| Body | PA66 UL94V-0 | | 1 | | |
| ITEM | NAME OF PART | MATERIAL | NOTES | Q"TY | |
| DWG. | DATE | UNITS: | MM | SHEET: 1 OF 1 | Tolerance |
| CHK. | DATE | SCALE: | NONE 3:1 | REV.: A | X. ±0.50 |
| APP. | DATE | TITLE: | OSTV7 SERIES 7.62MM | | X.XX ±0.30 |
| | | | 180° VERTICAL | | X.XX ±0.10 |
| | | PART NO.: | OSTV7XX0150 | | X° ±1° |
| | | DWG NO.: | OSTV7XX0150.DWG | | |

| REV | △ | DESCRIPTION | CHK. | DATE |
|-----|---|-------------|------|------|
| | | | | |



ON-SHORE TECHNOLOGY, INC.

