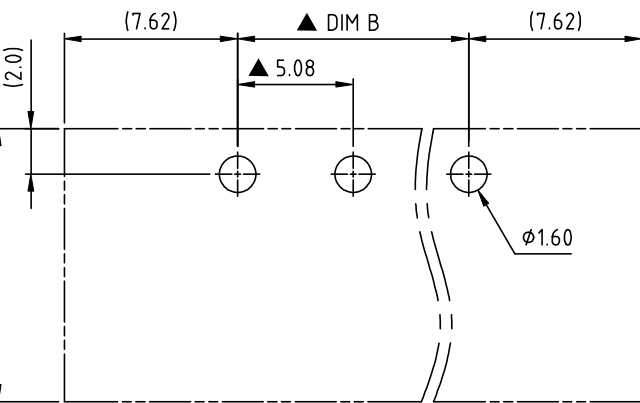
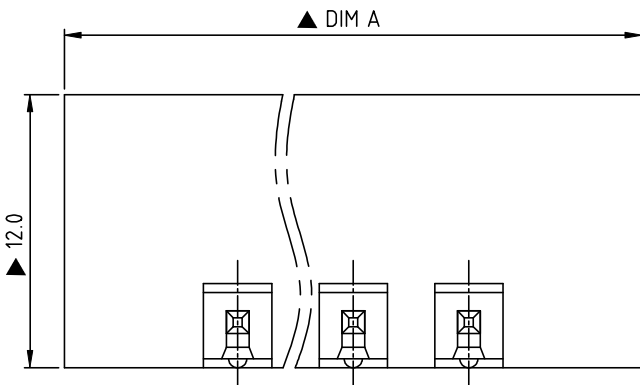
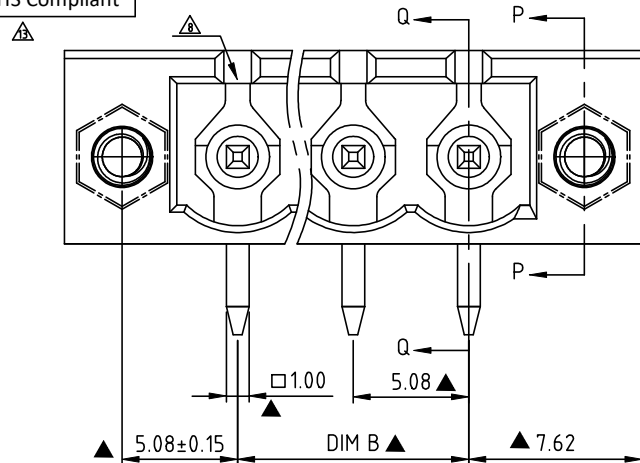
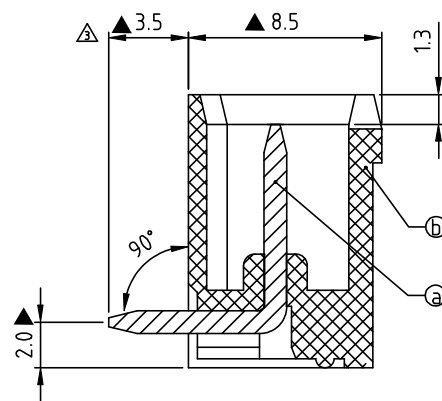
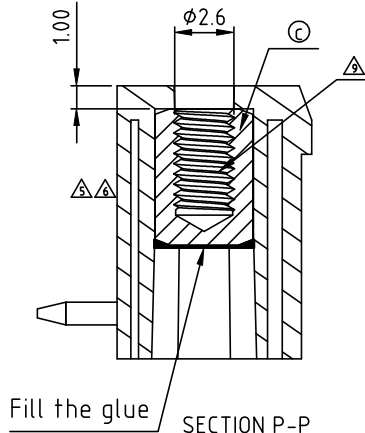


RoHS Compliant



RECOMMENDED PCB LAYOUT



DIMENSION

A	(N+2)×5.08
B	(N-1)×5.08

N= NUMBER OF CONCATS

Poles	Tolerance
2P-6P	±0.15
7P-12P	±0.20
13P-18P	±0.30
19P-24P	±0.40

REV	SIGN	DATE	DESCRIPTION	APPROVER
C	△	8/16'06	Added VDE and TUV standard	Steady
D	△	8/16'06	Current rating (cULus) changed from 10A to 20A	Steady
E	△	1/20'07	Dimension changed from 4.0 to 3.5	Tony
F	△	1/20'07	Soldering temperature changed from 245° to 250°	Tony
G	△	5/28'08	Body flange is changed	Marvin
H	△	2009.7.6	The design is changed from the round hole to hexagonal hole.	Jacke
I	△	2009.7.6	The design Material is changed from Brass to Copper	Jacke
J	△	2010.03.22	The design is changed	Jacke
K	△	11/21'11	Flange nut is changed	ChenMing
L	△	08/21-18	change the Wave Soldering temperature: 260°C±5°C/5 Sec	zhangcan
	△	08/21-18	Increase the color number :9 White(RAL1102),C Green(RAL6018/U)	zhangcan
	△	08/21-18	change the ROHS instructions:G RoHS compliant (lead<4%) In copper Alloy	zhangcan
	△	08/21-18	Add RoHS Compliant,change Critical dimension: ▲	zhangcan

THIS IS CAD DRAWING, DO NOT REVISE MANUALL Y!!!

Material:

- △ ● Item ③ Male contact pin: Copper Bright Tin plated over Nickel plated
- Item ④ Terminal (housing): Thermoplastic (UL94 V-0)
- Item ⑤ With flange nut: Brass ,M2.5

△ Electrical: cULus /VDE /TUV

● Voltage rating: 300V/300V/300V

△ ● Current rating: 20A/20A/20A

● Withstanding Voltage: 1.6 KV/2.5KV/2.5KV

● Operating temperature: -40°C to +115°C

△ △ ● Wave Soldering temperature: 260°C±5°C/5 Sec

● Safety Approval: cULus VDE TUV

△ ● Critical dimension: ▲

OQ xx 5 5 x 1 xxxx G

No. OF POLES

02: 2 POLES

...

24: 24 POLES

COLOR

0 Black (RAL9005)

2 Red (RAL3001/D)

3 Orange(RAL2011/P)

4 Yellow(RAL1018/A)

5 Green(RAL6018/T)

6 Blue (RAL5015/A)

8 Grey(RAL7035/D)

9 White(RAL1102)

C Green(RAL6018/U)

△

G RoHS compliant (lead<4%)

In copper Alloy

0000 "@" logo

000A "ANY" logo

Any special item by customer request. please contact sales department.

△

△

**Amphenol**  
**ANYTEK**

**CUSTOMER COPY**

ALL RIGHTS RESERVED. REPRODUCTION OR ISSUE TO THIRD PARTIES IN ANY FORM WHATSOEVER IS NOT PERMITTED WITHOUT WRITTEN AUTHORITY FROM THE PROPRIETOR. PROPERTY OF ANYTEK TECHNOLOGY CO., LTD

TITLE				OQ 5.08mm 90° W/Flange Series 2p-24p			
PART NO.		OQxx55x1xxxxG		DWG NO.		80Q0706	
APPROVED	CHECKED	DESIGNED	DRAWN	CUST NO.		Tolerance	
		zhangcan 09/19-18	zhangcan 09/19-18			X.	±0.50
						UNIT:	mm
						SCALE:	NONE
SHEET: 01/01						REV.:	L
						X.X	±0.30
						X.XX	±0.10
						X°	±1°