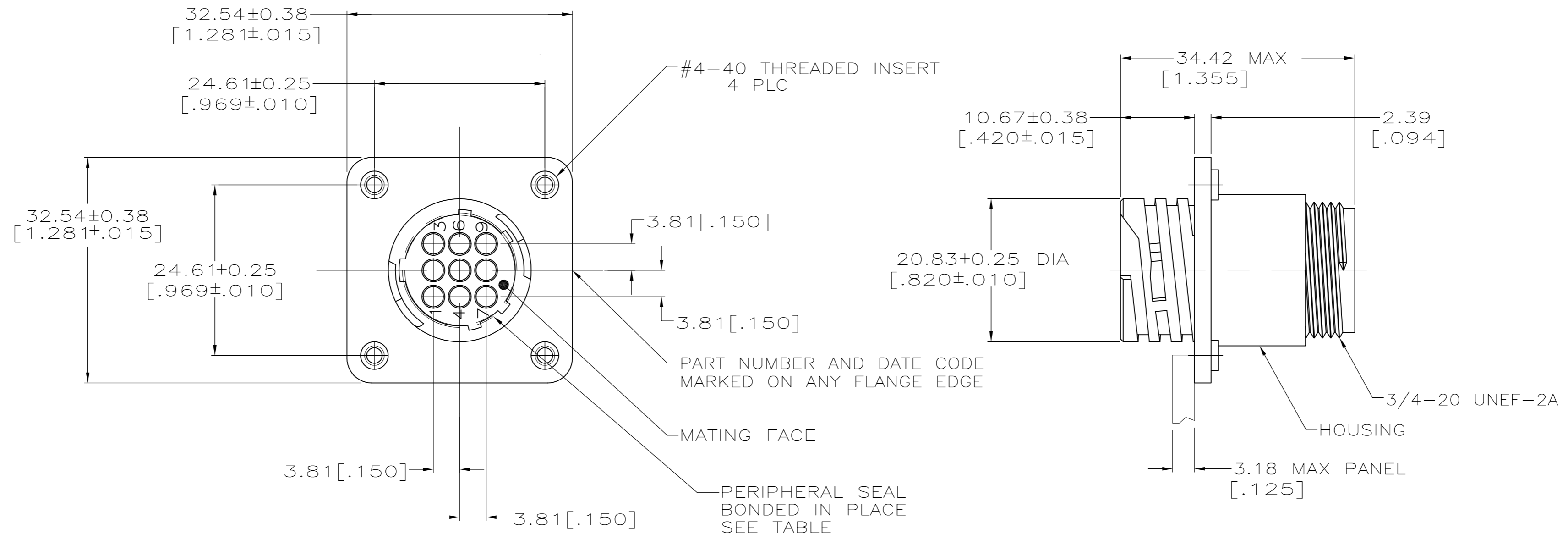


THIS DRAWING IS UNPUBLISHED. RELEASED FOR PUBLICATION
 © COPYRIGHT - By - ALL RIGHTS RESERVED.

LOC		DIST		REVISIONS			
P	LTR	DESCRIPTION		DATE	DWN	APVD	
FT	0	F		REVISED PER ECO-12-015665	26SEP12	KH	MZ

- 1 CAVITY IDENTIFICATION ON FRONT AND REAR FACE.
- 2 OBSOLETE PARTS: OBSOLETE CIS STREAMLINING PER D.RENAUD/D.SINISI



2 OBSOLETE	YES	YES	208131-2
	YES	NO	208131-1
	THREADED INSERTS	PERIPHERAL SEAL	PART NUMBER

THIS DRAWING IS A CONTROLLED DOCUMENT.		DWN D.HARDY 06-21-94	TE TE Connectivity	
DIMENSIONS: mm [INCHES]		CHK R.STONE 06-28-94		
TOLERANCES UNLESS OTHERWISE SPECIFIED:		APVD -	NAME	
0 PLC ± -		PRODUCT SPEC	RECEPTACLE ASSEMBLY W/ THREADED FASTENERS, SHELL SIZE 13, STANDARD SEX, CPC	
1 PLC ± -		APPLICATION SPEC	SIZE	RESTRICTED TO
2 PLC ± 0.13 [.005]			CAGE CODE	
3 PLC ± -			DRAWING NO	
4 PLC ± -			A2 00779	C=208131
ANGLES ± -		WEIGHT	-	
FINISH		CUSTOMER DRAWING		
MATERIAL: HOUSING: THERMOPLASTIC, BLACK INSERTS: BRASS		SCALE	SHEET	REV
		2:1	1 of 1	F