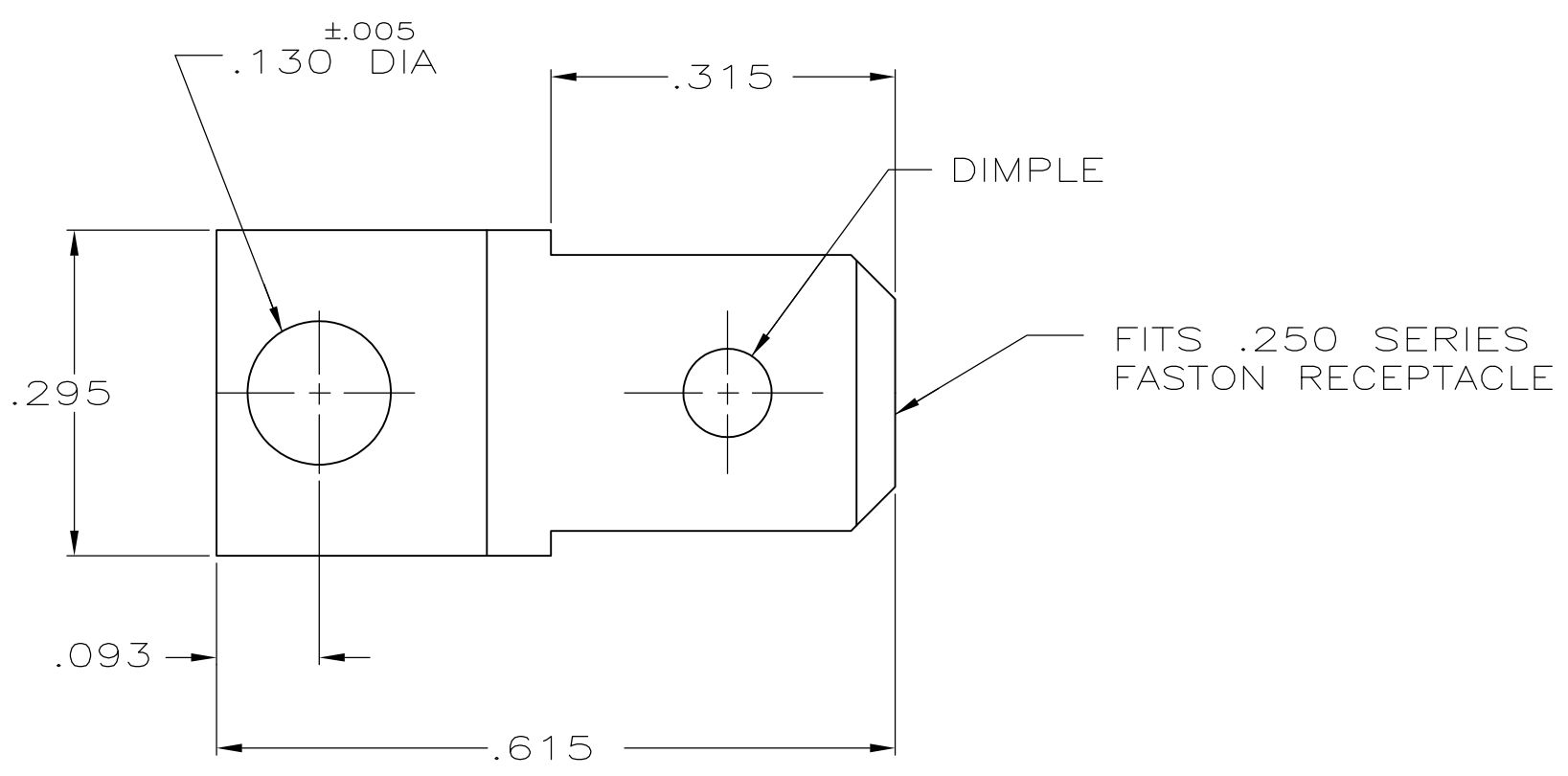
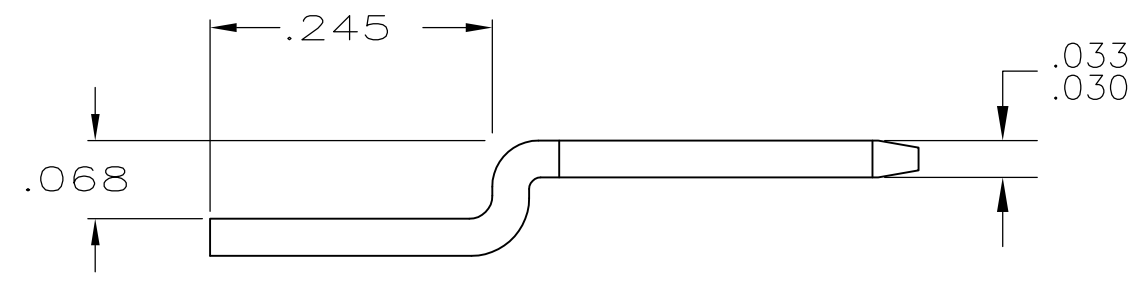


THIS DRAWING IS UNPUBLISHED. RELEASED FOR PUBLICATION  
 © COPYRIGHT - By - ALL RIGHTS RESERVED.


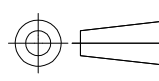
LOC	DIST	REVISIONS					
AF	50	P	LTR	DESCRIPTION	DATE	DWN	APVD
			J	REVISED PER ECR-13-011489	06DEC2013	KH	PD



1 SUPPLIED IN LOOSE PIECE.



42506-2  
PART NO

THIS DRAWING IS A CONTROLLED DOCUMENT.		DWN	JR RUTH	1/25/89	 TE Connectivity	NAME		TAB, FASTON, .250 SERIES	
DIMENSIONS: INCHES		CHK	MS FEHER	1/25/89		PRODUCT SPEC		-	
		APVD	C MEYERS	1/25/89		APPLICATION SPEC		-	
TOLERANCES UNLESS OTHERWISE SPECIFIED:		MATERIAL		FINISH		SIZE	CAGE CODE	DRAWING NO	RESTRICTED TO
0 PLC	± -	BRASS		TIN	A300779		C-42506	-	
1 PLC	± -				CUSTOMER DRAWING		SCALE	SHEET	REV
2 PLC	± -						6:1	1 OF 1	J
3 PLC	± .010								
4 PLC	± -								
ANGLES	± -								