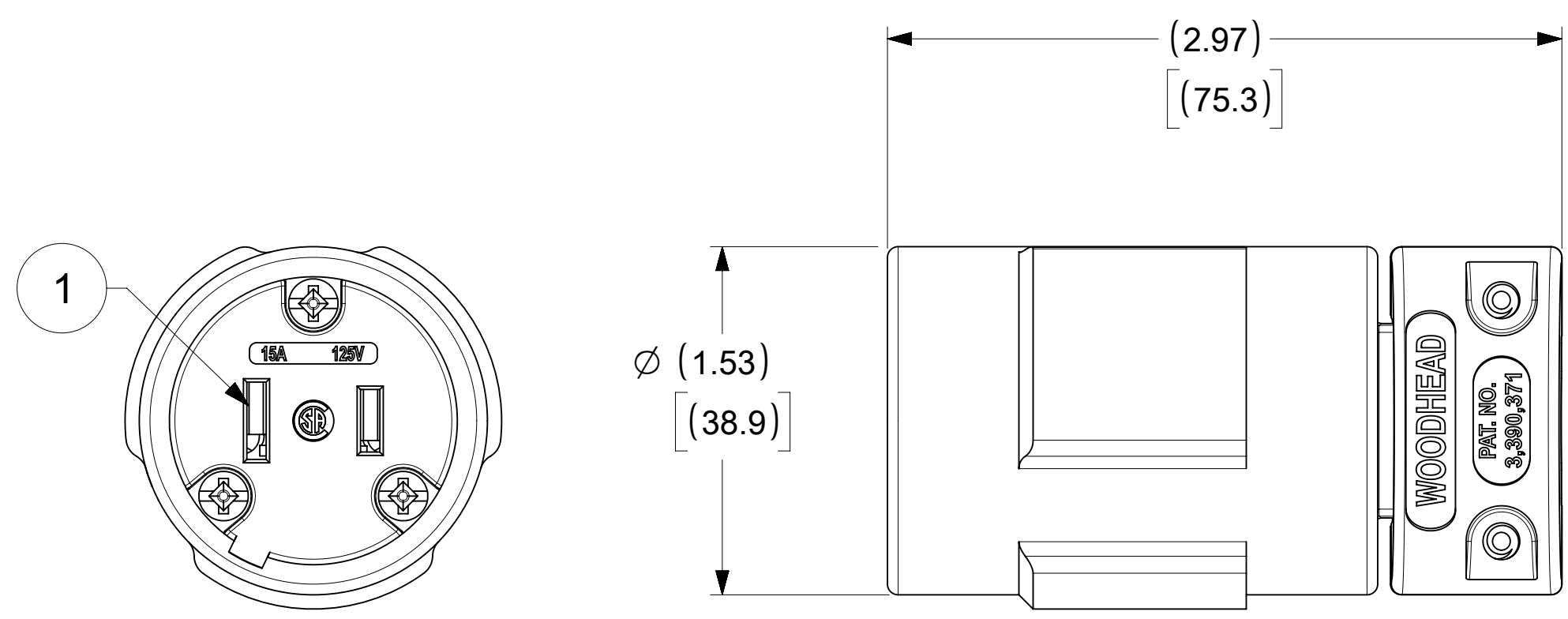
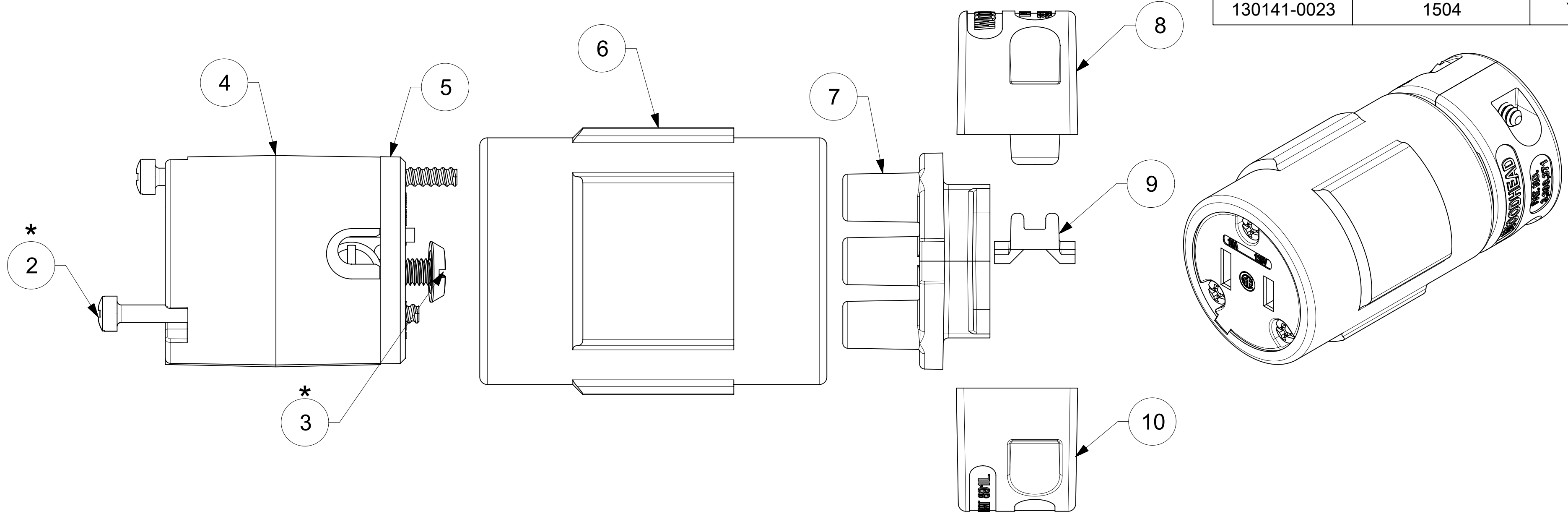
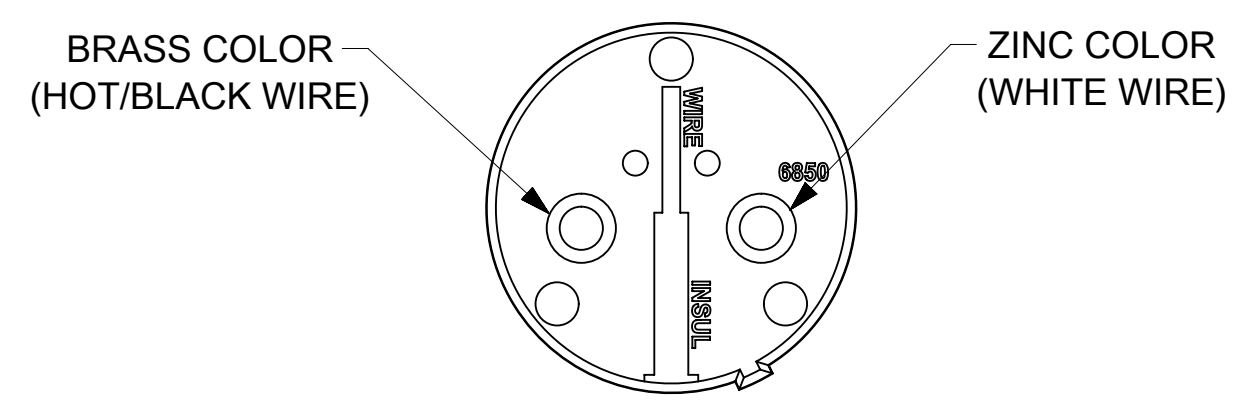


ORDER NO.	WOODHEAD NO.	COLOR
130141-0023	1504	YELLOW



WIRING TERMINATION



* FOR SCREW TORQUE, SEE ASSEMBLY INSTRUCTIONS

ITEM NO.	DESCRIPTIONS	MATERIAL	QTY.
1	CLIPS	BRASS, NICKEL PLATED	2
2	RETAINING SCREWS	STAINLESS STEEL	3
3	TERMINAL SCREWS/CLAMP ASSEMBLY	BRASS, ZINC PLATED	2
4	INSERT; YELLOW	NYLON	1
5	TERMINAL COVER	POLYCARBONATE	1
6	HOUSING; YELLOW	NYLON	1
7	CLAMP SUPPORT	NYLON	1
8	CLAMP CORD MALE; YELLOW	NYLON	1
9	CLAMP CORD INSERT	NYLON	1
10	CLAMP CORD FEMALE; YELLOW	NYLON	1
11	RETAINING SCREWS	STEEL, ZINC PLATED	2

SYMBOLS		THIS DRAWING CONTAINS INFORMATION THAT IS PROPRIETARY TO MOLEX ELECTRONIC TECHNOLOGIES, LLC AND SHOULD NOT BE USED WITHOUT WRITTEN PERMISSION	
▽ = 0	DIMENSION UNITS	SCALE	CURRENT REV DESC: NEW RELEASE
▽ = 0	INCH/MM	NTS	
▽ = 0	GENERAL TOLERANCES (UNLESS SPECIFIED)		molex SUPER-SAFEWAY CONN NEMA 1-15 2P2W PRODUCT CUSTOMER DRAWING DOCUMENT NUMBER: 1301410023 DOC TYPE: PSD DOC PART: 000 REVISION: A MATERIAL NUMBER: SEE TABLE CUSTOMER: GENERAL MARKET SHEET NUMBER: 1 OF 1
▽ = 0	4 PLACES	±	
▽ = 0	3 PLACES	± 0.005	
▽ = 0	2 PLACES	± 0.13 ± 0.01	
▽ = 0	1 PLACE	± 0.25 ± 0.02	
▽ = 0	0 PLACES	±	EC NO: 643354 DRWN: VHANDI 2019/06/12 CHK'D: DNGUYEN62 2020/06/29 APPR: HKNEELAND 2020/09/02 INITIAL REVISION: DRWN: VHANDI 2019/06/12 APPR: HKNEELAND 2020/09/02
▽ = 0	ANGULAR TOL	± 0.5 °	THIRD ANGLE PROJECTION DRAWING SERIES C-SIZE 130141