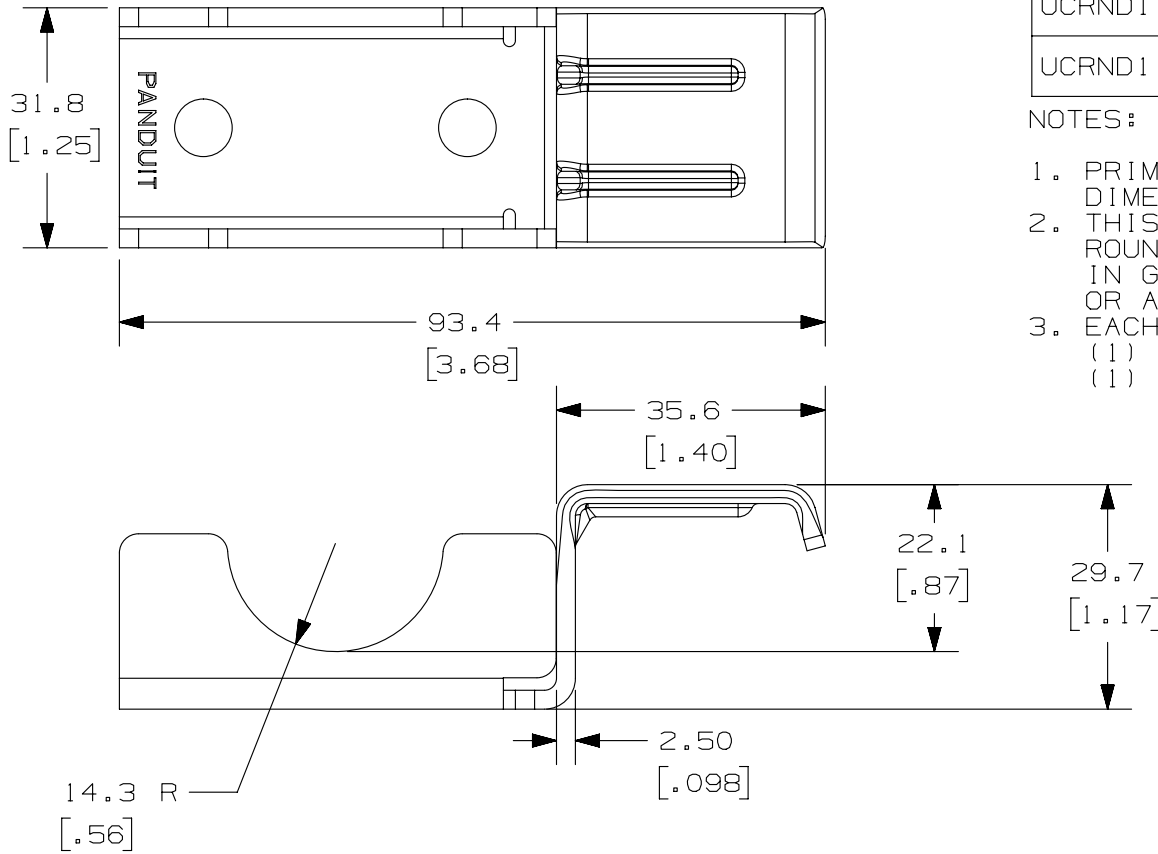


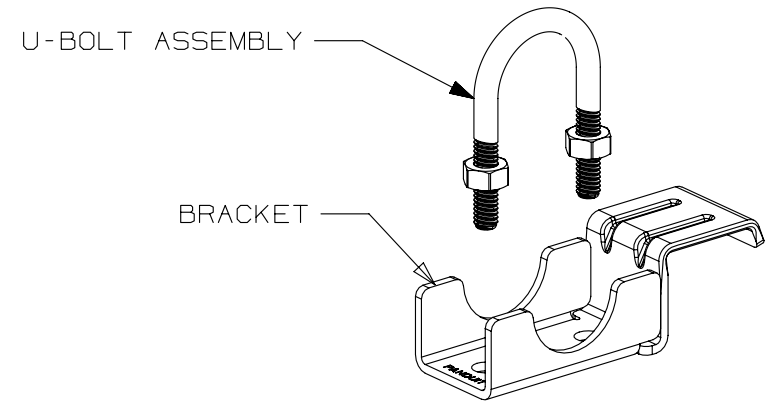
THIS COPY IS PROVIDED ON A RESTRICTED BASIS AND IS NOT TO BE USED IN ANY WAY DETRIMENTAL TO THE INTERESTS OF PANDUIT CORP.




PANDUIT P/N	MATERIAL	WEIGHT / PC
UCRND1-V316	316 STAINLESS STEEL	119.9 g (.264 lbs)
UCRND1-VC	COMMERCIAL STEEL / GALVANIZED	122.2 g (.269 lbs)

NOTES:

1. PRIMARY DIMENSIONS IN METRIC (mm). DIMENSIONS IN [ ] ARE ENGLISH [in].
2. THIS PRODUCT INTENDED FOR USE WITH ROUND TYPE LADDER RACK (1-INCH DIA.) IN GALVANIZED STEEL, STAINLESS STEEL, OR ALUMINUM CONSTRUCTIONS.
3. EACH ASSEMBLY INCLUDES:  
 (1) BRACKET  
 (1) U-BOLT ASSEMBLY COMPRISED OF M6 X 1 THREADS AND (2) M6 X 1 HEX NUTS



REV	DATE	BY	CHK	APR	DESCRIPTION	ECN
-	-----	----	----	----	RELEASED TO PRODUCTION	-----
1	06-26-14	RMHI	RMHI	RGRO	B. UPDATED WEIGHTS IN TABLE A. REVISED TITLE	12L025AV-DC
R	04-30-14	JBN	RMHI		DRAWING RELEASED	

TITLE		 <b>UNICLIP ROUND RUNG BRACKET UCRND1</b>	
ITEM REVISION NAME		CUSTOMER DRAWING	
DATASET FILE NAME		12L025AV/03	
		12L025AV_DC/03B	
UNLESS OTHERWISE SPECIFIED, DIMENSIONAL TOLERANCES ARE: IN [mm]		<b>PANDUIT</b>  SEE CHART	
.x ± .3 [ .01 ]      .xxx ± .127 [ .005 ] .xx ± .25 [ .010 ]      ANGLES ± 5 °			
DRAWING NUMBER:		12L025AV-DC	
DRAWN BY	DATE	CHK	SCALE
JBN	04-30-14	RMHI	N.T.S.
SHT 1 OF 1		A	