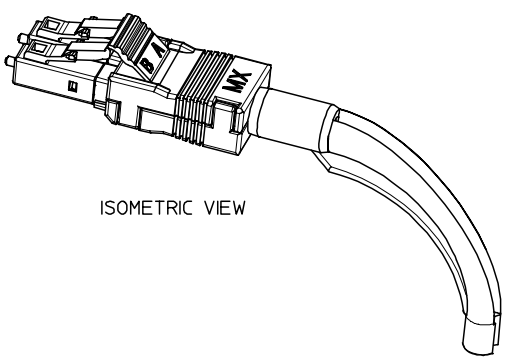
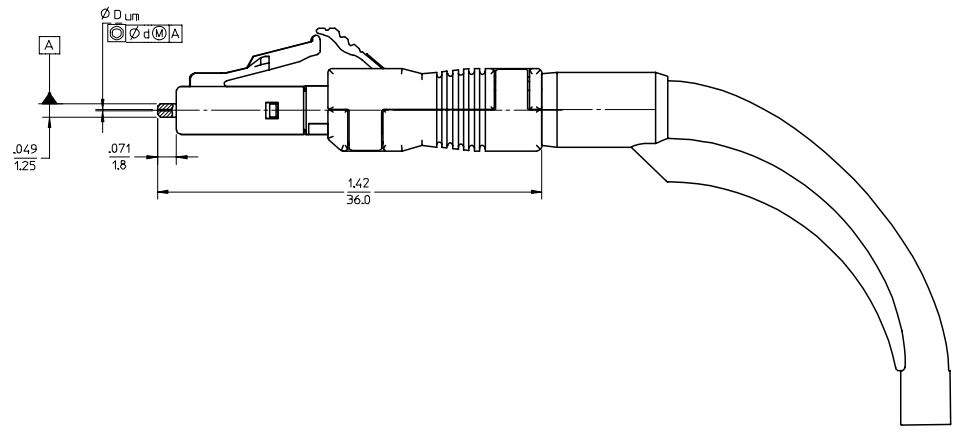
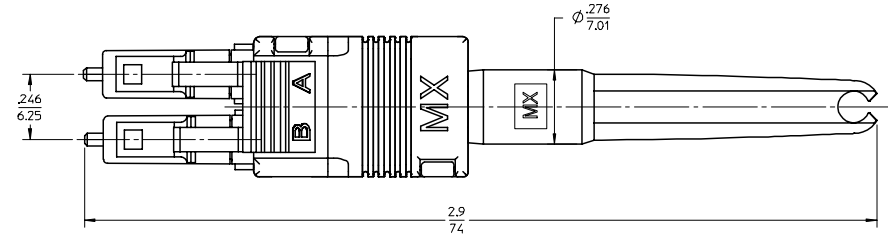
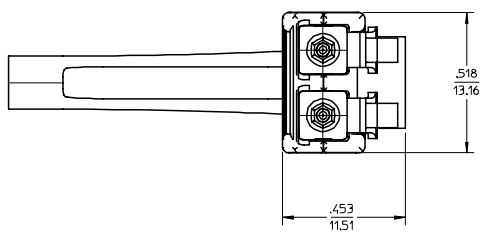


CONNECTOR P/N	CABLE TYPE	Ø D (µm)	Ø d (µm)	COLOR
106025-2370	SINGLE MODE	125.5 <sup>+0.5</sup> <sub>0</sub>	1.0	BLUE
106025-2380	MULTIMODE	127.0 <sup>+0.5</sup> <sub>0</sub>	3.0	BEIGE



NOTES:  
 1. ALL DIMENSIONS ARE FOR REFERENCE ONLY.  
 2. DUST CAPS ARE NOT SHOWN.

ENTER DESCRIPTION EC NO: MF2008-0070 DRAWN: YBEDNYAK 2007/08/30 CHKD: 2007/08/30 APPR: IGUMIN 2007/09/05 REVISIONS A	QUALITY SYMBOLS ▽=0 ▽=0	GENERAL TOLERANCES (UNLESS SPECIFIED)		DIMENSION STYLE IN/MM	SCALE 3:1	DESIGN UNITS INCH	THIRD ANGLE PROJECTION		
		4 PLACES ± --- ± --- 3 PLACES ± --- ± --- 2 PLACES ± --- ± --- 1 PLACE ± --- ± --- ANGULAR ± --- °	mm INCH	DRAWN BY YBEDNYAK	DATE 2007/03/21	TITLE LCD DOUBLE CONNECTOR (DUAL LINK CABLE) 90 DEG. BOOT			
		DRAFT WHERE APPLICABLE MUST REMAIN WITHIN DIMENSIONS		APPROVED BY IGUMIN	DATE 2007/03/21	MOLEX INCORPORATED			
		SEE TABLE		MATERIAL NO.	DOCUMENT NO. SD-106025-2370	SHEET NO. 1 OF 1			