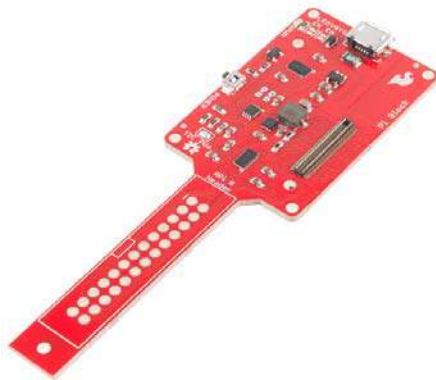




SparkFun Blocks for Intel® Edison - Pi Block

Introduction

The Pi Block breaks out and level shifts several GPIO pins from the Intel Edison. It presents them in the same configuration as a Raspberry Pi Model B.



Pi Block

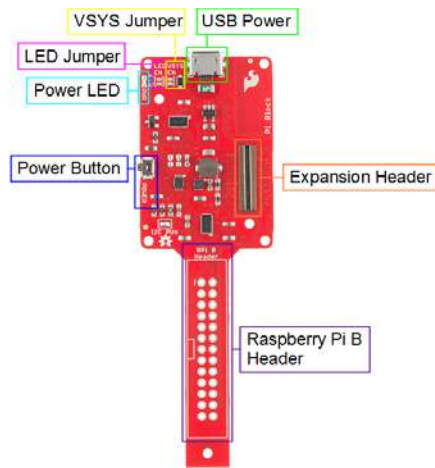
Suggested Reading

If you are unfamiliar with Blocks, take a look at the General Guide to Sparkfun Blocks for Intel Edison.

Other tutorials that may help you on your Edison adventure include:

- Edison Getting Started Guide
- Logic Levels

Board Overview



Pi Block Functional Diagram

- **USB Power** - used to provide 5V to Pi Block and power the Edison. Note that the data lines are not connected to the Edison.
- **Power Button** - The power switch is connected to the "PWRBTN" line on the Edison. This give the user the ability to place an Edison in sleep or power down the module completely. This does not affect power to other Blocks in the stack.
- **Power LED** - The power LED illuminates when power is present on VSYS. This can come from the onboard USB Power or any other powered Block in the stack.
- **Expansion Header** - The 70-pin Expansion header breaks out the functionality of the Intel Edison. This header also passes signals and power throughout the stack. These function much like an Arduino Shield.
- **LED Jumper** - If power consumption is an issue, cut this jumper to disable the power LED.
- **VSYS Jumper** - By default, a USB cable must be attached to the USB Power port to provide power to the 5V pins on the RPi B Header. You can power the Edison and Pi Block from another Block (e.g. Base Block), but there will not be 5V on the pins labeled "5V". By closing this jumper, you can power the Edison and Pi Block from another Block, and ~4.2V (VSYS) will appear on the pins labeled "5V".
- **RPi B Header** - Same configuration as the old Raspberry Pi Model B pinout.

Using the Pi Block

To use the Pi Block, attach an Intel® Edison to the back of the board, or add it to your current stack. Blocks can be stacked without hardware, but it leaves the expansion connectors unprotected from mechanical stress.



Edison installed on Pi Block

We have a nice Hardware Pack available that gives enough hardware to secure three blocks and an Edison.



Intel Edison Hardware Pack

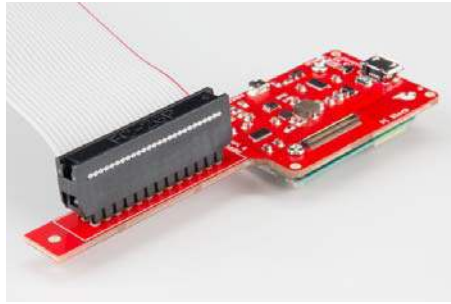
NOTE: It is recommended to use a console communication block in conjunction with this block like ones found in the General Guide to Sparkfun Blocks for Intel Edison. Once you have the Edison configured, you can remove the console communication block, power the Edison from the Pi Block, and SSH into the Edison.

You can put headers on the Edison side, which gives you easy access to the pin labels. Note that this pinout is mirrored from the Raspberry Pi Model B pinout.



Headers on Edison side

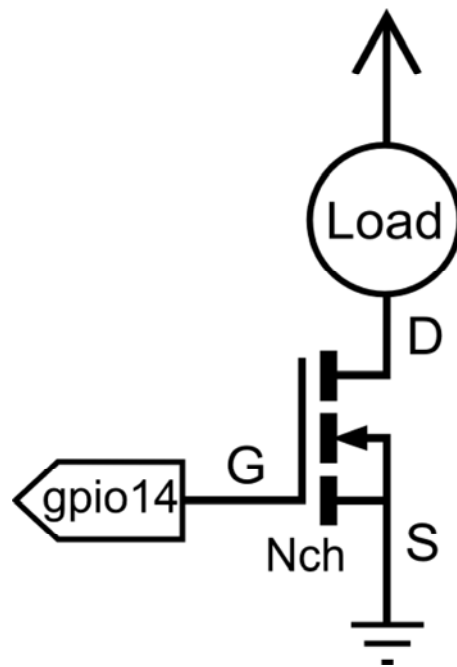
Alternatively, you can populate the back side of the Pi Block with headers. This method gives the same pinout as a Raspberry Pi Model B. You could, in theory, swap the Edison in for your Raspberry Pi on an existing project, or use Raspberry Pi accessories (e.g. Pi Wedge).



Or put headers on the back side of Pi Block

Using the Pi Block as an output device

If you want to use the Pi Block to control high power LEDs or relays, an external transistor or MOSFET will be required. It is possible to illuminate a small LED directly from the level shifter. It may not be as bright since the current output of the TXB0108 level converter is very low (~5ma).



Connection Diagram for Load (LED, Motor, or Relay)

In the terminal, we will demonstrate how to activate and use a GPIO pin as an output.

First navigate to the GPIO directory on the Edison.

```
cd /sys/class/gpio
```

Select the GPIO pin to enable. In this case, we used GPIO 14, which is labeled "GP14" on the Pi Block.

```
echo 14 > export
```

Navigate to the newly created GPIO directory.

```
cd gpio14
```

If you type "ls", you should see a bunch of variables.

```
active_low direction power uevent
device      edge      subsystem value
```

Let's set the "direction" of the port to output

```
echo out > direction
```

To confirm this, we will "cat" the value

```
cat direction
```

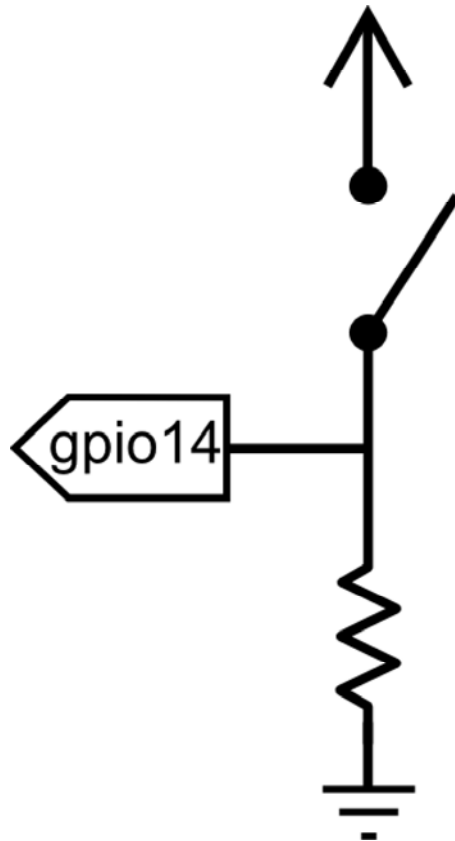
You should see the "out" in the command line. Now the device is configured as an output. "value" is where the status of the pin is set, 1 for high, 0 for low.

```
echo 1 > value
```

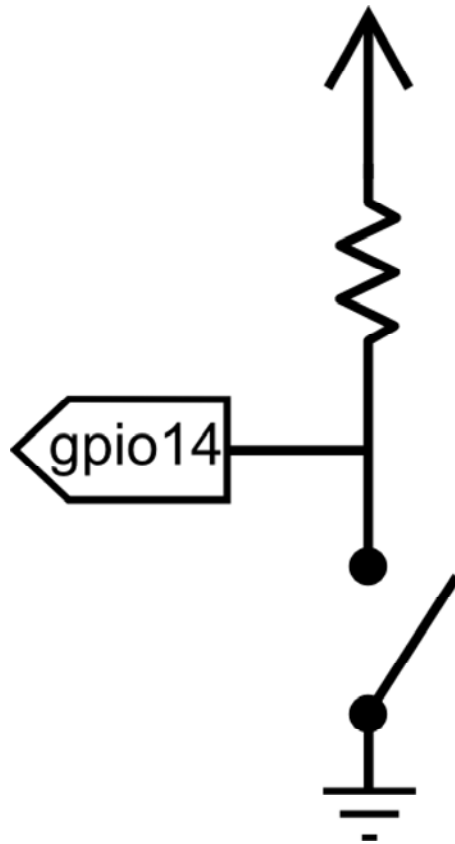
Testing with a multi-meter, small led, or oscilloscope, you should see a "high" status (3.3V) present on gpio14.

Using the Pi Block as an input device

If you want the Pi Block to read switches, buttons, or other logic level inputs, you must pay attention to pull-up and pull-down resistors. The level converter on board is very weak. Here are two scenarios explained:



Connection Diagram for Active High Push Button



Connection Diagram for Active Low Push Button

In the terminal, we will demonstrate how to activate and use a GPIO pin as an input configured as an active high.

First, navigate to the GPIO directory on the Edison.

```
cd /sys/class/gpio
```

Select the GPIO pin to enable. In this case let us use GPIO 14.

```
echo 14 > export
```

Navigate to the newly created GPIO directory.

```
cd gpio14
```

If you type "ls", you should see a bunch of variables.

```
active_low  direction  power      uevent
device      edge       subsystem  value
```

Let's set the "direction" of the port to output.

```
echo in > direction
```

To confirm this, we will "cat" the value.

```
cat direction
```

You should see the "in" in the command line. Now the device is configured as an input. "value" is where the status of the pin is set, 1 for high, 0 for low.

```
cat value
```

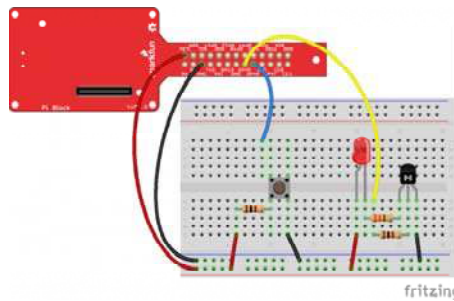
With a button pressed, you should see a 1. When the button is not pressed you should see a 0. Using the up arrow, you can recall previously run commands.

C++ Examples

We're assuming that you're using the Eclipse IDE as detailed in our [Beyond Arduino](#) tutorial. If you aren't, you'll need to go to that tutorial to get up to speed.

Hardware Connection

Hardware support for this library is simple; one basic red LED and one momentary pushbutton. We're using a 2N3904 NPN transistor to drive the LED, however, as the drive strength of the outputs on the Pi Block is quite weak. As you can see in the diagram, you'll also need a couple of 1k Ω resistors and a single 330 Ω resistor.



While we've used GPIO45 and GPIO46 in this example, this code can be used with any of the pins on the Pi breakout. The GPIO to MRAA pin map can be found in the [Resources and Going Further](#) section.

Code

Follow the instructions in the programming tutorial to create a new project named "SparkFun_Pi_Block_Example". Once you've created the project, open the "SparkFun_Pi_Block_Example.cpp" file and replace all the existing code with the code block below.

```

/*****
Example file for SparkFun Pi Block Support

14 Jul 2015- Mike Hord, SparkFun Electronics
Code developed in Intel's Eclipse IOT-DK

Modified on July 30, 2015 by Shawn Hymel, SparkFun Electronics

This code requires the Intel mraa library to function; for more
information see https://github.com/intel-iot-devkit/mraa

This code is beerware; if you use it, please buy me (or any other
SparkFun employee) a cold beverage next time you run into one of
us at the local.
*****/

#include "mraa.hpp"

#include <iostream>
#include <unistd.h>

using namespace mraa;
using namespace std;

int main()
{
    // Oddly, GPIO pin assignment numbers when using the MRAA libraries
    // are not the same as those inside the operating system. Thus, while
    // we're using pin 46 as far as the OS is concerned to drive the LED,
    // we're using pin 32 as far as MRAA is concerned. The cheat sheet for
    // that can be found here:
    // https://github.com/intel-iot-devkit/mraa/blob/master/docs/edison.md
    Gpio LEDPin(45);
    LEDPin.dir(DIR_OUT);

    // Now do a quick little flicker.
    LEDPin.write(0);
    usleep(100000);
    LEDPin.write(1);
    usleep(100000);
    LEDPin.write(0);

    // Alternatively, we can declare the pin in "raw" mode, which has a
    // slightly different and more unwieldy constructor.
    Gpio buttonPin(32, true, true);
    buttonPin.dir(DIR_IN);

    // In this infinite loop, we'll blink the LED once whenever someone
    // presses the button.
    while (1)
    {

```



```


// We *know* that if the IO pin reads as 0, or is low, read() returns zero.
// However, if it's high, it *may* return something else; the only guarantee
// is that it will be nonzero. Thus, don't test to see if a read() returned
// a 1!!!
if (buttonPin.read() == 0)
{
    LEDPin.write(1);
    sleep(1);
    LEDPin.write(0);
    sleep(1);
}
}

return MRAA_SUCCESS;
}

```

Additional Examples

Because this block is just a GPIO access device, the existing MRAA GPIO examples can be used with it.

 [Example projects in the IDE](#)

When you create a new project in the Eclipse IDE, it will offer you the option of several starter projects. Some of them, noted above, are good examples of using the MRAA GPIO functions. They're more complex than what we've provided here, however.

For full documentation of the C++ API for GPIO pins, please visit the official MRAA documentation.

Resources and Going Further

Pin Map

You might have noticed that we used GP46 in hardware and GPIO 32 in our example code. This is because the MRAA library uses a different number for the pins. If you would like to use MRAA to control hardware, figure out which GPIO pins you plan to use on the table below (labeled "Edison Pin") and then use the MRAA Number in software.

The available pins on the Pi Block have been highlighted in yellow in the table.

Notes:

- Input/output voltage on the Pi Block is 3.3V
- Input/output voltage on the GPIO Block is 3.3V by default
- Input/output voltage on the Arduino Breakout is 5V
- Input/output voltage on the Mini Breadboard is 1.8V

MRAA pin map table based on Intel's IOT Dev Kit Repository

Edison Pin (Linux)	Arduino Breakout	Mini Breakout	MRAA Number	Pinmode0	Pinmode1	Pinmode2
GP12	3	J18-7	20	GPIO-12	PWM0	
GP13	5	J18-1	14	GPIO-13	PWM1	
GP14	A4	J19-9	36	GPIO-14		

Edison Pin (Linux)	Arduino Breakout	Mini Breakout	MRAA Number	Pinmode0	Pinmode1	Pinmode2
GP15		J20-7	48	GPIO-15		
GP19		J18-6	19	GPIO-19	I2C-1-SCL	
GP20		J17-8	7	GPIO-20	I2C-1-SDA	
GP27		J17-7	6	GPIO-27	I2C-6-SCL	
GP28		J17-9	8	GPIO-28	I2C-6-SDA	
GP40	13	J19-10	37	GPIO-40	SSP2_CLK	
GP41	10	J20-10	51	GPIO-41	SSP2_FS	
GP42	12	J20-9	50	GPIO-42	SSP2_RXD	
GP43	11	J19-11	38	GPIO-43	SSP2_TXD	
GP44	A0	J19-4	31	GPIO-44		
GP45	A1	J20-4	45	GPIO-45		
GP46	A2	J19-5	32	GPIO-46		
GP47	A3	J20-5	46	GPIO-47		
GP48	7	J19-6	33	GPIO-48		
GP49	8	J20-6	47	GPIO-49		
GP77		J19-12	39	GPIO-77	SD	
GP78		J20-11	52	GPIO-78	SD	
GP79		J20-12	53	GPIO-79	SD	
GP80		J20-13	54	GPIO-80	SD	
GP81		J20-14	55	GPIO-81	SD	
GP82		J19-13	40	GPIO-82	SD	
GP83		J19-14	41	GPIO-83	SD	
GP84		J20-8	49	GPIO-84	SD	
GP109		J17-11	10	GPIO-109	SPI-5-SCK	
GP110		J18-10	23	GPIO-110	SPI-5-CS0	
GP111		J17-10	9	GPIO-111	SPI-5-CS1	
GP114		J18-11	24	GPIO-114	SPI-5-MISO	
GP115		J17-12	11	GPIO-115	SPI-5-MOSI	
GP128	2	J17-14	13	GPIO-128	UART-1-CTS	

Edison Pin (Linux)	Arduino Breakout	Mini Breakout	MRAA Number	Pinmode0	Pinmode1	Pinmode2
GP129	4	J18-12	25	GPIO-129	UART-1-RTS	
GP130	0	J18-13	26	GPIO-130	UART-1-RX	
GP131	1	J19-8	35	GPIO-131	UART-1-TX	
GP134		J20-3	44			
GP135		J17-5	4	GPIO-135	UART	
GP165	A5	J18-2	15	GPIO-165		
GP182	6	J17-1	0	GPIO-182	PWM2	
GP183	9	J18-8	21	GPIO-183	PWM3	

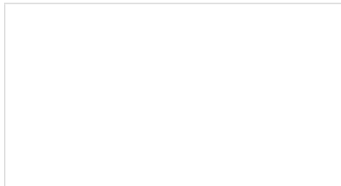
Edison General Topics:

- General Guide to Sparkfun Blocks for Intel Edison
- Edison Getting Started Guide - Programming with Arduino
- Loading Debian (Ubilinux) on the Edison

Block Specific Topics:

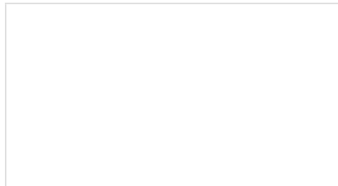
- Pi Block Github repo

Check out these other Edison related tutorials from SparkFun:



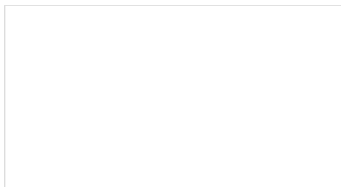
SparkFun Blocks for Intel® Edison - OLED Block

A quick overview of the features of the OLED Block for the Edison.



SparkFun Blocks for Intel® Edison - Dual H-Bridge

A quick overview of the features of the Dual H-bridge Block.



Programming the Intel® Edison: Beyond the Arduino IDE

Intel's Edison module goes beyond being just another Arduino clone. Check this tutorial for advice on how to get the most out of your Edison by writing code in C++!



SparkFun Blocks for Intel® Edison - ADC V20

A quick overview of the features of the ADC Block.