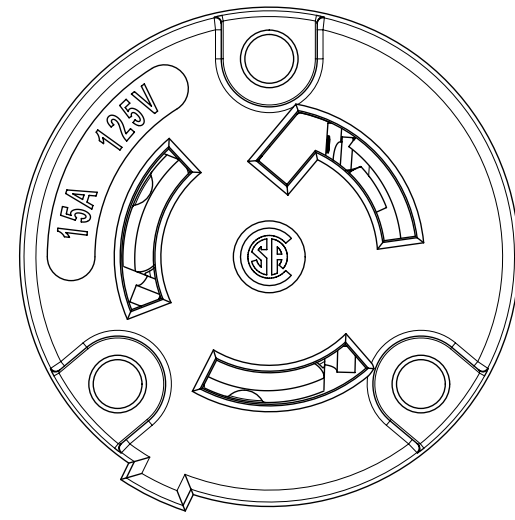
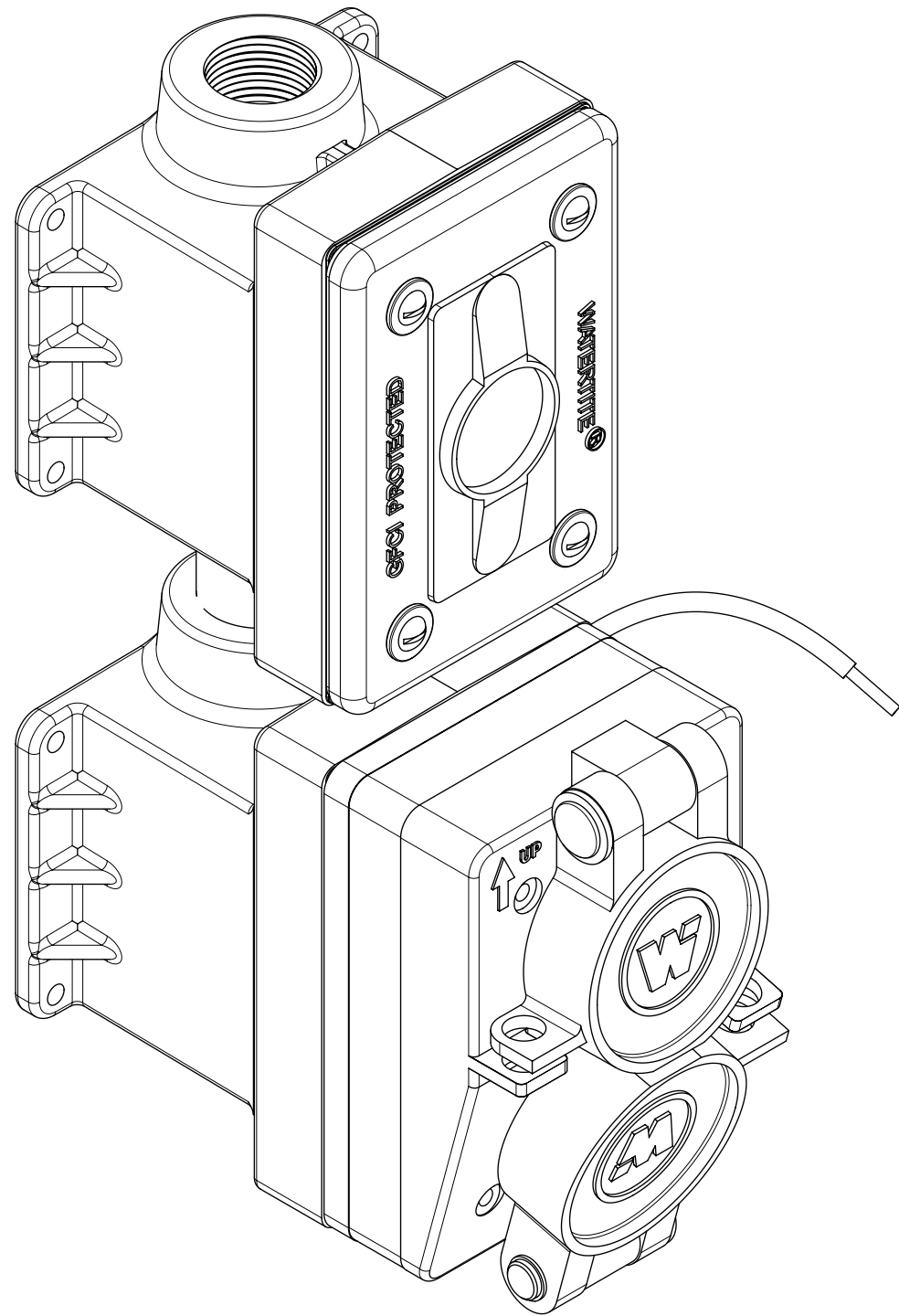
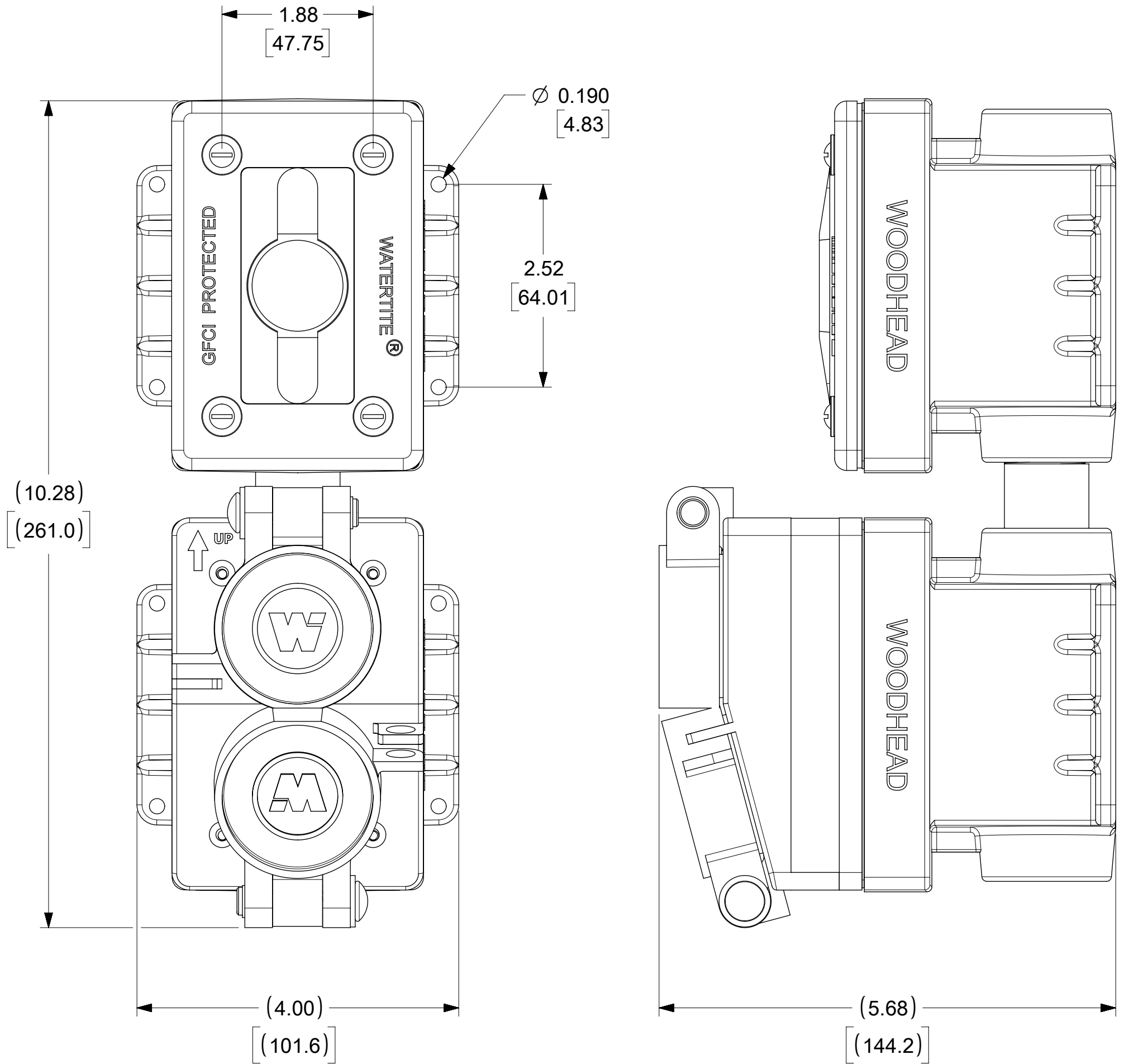


ORDER NO.	WOODHEAD NO.	COLOR
130155-0108	65W47DPLXGF	YELLOW



FACE VIEW



DESCRPTION	MATERIAL	QTY.
COVER FLIP LID	NYLON, STAINLESS STEEL	1
COVER PLATE	STAINLESS STEEL	1
GASKET	NEOPRENE	1
FEMALE INSERT ASSY	NYLON, BRASS, NICKEL & ZINC PLATED	2
RETAINING SCREWS	STAINLESS STEEL	6
MOUNTING PLATE FD BOX	STAINLESS STEEL	4
FD BOX	COMPOSITE, UNSATURATED POLYCARBONATE	2
GFCI DEVICE 20A	POLYCARBONATE, THERMOPLASTIC, PLATED STEEL, BRASS.	1
PHILLIPS SCREW	STAINLESS STEEL	8
GFCI COVER PLATE	SILICONE	1
SCREW PAN HEAD	STAINLESS STEEL	4
THREADED NIPPLE	CHLORINATED POLYVINYL CHLORIDE (CPVC)	1
JUMPER WIRE ASSY	COPPER, BRASS (TINNED FINISH)	1
SCREW (GROUND WIRE)	STAINLESS STEEL	1
BLACK WIRE - 3.0 IN LONG	COPPER WIRE	1
GREEN WIRE - 2-3/4 IN LONG	COPPER WIRE	1
WHITE WIRE - 4 IN LONG	COPPER WIRE	1
#12-1 BLACK PVC WIRE	COPPER WIRE	1
#12-1 GREEN PVC WIRE	COPPER WIRE	1
#12-1 WHITE PVC WIRE	COPPER WIRE	1

SYMBOLS	THIS DRAWING CONTAINS INFORMATION THAT IS PROPRIETARY TO MOLEX ELECTRONIC TECHNOLOGIES, LLC AND SHOULD NOT BE USED WITHOUT WRITTEN PERMISSION		
	DIMENSION UNITS	SCALE	CURRENT REV DESC: MIGRATION TO ECTR/NX
$\nabla$ = 0	INCH[MM]	NTS	EC NO: 613579 DRWN: SRPATIL 2019/01/09 CHK'D: DNGUYEN62 2019/03/14 APPR: HKNEELAND 2019/03/21
$\nabla$ = 0	GENERAL TOLERANCES (UNLESS SPECIFIED)		
$\nabla$ = 0		MM INCH	INITIAL REVISION: DRWN: SRPATIL 2019/01/09 APPR: HKNEELAND 2019/03/21
$\nabla$ = 0	4 PLACES	± ±	
$\nabla$ = 0	3 PLACES	± ±	THIRD ANGLE PROJECTION
$\nabla$ = 0	2 PLACES	± ±	
$\nabla$ = 0	1 PLACE	± ±	DRAWING SERIES
$\nabla$ = 0	0 PLACES	± ±	
$\nabla$ = 0	ANGULAR TOL	± °	C-SIZE 130155
$\nabla$ = 0	DRAFT WHERE APPLICABLE MUST REMAIN WITHIN DIMENSIONS		MATERIAL NUMBER CUSTOMER SHEET NUMBER
			SEE TABLE GENERAL MARKET 1 OF 1

**molex**

WATERTITE FD GFCI DUPLEX ASSY 2P3W L5-15

PRODUCT CUSTOMER DRAWING

DOCUMENT NUMBER: 1301550108    DOC TYPE: PSD    DOC PART: 000    REVISION: A

MATERIAL NUMBER: SEE TABLE    CUSTOMER: GENERAL MARKET    SHEET NUMBER: 1 OF 1