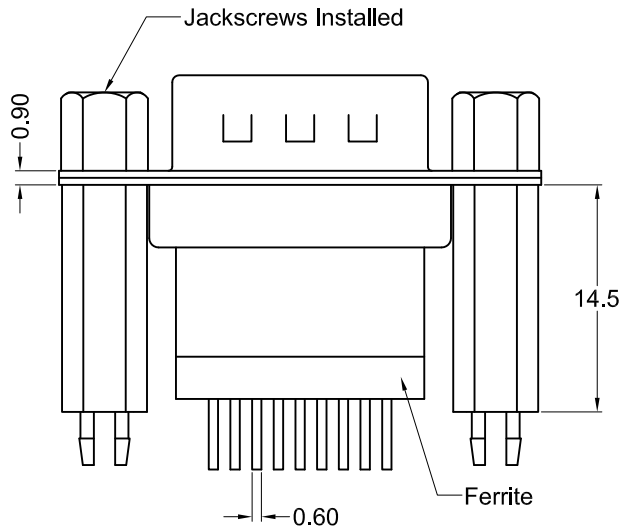
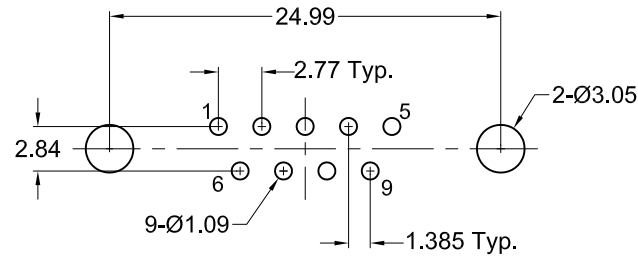
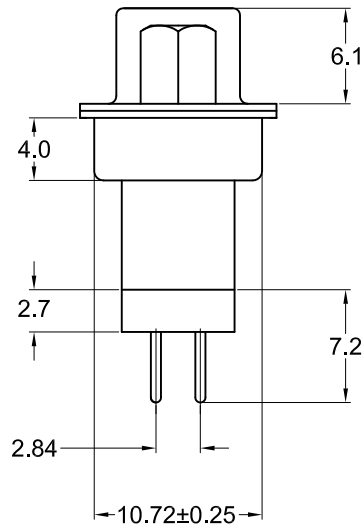


Recommended PCB Layout
(Top View)



boardlocks not shown
in this view



Material and Finish

- Shell: Steel, nickel plated
- Insulator: PBT thermoplastic with glass-fiber reinforcement, UL94V-0 rated, Color: Black
- Contact Material: Plug - Brass
- Contact Plating Options:
 - Standard: gold flash on mating end, tin on termination end, nickel underplate on entire contact
 - 15 Option: 15u" gold on mating end, tin on termination end, nickel underplate on entire contact
 - 30 Option: 30u" gold on mating end, tin on termination end, nickel underplate on entire contact

Electrical Specifications

- Rated Current: 2A
- Rated Voltage: 30V RMS
- Insulation Resistance: more than 1000 megohms at 500V DC
- Contact Resistance: 13 milliohms max.
- Dielectric Withstanding Voltage: 1000V for 1 minute
- Operating Temperature: -55°C to +105°C

Ferrite Specifications

Measured Value(OHM)	Test Frequency
20 MIN.	25 MHz.
50 MIN.	100 MHz.

Part Number Contact Area Plating Finish

Part Number	Contact Area Plating Finish
KF88X-ED-9P-BRJ	Gold Flash (standard option)
KF88X-ED-9P-BRJ15	15u" Gold (15 option)
KF88X-ED-9P-BRJ30	30u" Gold (30 option)



Tolerances
X.X ± 0.25
X.XX ± 0.15
Unless Stated Otherwise

REV.	DATE	DESCRIPTION	REV. BY	CHK. BY	DRAWN BY	DATE
A1	02/03/11	New Drawing	S. Vien	H. MA		
A2	12/31/17	ECO #17-035	J. Elbanna	C. Furumasu	S. Vien	06/07/10

KF88X-ED-9P-BRJ

Vertical D-Sub, Male 9 Pin, RoHS Compliant

Ferrite, Precision Formed Contacts, Boardlocks, JS

