

NOTES: FINISH (PLATING THICKNESS IN MICRO-INCHES)

1. MATERIALS AND FINISHES:

- BODY - ZINC DIECAST, NICKEL PLATING
- CONTACT - BERYLLIUM COPPER, GOLD PLATING
- INSULATOR - PTFE

2. ELECTRICAL:

- A. IMPEDANCE: 50 OHM
- B. FREQUENCY RANGE: DC 0-4 GHz
- C. VSWR(RETURN LOSS): 1.1 MAX. @1 GHz ; 1.3 MAX. @4GHz
- D. DIELECTRIC WITHSTANDING VOLTAGE: 1500 VRMS, MIN.

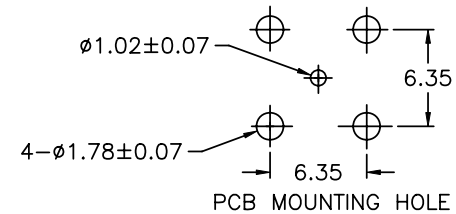
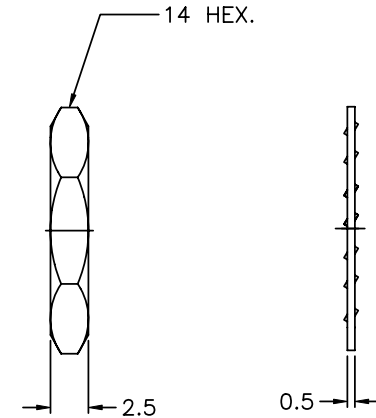
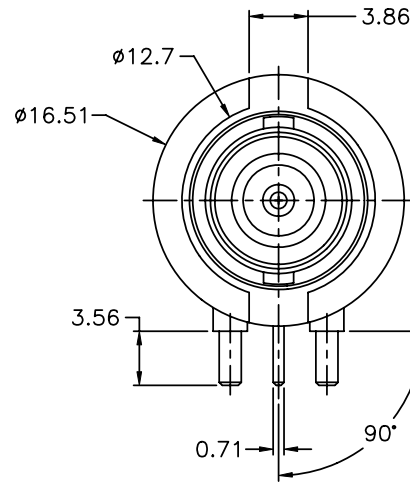
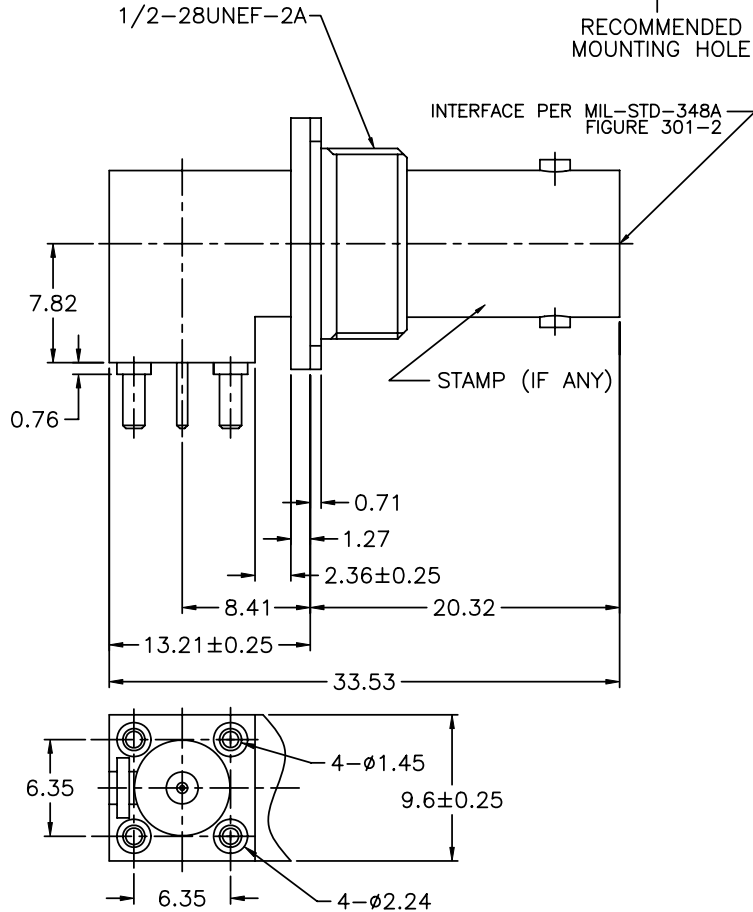
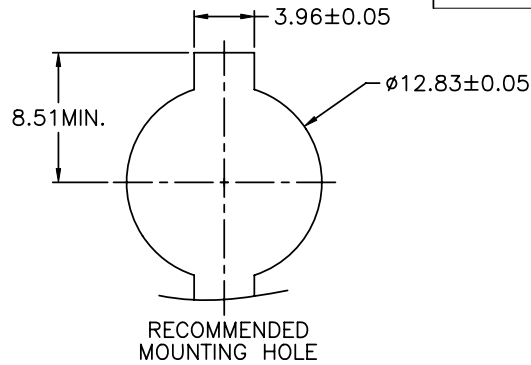
3. MECHANICAL:

- A. DURABILITY: 500 CYCLES MIN.
- B. TEMPERATURE RANGE: - 65°C to +165°C

THIRD ANGLE PROJ.

REVISIONS

REV	DESCRIPTION	DATE	ECO	APPR
A	RELEASE TO MFG.		--	
B	SEE SHEET 1	12-13-04'	--	SH
C	LCOK WASHER WAS CHANGED	02-Nov-11	48832	SH



CUSTOMER OUTLINE DRAWING

ALL OTHER SHEETS ARE FOR INTERNAL USE ONLY

UNLESS OTHERWISE SPECIFIED, DIMENSIONS ARE IN METRIC AND TOLERANCES ARE: 0.5 - 6mm ±0.1mm 6 - 30mm ±0.2mm 30 - 120mm ±0.3mm ANGLES ±1°	MATERIAL	DRAWN F.WANG	DATE 31-10-11'	TITLE BNC R/A P.C. JACK	Amphenol RF Danbury CT USA, Tainan Taiwan, Shenzhen China www.amphenolrf.com		
	REFERENCE	ENGINEER S.HSIEH	DATE 12-13-04'	SCALE: 5/1	SHEET 2 OF 2	DRAWING NO. B6252C1-001-NT30G-50	
NOTICE - These drawings, specifications, or other data (1) are, and remain the property of Amphenol Corp. (2) must be returned upon request; and (3) are confidential and not to be disclosed to any person other than those to whom they are given by Amphenol Corp. The furnishing of these drawings, specifications, or other data by Amphenol Corp., or to any other person for any purpose is not to be regarded by implication or otherwise in any manner licensing, granting rights or permitting such holder or any other person to manufacture, use or sell any product, process or design, patented or otherwise, that may in any way be related to or disclosed by said drawings, specifications, or other data.	FINISH	APPROVED S.HSIEH	DATE 12-13-04'	DWG SIZE B	CODE ID 74868	REV C	ITEM NO. 016252ABP78NC7F
		F:\DWG\B\6252C1\001\50\NT30G-CSZ					