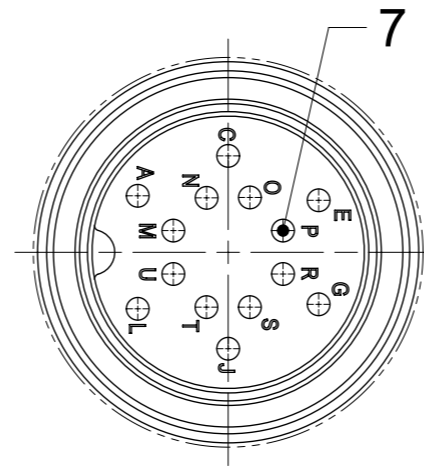


TABLE 1

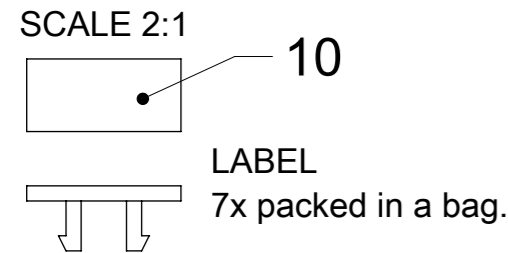
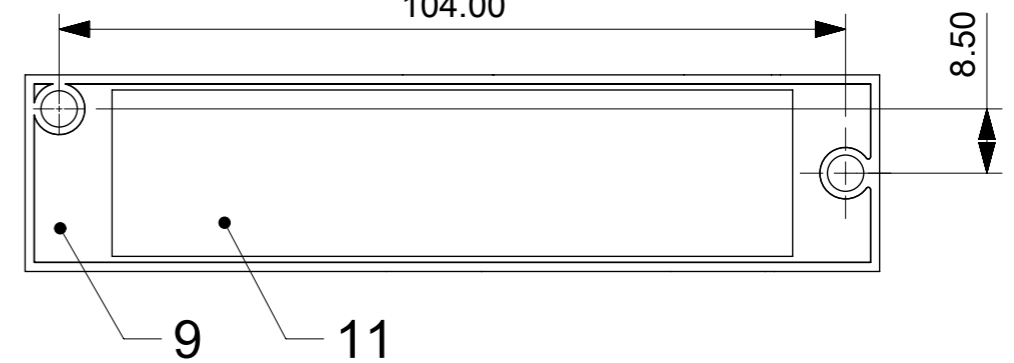
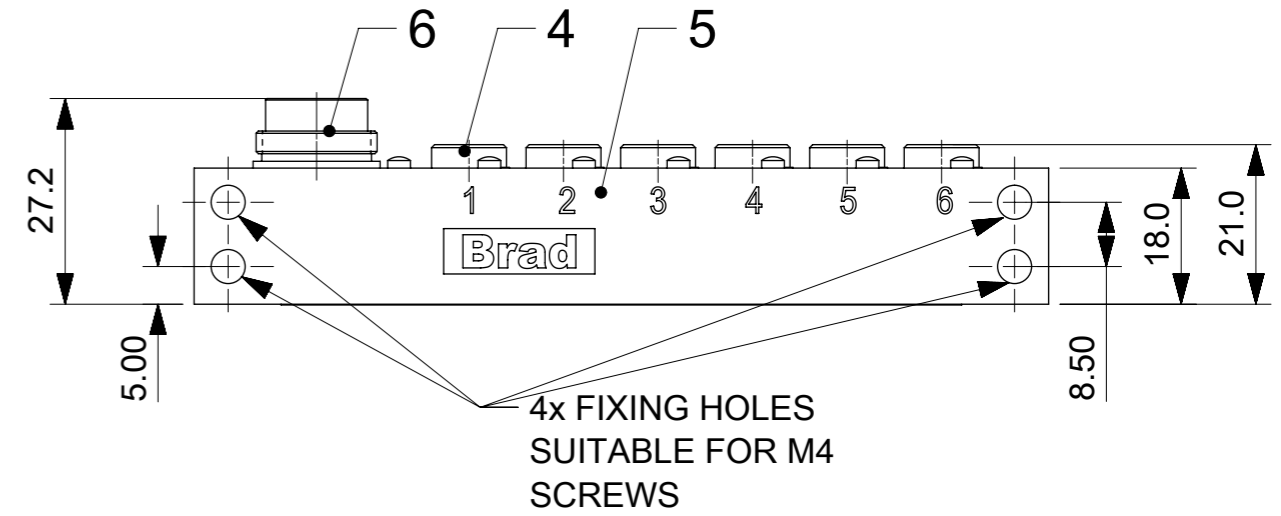
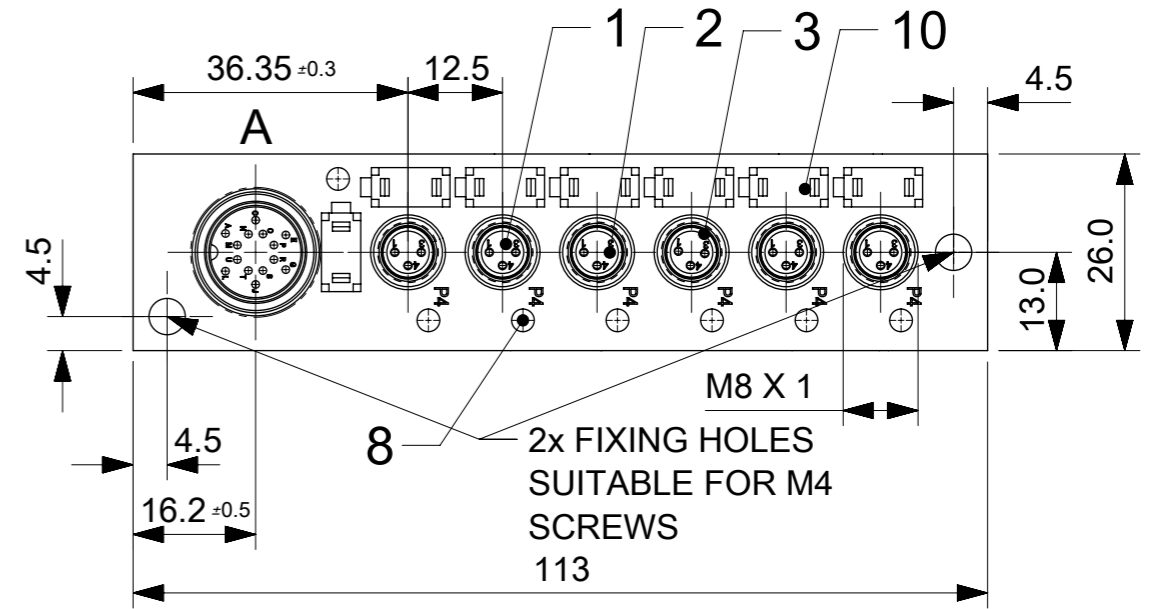
MOLEX PN	ENG. NO.	LED
1202470061	BNB601P-FBC	YES

TABLE 2 BILL OF MATERIAL

ITEM	DESCRIPTION	MATERIAL	FINISH
1	INSERT	TPU	BLACK
2	CONTACT	COPPER ALLOY	GOLD OVER NICKEL
3	O-RING	VITON	RED
4	RECEPTACLE SHELL	BRASS	NICKEL PLATED
5	HOUSING	PBT	BLACK
6	SHELL	BRASS	NICKEL PLATED
7	CONTACT	COPPER ALLOY	GOLD OVER NICKEL
8	LED	NO LED = PA	BLACK
		WITH LED = PA	TRANSPARENT
9	RESIN	EPOXY	TRANSPARENT
10	LABEL	ABS	WHITE
11	LABEL ADHESIVE	PE	WHITE

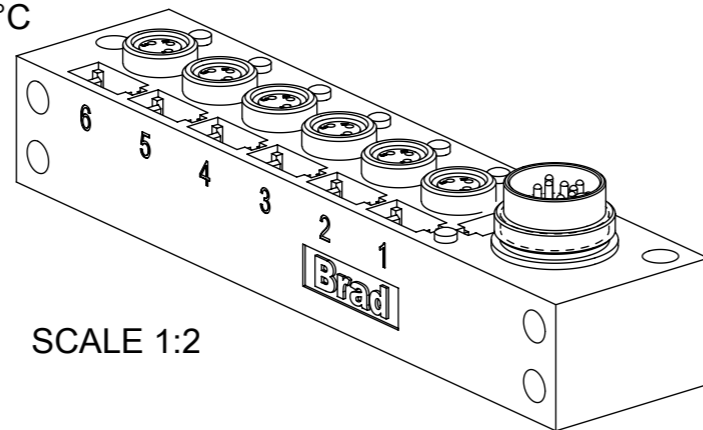


DETAIL A
SCALE 3:1



GENERAL CHARACTERISTICS:

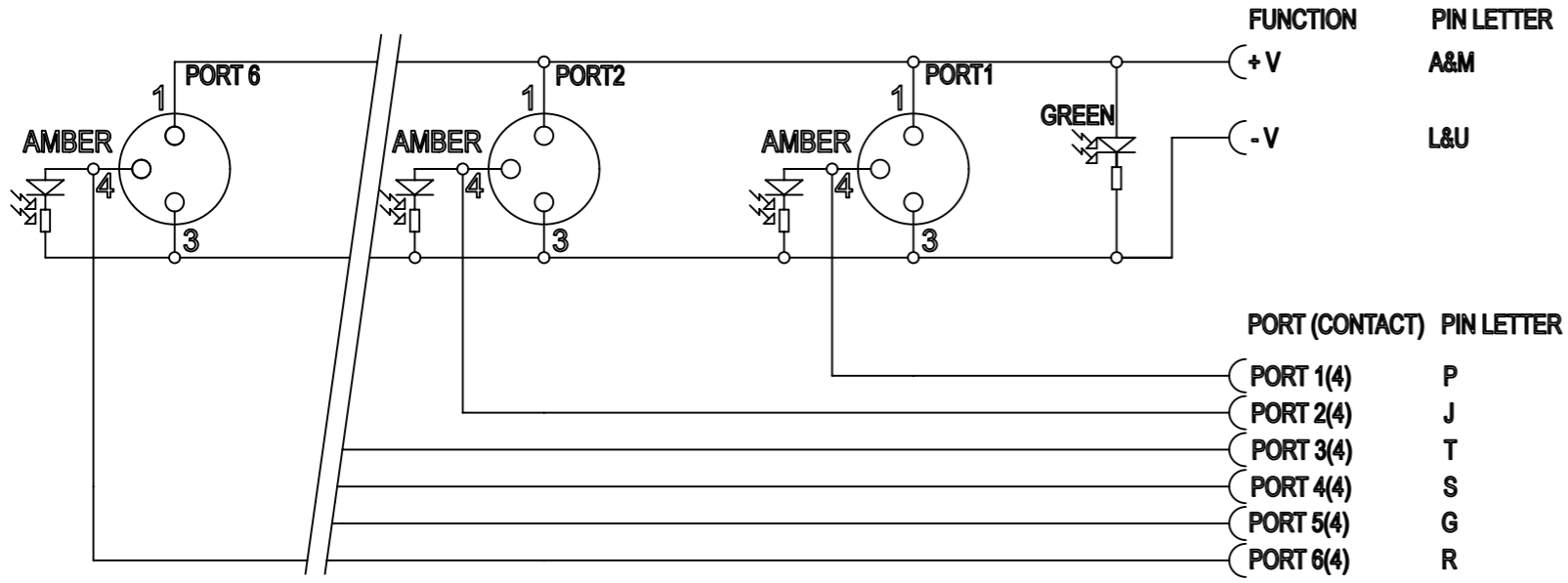
NOMINAL VOLTAGE: 24 V DC
 RATED CURRENT: 2 A PER PORT / 6 A MAX: TOTAL
 IP DEGREE OF PROTECTION: IP 67
 TEMPERATURE RANGE: -25°C to + 85°C



SCALE 1:2

THIS DRAWING CONTAINS INFORMATION THAT IS PROPRIETARY TO MOLEX INCORPORATED AND SHOULD NOT BE USED WITHOUT WRITTEN PERMISSION									
EC DESCRIPTION EC NO: 100800 DRWN: AAHLERS CHK'D: RSILLER APPR: RSILLER	2015/07/20	2015/07/23	2015/07/23	QUALITY SYMBOLS	GENERAL TOLERANCES (UNLESS SPECIFIED)	DIMENSION UNITS	SCALE		
	AAHLERS	RSILLER	RSILLER	= 0 = 0 = 0 = 0 = 0 = 0 = 0 = 0 = 0 = 0		mm	1:1		
	DRWN BY	CHK'D BY	APPR BY	ANGULAR TOL ± ° 4 PLACES ± 3 PLACES ± 2 PLACES ± 0.2 1 PLACE ± 0.3 0 PLACES ± 0.5		DATE	DATE		
	2015/07/20	2015/07/23	2015/07/23	DRAFT WHERE APPLICABLE MUST REMAIN WITHIN DIMENSIONS		AAHLERS	2015/07/20		
DRAWING SIZE		THIRD ANGLE PROJECTION		PRODUCT CUSTOMER DRAWING		SERIES	MATERIAL NUMBER	CUSTOMER	
A3				MPIS M8 PNP NOS 3P 6PT 10P M16 BK SINGLE		120247	SEE TABLE 1	GENERAL MARKET	
						DOCUMENT NUMBER	DOC TYPE	DOC PART	SHEET NUMBER
						1202470061	PSD	000	1 OF 2

Wiring Diagram Single PNP



THIS DRAWING CONTAINS INFORMATION THAT IS PROPRIETARY TO MOLEX INCORPORATED AND SHOULD NOT BE USED WITHOUT WRITTEN PERMISSION

EC DESCRIPTION EC NO: 100800 DRWN: AAHLERS CHK'D: RSILLER APPR: RSILLER	2015/07/20 2015/07/23 2015/07/23	QUALITY SYMBOLS ∇ = 0 ∇ = 0 ∇ = 0 ▼ = 0 ∇ = 0 ☒ = 0 ■ = 0 ∇ = 0	GENERAL TOLERANCES (UNLESS SPECIFIED) ANGULAR TOL ± ° 4 PLACES ± 3 PLACES ± 2 PLACES ± 0.2 1 PLACE ± 0.3 0 PLACES ± 0.5 DRAFT WHERE APPLICABLE MUST REMAIN WITHIN DIMENSIONS	DIMENSION UNITS	SCALE		
	mm			1:1			
	DRWN BY			DATE	AAHLERS 2015/07/20		
	CHK'D BY			DATE			
APPR BY		DATE		PRODUCT CUSTOMER DRAWING			
RSILLER		2015/07/23		SERIES	MATERIAL NUMBER	CUSTOMER	
A		REV		A3	THIRD ANGLE PROJECTION	GENERAL MARKET	
				120247	SEE TABLE 1	1202470061	
				1202470061	PSD	000	
						2 OF 2	