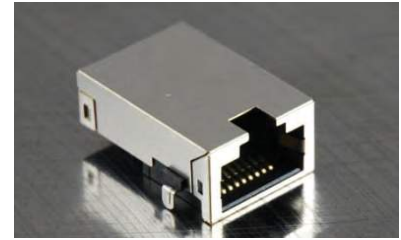


Single Port Low Profile RJ45

ARLP11-3647



- 10/100 Base-T Ethernet Application
- Impedance: 100OHMS
- Transmit open circuit inductance (OCL):  
(OCL): 350uH (MIN) @100KHz,0.1VRMS with 8mA DC Bias
- RJ45 jack cavity conforms to FCC rules and regulations Part 68, SUB Part F
- Standard operating temp: 0°C to +70°C
- Storage temperature range: -40°C to +85°C
- Optional Gold Plating Thickness Available

Electrical Specifications @ 25°C

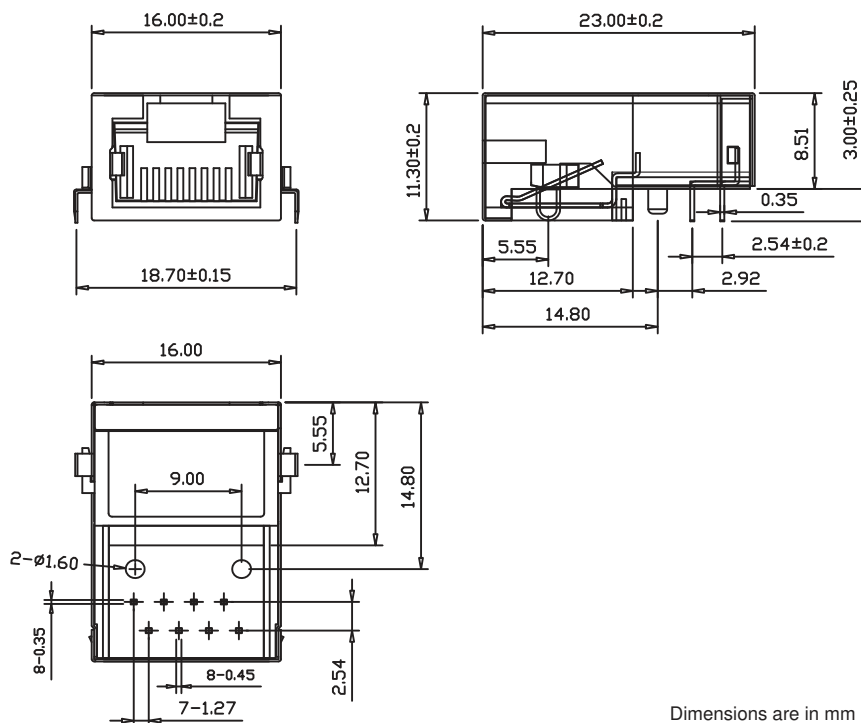
| Part Number | OCL(uH Min)<br>@ 100kHz, 0.1V | Turns Ratio<br>chip: cable<br>(±3%) | Insertion Loss<br>(dB Max) |       | Return Loss<br>(dB Min) |       |
|-------------|-------------------------------|-------------------------------------|----------------------------|-------|-------------------------|-------|
|             | With 8mA DC Bias              |                                     | 0.3-100MHz                 | 30MHz | 50MHz                   | 80MHz |
| ARLP11-3647 | 350                           | 1CT:1CT                             | -1.0                       | -18   | -15                     | -12   |

Electrical Specifications @ 25°C

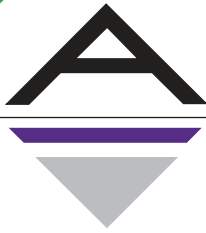
| Part Number | Cross Talk<br>(dB Min) |       |        | CMR<br>(dB Min) |       |        | HI-POT<br>(Vrms)<br>0.5mA/2Sec. |
|-------------|------------------------|-------|--------|-----------------|-------|--------|---------------------------------|
|             | 30MHz                  | 60MHz | 100MHz | 30MHz           | 60MHz | 100MHz |                                 |
| ARLP11-3647 | -38                    | -38   | -38    | -40             | -40   | -40    | 1500                            |

All specifications subject to change without notice.

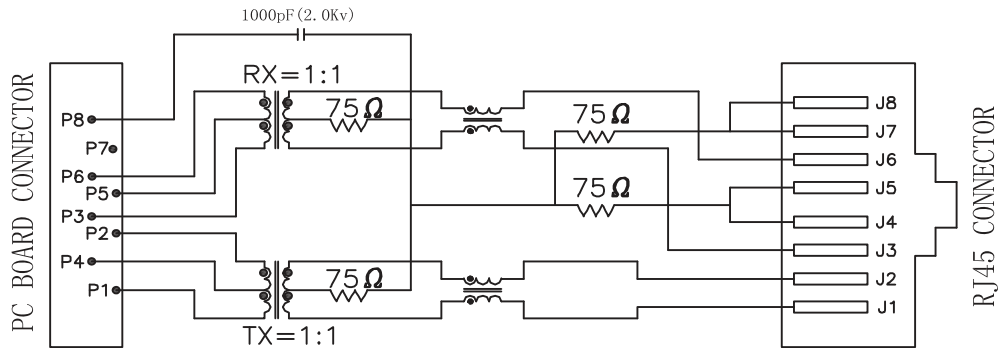
MECHANICAL



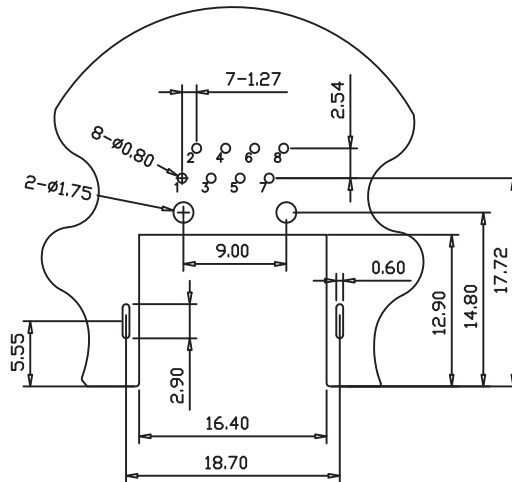
Dimensions are in mm



SCHEMATICS



PCB LAYOUT



NOTES

1. Shield- 0.25mm THICKNESS BRASS C2680 H.  
PLATING NICKEL 30u"-50u"
2. Housing- Standard Material PA66, Glass filled  
Polyester UL94V-0 Standard Color Black.
3. RJ Terminal- Pin: 0.35mm Thickness Phos-Bronze C5210 EH.  
Plating: Nickel 40u"-60u" for all and Sn 100%, and  
6u" Gold Plating.
4. Input Terminal- Plastic: PBT, Glass Filled, UL94V-0,  
Standard Color Black.  
Pin: 0.35mm Thickness Phos-Bronze C2680.  
Plating: Nickel 40u"-60u" for all and Sn 100%.