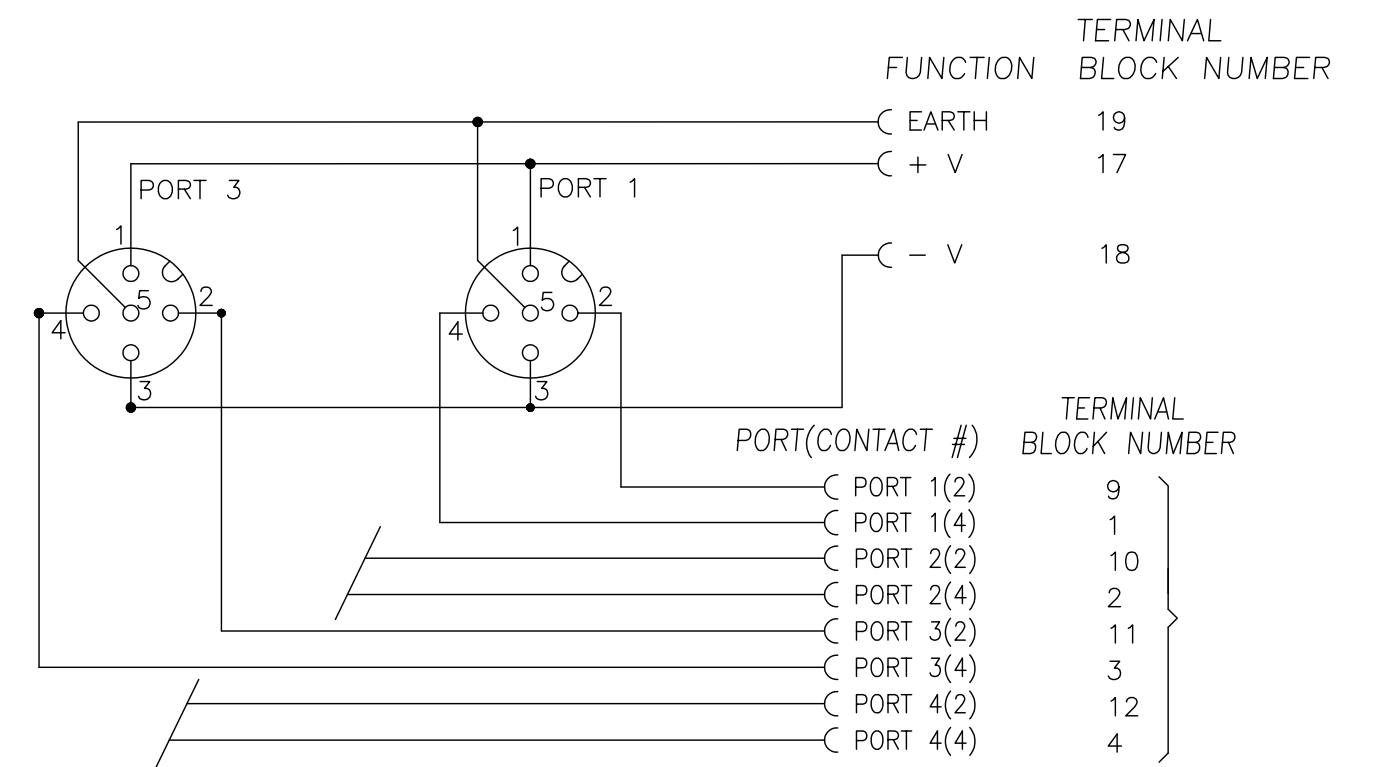
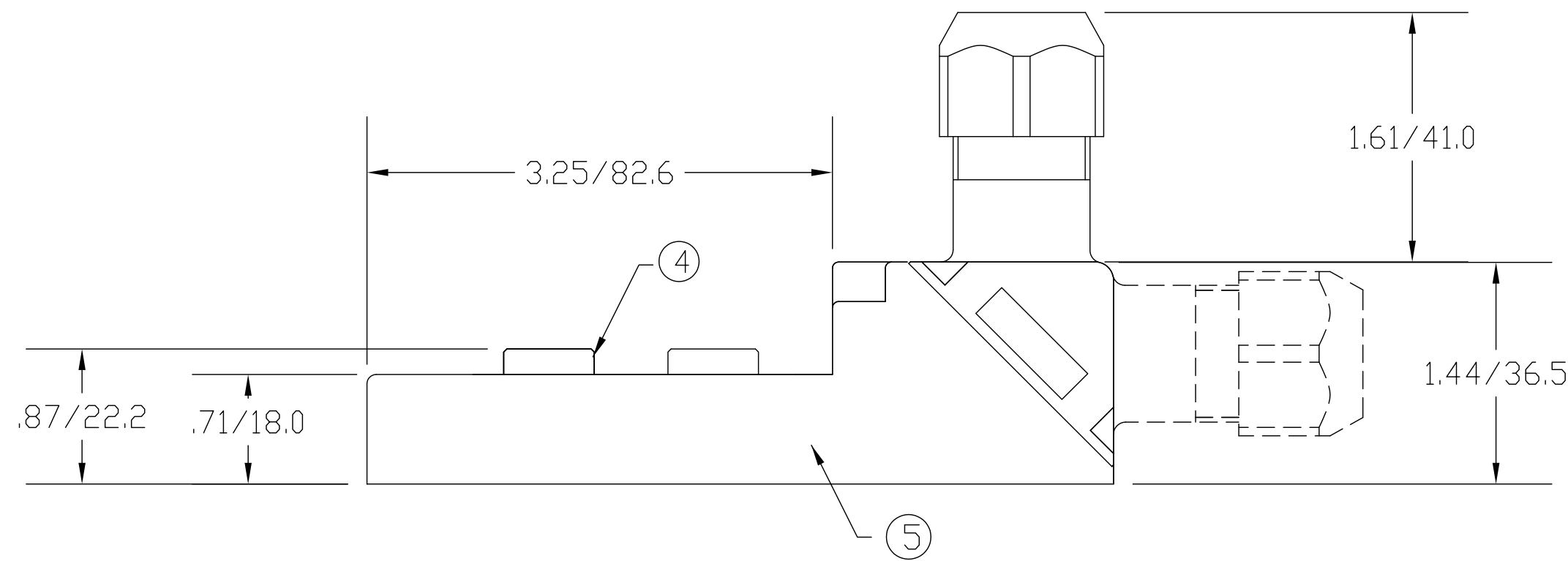
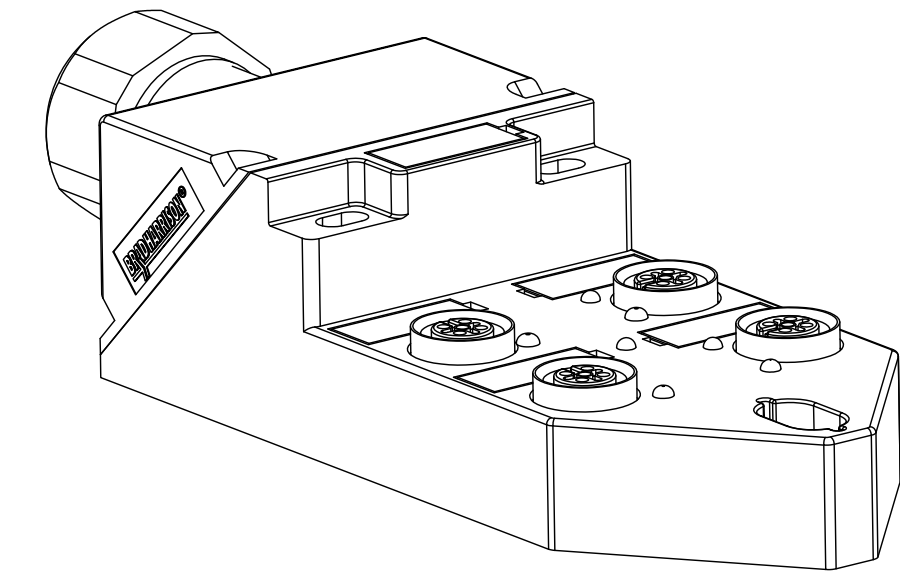
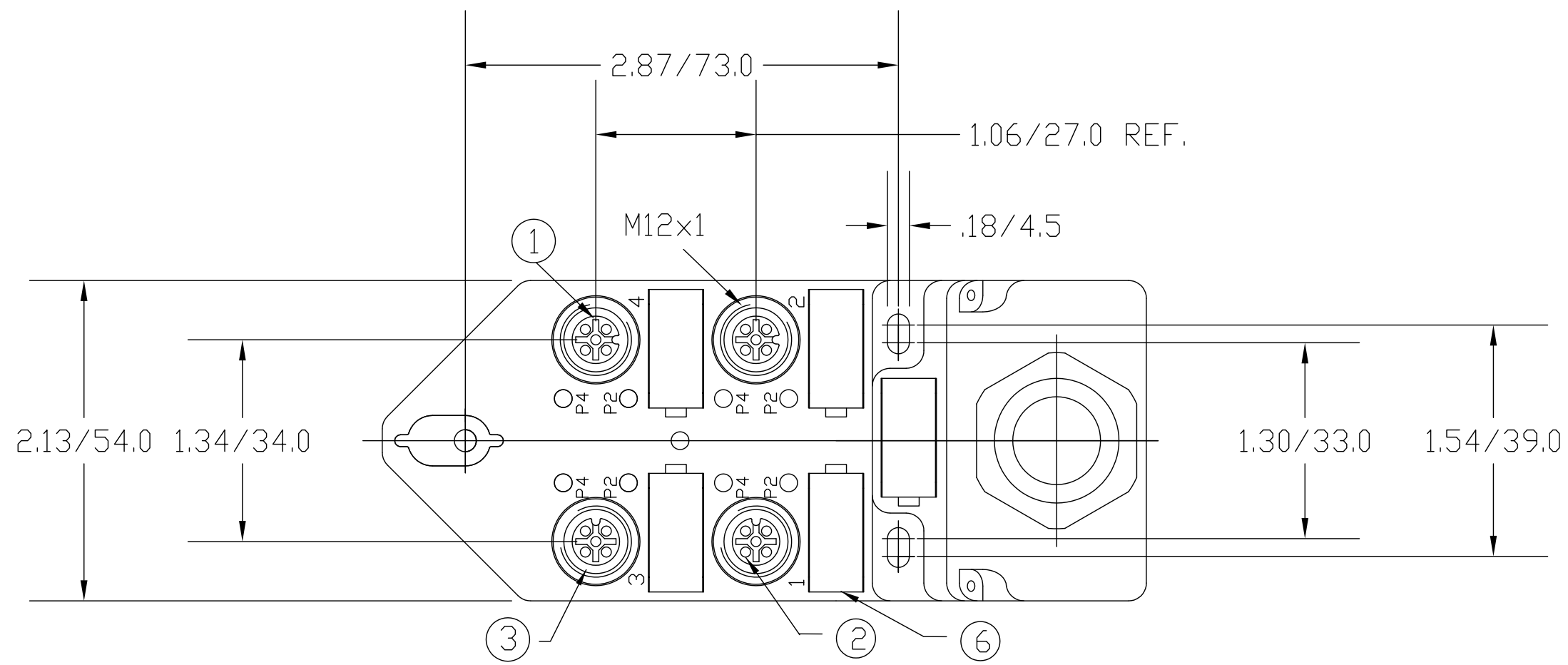


MATERIAL NUMBER	OLD PART NUMBER
1201140034	BTY4□30-FBA



WIRING DIAGRAM

VOLTAGE RATING	10-30 VDC
AMPERAGE RATING PER PORT	4 AMPS
PROTECTION	IP67
OPERATING TEMPERATURE	-20°C TO 90°C

ITEM	COMPONENT	MATERIAL	FINISH
1	INSERT	PBT	YELLOW
2	CONTACT SOCKET	COPPER ALLOY	GOLD OVER NICKEL
3	O-RING	VITON	RED
4	RECEPTACLE SHELL	BRASS	NICKEL PLATED
5	HOUSING	PBT	YELLOW
6	LABEL	ABS	WHITE

RLSO DRAWING EC NO: WEU2010-0374 DRWN: FPACHER 2010/02/16 CH'KD: NS APPR: NSTAUDIG 2010/02/18	QUALITY SYMBOL	DESCRIPTION
	▽=0	
	∇=0	
	REV	

GENERAL TOLERANCES (UNLESS SPECIFIED)	
	IN/MM
4 PLACES	±.01 / ±.25
3 PLACES	±.02 / ±.50
2 PLACES	±.03 / ±.75
1 PLACE	±.04 / ±.10
ANGULAR ±°	
DRAFT WHERE APPLICABLE MUST REMAIN WITHIN DIMENSIONS	

DIMENSION STYLE	
IN/MM	
DRAWN BY	DATE
BW	2009/04/03
CHECKED BY	DATE
TW	2009/04/03
APPROVED BY	DATE
NSTAUDIG	2010/02/18
MATERIAL NO.	
SEE CHART	
SIZE	
C	

SCALE	DESIGN UNITS	THIRD ANGLE PROJECTION
----	METRIC	
TITLE		
MICRO-CHANGE MPIS 4 PORT TOP MOUNT TWIN I/O ATTACHABLE		
MOLEX INCORPORATED		
DOCUMENT NO.	SHEET NO.	
SD-120114-012	1 OF 1	
THIS DRAWING CONTAINS INFORMATION THAT IS PROPRIETARY TO MOLEX INCORPORATED AND SHOULD NOT BE USED WITHOUT WRITTEN PERMISSION		