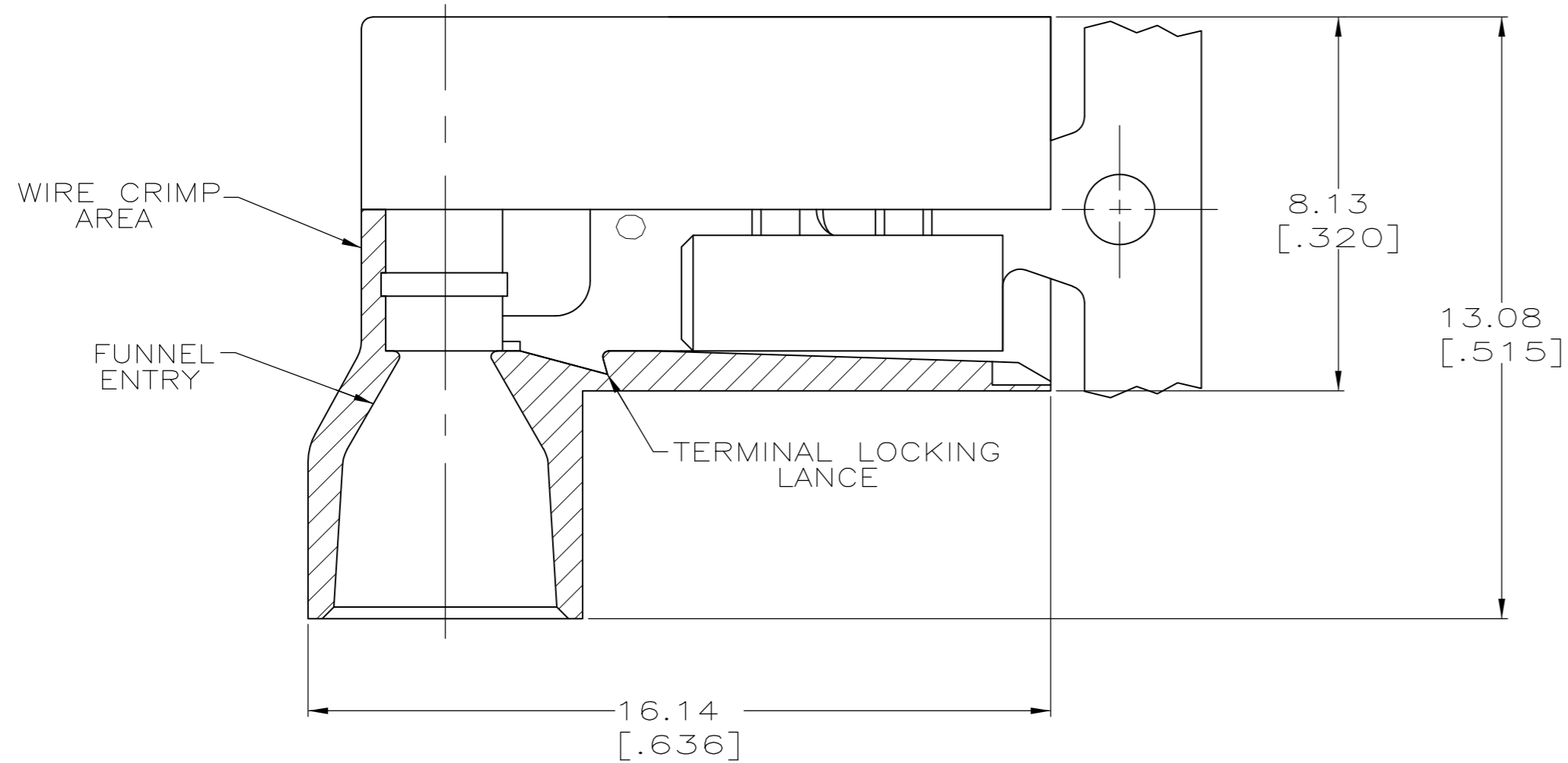
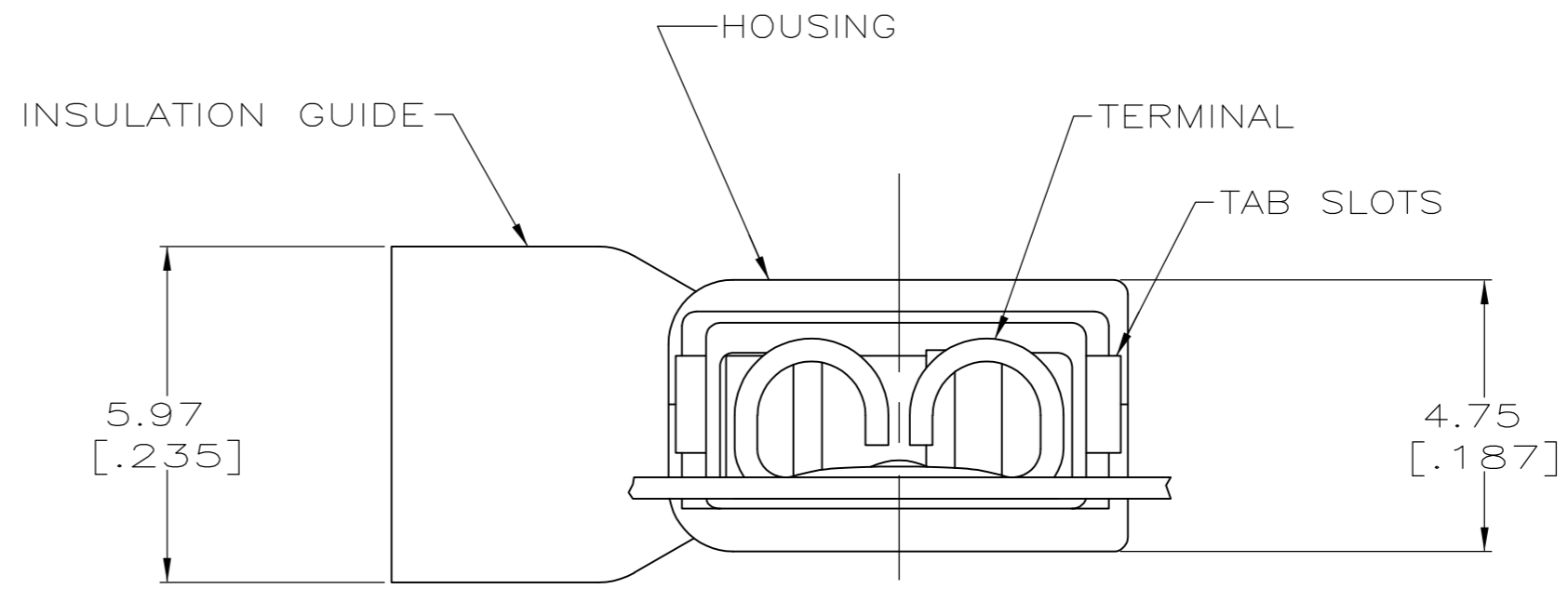
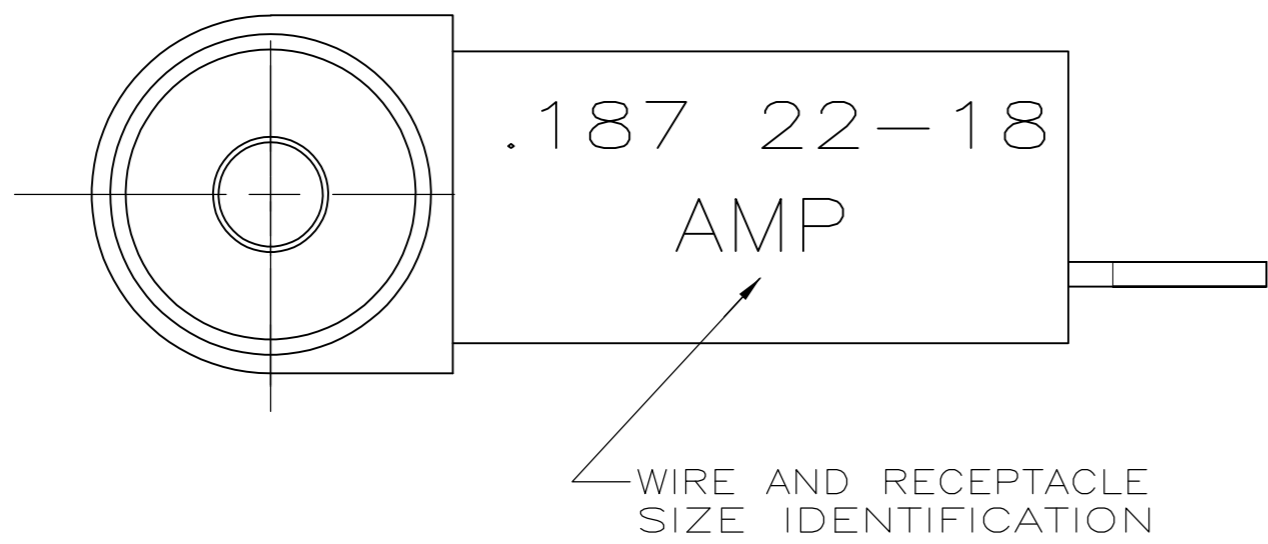


THIS DRAWING IS UNPUBLISHED. RELEASED FOR PUBLICATION
 © COPYRIGHT - By - ALL RIGHTS RESERVED.

LOC		DIST		REVISIONS			
P	LTR	DESCRIPTION		DATE	DWN	APVD	
AF	50	N		REVISED PER ECR-13-004343	30JUL13	KH	KR



- 1 FITS 0.51±0.025 X 4.75 [.020±.001 X .187] TAB
- 2 WIRE SIZE: 0.3-0.9mm² [22-18 AWG], STRANDED ONLY. STRIP LENGTH 7.14 [.281]
- 3 INSULATION SIZE: 4.19 [.165] MAX DIA.
- 4 CONTINUOUS STRIP.



BULK	TYPE 6/6 NYLON	RED TRANSLUCENT BLACK TRANSLUCENT RED TRANSLUCENT	BRASS	TIN	5-520334-2
STANDARD					9-520334-2
PACKAGING	MATERIAL	COLOR	MATERIAL	FINISH	2-520334-2
HOUSING			TERMINAL		PART NUMBER
THIS DRAWING IS A CONTROLLED DOCUMENT.			DWN P FORTNEY 8/6/90		
DIMENSIONS: mm [INCHES]			CHK MS FEHER 8/8/90		
TOLERANCES UNLESS OTHERWISE SPECIFIED:			APVD B BRATINA 8/9/90		
0 PLC ± - 1 PLC ± - 2 PLC ± 0.38 [.015] 3 PLC ± - 4 PLC ± - ANGLES ± -			NAME PRODUCT SPEC 108-2043		
MATERIAL SEE TABLE			FINISH SEE TABLE	APPLICATION SPEC 114-2123	RESTRICTED TO -
WEIGHT -			SCALE A2	CAGE CODE 00779	DRAWING NO C=520334
CUSTOMER DRAWING			SCALE 8:1	SHEET 1 of 1	REV N