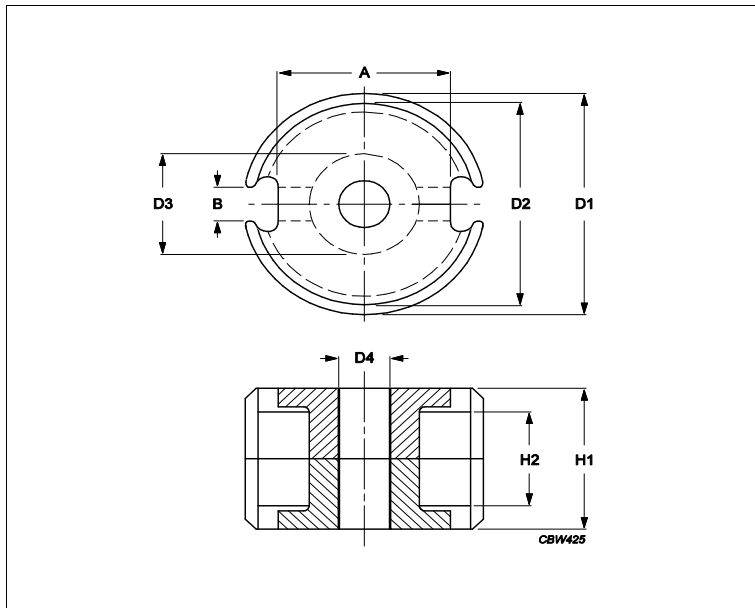


## Core **P30/19**



Effective parameters			
	Parameter	Value	Unit
$\Sigma(I/A)$	core factor (C1)	0.33	mm <sup>-1</sup>
<b>Ve</b>	effective volume	6190	mm <sup>3</sup>
<b>Le</b>	effective length	45.2	mm
<b>Ae</b>	effective area	137	mm <sup>2</sup>
<b>Amin</b>	minimum area	116	mm <sup>2</sup>
<b>m</b>	P30/19	≈ 34	g/set

**Dimensions for product: P30/19**

	Nom	Tol +	Tol -	Max	Min	Unit
<b>A</b>	20.50	0.50	0.50	21.00	20.00	mm
<b>B</b>	4.30	0.60	0.60	4.90	3.70	mm
<b>D1</b>	30.00	0.50	0.50	30.50	29.50	mm
<b>D2</b>	25.00	0.80	0.00	25.80	25.00	mm
<b>D3</b>	13.50	0.00	0.40	13.50	13.10	mm
<b>D4</b>	5.40	0.20	0.00	5.60	5.40	mm
<b>H1</b>	18.80	0.20	0.20	19.00	18.60	mm
<b>H2</b>	13.00	0.40	0.00	13.40	13.00	mm

**Inductance factor**

Material	Value	Tol +	Tol -	Unit
3C91	8300	25%	25%	nH/turns <sup>2</sup>
3C95	8300	25%	25%	nH/turns <sup>2</sup>
3F36	4200	25%	25%	nH/turns <sup>2</sup>
3F46	2600	25%	25%	nH/turns <sup>2</sup>

**Power loss: 3C91**

Measuring conditions			Max	Unit
100 kHz	200 mT	60 °C	3.100	W/set

**Power loss: 3C95**

Measuring conditions			Max	Unit
100 kHz	200 mT	100 °C	3.000	W/set
100 kHz	200 mT	25 °C	3.200	W/set

## Core **P30/19**

### Power loss: 3F36

Measuring conditions			Max	Unit
500 kHz	50 mT	100 °C	0.930	W/set
500 kHz	100 mT	100 °C	7.100	W/set

### Power loss: 3F46

Measuring conditions			Max	Unit
1000 kHz	50 mT	100 °C	3.700	W/set
3000 kHz	10 mT	100 °C	2.400	W/set

### Bsat

Measuring conditions			Material	Min	Unit
25 kHz	250 A/m	100 °C	3C91	320	mT
25 kHz	250 A/m	100 °C	3C95	330	mT
25 kHz	250 A/m	100 °C	3F36	340	mT
25 kHz	250 A/m	100 °C	3F46	330	mT

### Accessories

Ordering name	Description	Ordering code
CLM/TS-P30/19-C	Clamp, self locking, screwed	432202126341
CON-P30/19	Container	432202103071
CP-P30/19-1S	Coil former, termoplastic	432202102471
CP-P30/19-1S-A	Coil former, termoplastic	433500026231
CP-P30/19-2S	Coil former, termoplastic	432202102481
CP-P30/19-3S	Coil former, termoplastic	432202102491
CPV-P30/19-1S-6PDL-Z	Coil former, termoplastic, vertical	433506026651
CPV-P30/19-1S-6PD-Z	Coil former, termoplastic, vertical	433506026641
SPR-P30/19	Spring	432202130672
TGP-P30/19-C	Tag plante	432202104301