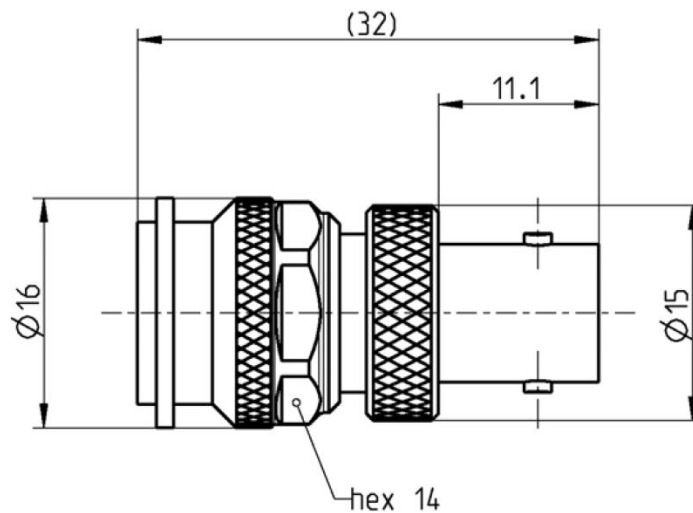


TNC 50 Ω
BNC 50 Ω

Adaptor
TNC 50 Ω Plug –
BNC 50 Ω Jack

56S151-K00N5



All dimensions are in mm; tolerances according to ISO 2768 m-H

Interface

According to	BNC side	DIN EN 61169-8
	TNC side	IEC 60169-17, MIL-PRF-39012, DIN EN 122200

Documents

N/A

Material and plating

Connector parts

Center contact BNC and TNC side
Outer contact BNC and TNC side
Body
Dielectric
Gasket

Material

CuBe
Brass
Brass
PTFE
NeopreneCR 50C6

Plating

AuroDur®, gold plated
Flash white bronze over silver(e.g. Optargen®)
Flash white bronze over silver(e.g. Optargen®)

TNC 50 Ω
BNC 50 Ω

Adaptor
TNC 50 Ω Plug –
BNC 50 Ω Jack

56S151-K00N5

Electrical data

Impedance	50 Ω
Frequency	DC to 10 GHz
Return loss	≥ 35 dB @ DC to 1 GHz ≥ 26 dB @ 1 GHz to 2 GHz ≥ 18 dB @ 2 GHz to 4 GHz
Insertion loss	≤ 0.05 x √ f [GHz] dB, DC to 4 GHz
Insulation resistance	≥ 5 GΩ
Center contact resistance	≤ 1.5 mΩ BNC and TNC side
Outer contact resistance	≤ 1 mΩ BNC and TNC side
Test voltage (at sea level)	1500 V rms
Working voltage (at sea level)	500 V rms
Power handling (at 20 °C, sea level, VSWR 1.0)	80 W @ 2 GHz

Mechanical data

	BNC side	TNC side
Mating cycles	≥ 500	≥ 500
Center contact captivation: axial	≥ 15 N	≥ 15 N
Coupling test torque	N/A	≤ 1.7 Nm
Recommended torque	N/A	0.46 Nm to 0.69 Nm

Environmental data

Temperature range	-65 °C to +165 °C
Thermal shock	MIL-STD-202, Method 107, Condition B
Corrosion	MIL-STD-202, Method 101, Condition B
Vibration	MIL-STD-202, Method 204, Condition B
Shock	MIL-STD-202, Method 213, Condition G
Moisture resistance	MIL-STD-202, Method 106
RoHS	compliant

Tooling

N/A

Suitable cables

N/A

Weight

Weight 22.6 g/pce

While the information has been carefully compiled to the best of our knowledge, nothing is intended as representation or warranty on our part and no statement herein shall be construed as recommendation to infringe existing patents. In the effort to improve our products, we reserve the right to make changes judged to be necessary.

For the installation of the electrotechnical equipment, particular electrotechnical expertise is required.



Draft	Date	Approved	Date	Rev.	Engineering change number	Name	Date
Inge Mühlauer	10.08.04	Chr. Janßen	02.02.21	g00	20-1927	S. Huber-Siegl	02.02.21

Rosenberger Hochfrequenztechnik GmbH & Co. KG P.O.Box 1260 D-84526 Tittmoning Germany www.rosenberger.com				Tel. : +49 8684 18-0 Email : info@rosenberger.com		Page 2 / 2
--	--	--	--	--	--	---------------