

NBC-PP-J1PGY-S/R4IDC8 - DIN rail adapter



1100077

<https://www.phoenixcontact.com/us/products/1100077>

Please be informed that the data shown in this PDF document is generated from our online catalog. Please find the complete data in the user documentation. Our general terms of use for downloads are valid.



DIN rail adapter, degree of protection: IP20, number of positions: 8, 10 Gbps, CAT6_A, material: PC-GF10, connection method: IDC connection, connection cross section: AWG 26- 22, Item set, DIN rail adapter including RJ45 cable connection module

Product description

Compact DIN rail adapter, including RJ45 cable connection module, with optional shield connection, with dust protection cover, one-piece design

Your advantages

- Compact design

Commercial data

Item number	1100077
Packing unit	1 pc
Minimum order quantity	1 pc
Sales key	AB11
Product key	ABNLAA
GTIN	4055626951447
Weight per piece (including packing)	48.8 g
Weight per piece (excluding packing)	48 g
Customs tariff number	85366990
Country of origin	DE

NBC-PP-J1PGY-S/R4IDC8 - DIN rail adapter



1100077

<https://www.phoenixcontact.com/us/products/1100077>

Set consists of

NBC-PP-G1PGY - DIN rail adapter

1041740

<https://www.phoenixcontact.com/us/products/1041740>



DIN rail adapter, design: Headers with shielding, degree of protection: IP20, material: PC-GF10, connection method: Quick connection, without assembled modules

CUC-I-J1ZNI-S/R4IDC8 - RJ45 jack insert

1417274

<https://www.phoenixcontact.com/us/products/1417274>



RJ45 jack insert, design: RJ45, degree of protection: IP20, number of positions: 8, 10 Gbps, CAT6_A, material: Metal, connection method: IDC connection, connection cross section: AWG 26- 22, cable outlet: straight, Adapter-free design, Ethernet

NBC-PP-J1PGY-S/R4IDC8 - DIN rail adapter



1100077

<https://www.phoenixcontact.com/us/products/1100077>

Technical data

Notes

General	Set item with RJ45 cable connection module
---------	--

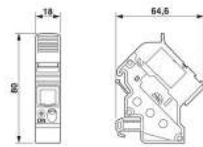
Product properties

Type	RJ45
Product type	Patch panel
Number of positions	8
Number of slots	1

Electrical properties

Rated voltage (III/3)	72 V (DC)
Frequency range	500 MHz
Contact resistance	≤ 5 mΩ (Shield-ground, optional)
Transmission medium	Copper

Dimensions

Dimensional drawing	
Width	18 mm
Height	80 mm
Depth	64.6 mm

Material specifications

Flammability rating according to UL 94	V0
Material, protective cover	PC
Housing material	PC-GF10

Cable/line

External cable diameter ()	4.5 mm ... 9 mm
-----------------------------	-----------------

Environmental and real-life conditions

Ambient conditions

Degree of protection	IP20
----------------------	------

Mounting

Mounting type	DIN rail mounting
Connection method	IDC connection

NBC-PP-J1PGY-S/R4IDC8 - DIN rail adapter

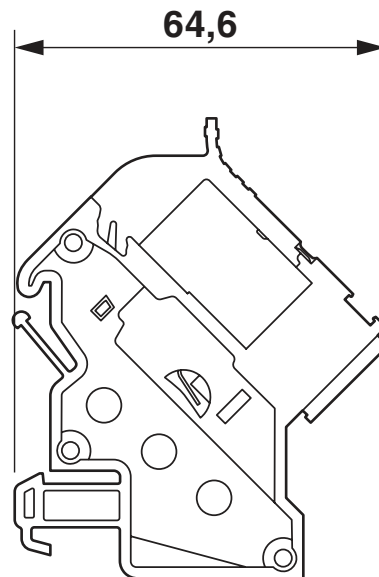
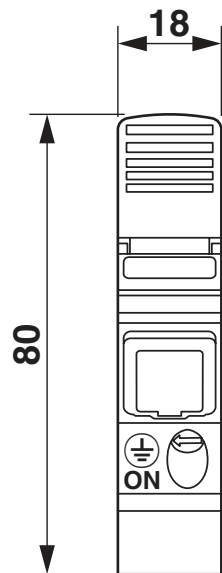


1100077

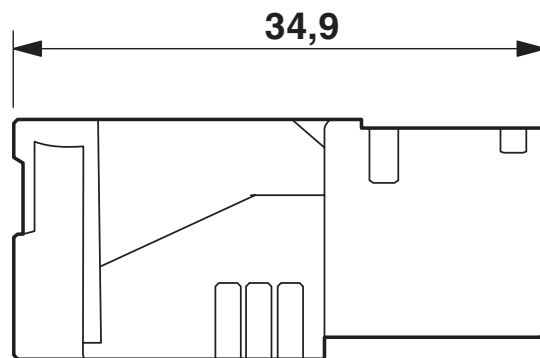
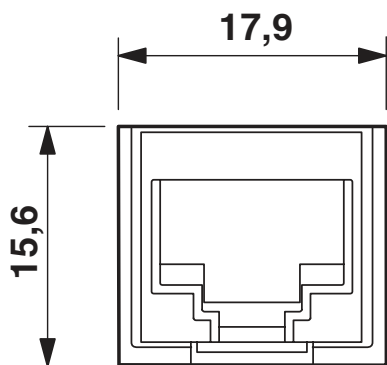
<https://www.phoenixcontact.com/us/products/1100077>

Drawings

Dimensional drawing



Dimensional drawing



RJ45 socket insert

NBC-PP-J1PGY-S/R4IDC8 - DIN rail adapter



1100077

<https://www.phoenixcontact.com/us/products/1100077>

Approvals

To download certificates, visit the product detail page: <https://www.phoenixcontact.com/us/products/1100077>



EAC

Approval ID: 19060508

NBC-PP-J1PGY-S/R4IDC8 - DIN rail adapter



1100077

<https://www.phoenixcontact.com/us/products/1100077>

Classifications

ECLASS

ECLASS-11.0	19170112
ECLASS-12.0	19170112
ECLASS-13.0	19170112

ETIM

ETIM 8.0	EC002635
----------	----------

UNSPSC

UNSPSC 21.0	39121400
-------------	----------

NBC-PP-J1PGY-S/R4IDC8 - DIN rail adapter



1100077

<https://www.phoenixcontact.com/us/products/1100077>

Environmental product compliance

China RoHS	Environmentally friendly use period: unlimited = EFUP-e
	No hazardous substances above threshold values

NBC-PP-J1PGY-S/R4IDC8 - DIN rail adapter



1100077

<https://www.phoenixcontact.com/us/products/1100077>

Accessories

NBC-PP-P1PGY:10 - Dust protection cover

1041860

<https://www.phoenixcontact.com/us/products/1041860>

Dust protection cover



NBC-PP-F1PWH:10 - Plug Guard Security Frame

1041881

<https://www.phoenixcontact.com/us/products/1041881>

Plug Guard Security Frame



NBC-PP-J1PGY-S/R4IDC8 - DIN rail adapter

1100077

<https://www.phoenixcontact.com/us/products/1100077>

NBC-PP-A1PRD:10 - Port Guard Security Element

1041900

<https://www.phoenixcontact.com/us/products/1041900>



Port Guard Security Element

UC-TMF 16 - Marker for terminal blocks

0819262

<https://www.phoenixcontact.com/us/products/0819262>



Marker for terminal blocks, Sheet, white, unlabeled, can be labeled with: BLUEMARK ID COLOR, BLUEMARK ID, BLUEMARK CLED, PLOTMARK, CMS-P1-PLOTTER, mounting type: snapped, for terminal block width: 16 mm, lettering field size: 15.45 x 5.1 mm, Number of individual labels: 32

NBC-PP-J1PGY-S/R4IDC8 - DIN rail adapter



1100077

<https://www.phoenixcontact.com/us/products/1100077>

UC-TMF 16 CUS - Marker for terminal blocks

0824678

<https://www.phoenixcontact.com/us/products/0824678>



Marker for terminal blocks, can be ordered: by sheet, white, labeled according to customer specifications, mounting type: snap into flat marker groove, for terminal block width: 16 mm, lettering field size: 15.45 x 5.1 mm, Number of individual labels: 32

FL DIN RA - DIN rail adapter

2891053

<https://www.phoenixcontact.com/us/products/2891053>



The FL DIN RA is installed in a standard, 19-inch rack (EIA-310-D, IEC 60297-3-100) to allow DIN rail mounted equipment to be rack mounted.

NBC-PP-J1PGY-S/R4IDC8 - DIN rail adapter



1100077

<https://www.phoenixcontact.com/us/products/1100077>

UC-TMF 16 VT - Marker for terminal blocks

0822699

<https://www.phoenixcontact.com/us/products/0822699>



Marker for terminal blocks, Sheet, violet, unlabeled, can be labeled with: BLUEMARK ID COLOR, BLUEMARK ID, BLUEMARK CLED, PLOTMARK, CMS-P1-PLOTTER, mounting type: snap in, for terminal block width: 16 mm, lettering field size: 15.45 x 5.1 mm, Number of individual labels: 32

UC-TMF 16 YE - Marker for terminal blocks

0819259

<https://www.phoenixcontact.com/us/products/0819259>



Marker for terminal blocks, Sheet, yellow, unlabeled, can be labeled with: BLUEMARK ID COLOR, BLUEMARK ID, BLUEMARK CLED, PLOTMARK, CMS-P1-PLOTTER, mounting type: snapped, for terminal block width: 16 mm, lettering field size: 15.45 x 5.1 mm, Number of individual labels: 32

NBC-PP-J1PGY-S/R4IDC8 - DIN rail adapter



1100077

<https://www.phoenixcontact.com/us/products/1100077>

UC-TMF 16 RD CUS - Marker for terminal blocks

0824682

<https://www.phoenixcontact.com/us/products/0824682>



Marker for terminal blocks, can be ordered: by sheet, red, labeled according to customer specifications, mounting type: snap into flat marker groove, for terminal block width: 16 mm, lettering field size: 15.45 x 5.1 mm, Number of individual labels: 32

UC-TMF 16 GN - Marker for terminal blocks

0817921

<https://www.phoenixcontact.com/us/products/0817921>



Marker for terminal blocks, Sheet, green, unlabeled, can be labeled with: BLUEMARK ID COLOR, BLUEMARK ID, BLUEMARK CLED, PLOTMARK, CMS-P1-PLOTTER, mounting type: snapped, for terminal block width: 16 mm, lettering field size: 15.45 x 5.1 mm, Number of individual labels: 32

NBC-PP-J1PGY-S/R4IDC8 - DIN rail adapter



1100077

<https://www.phoenixcontact.com/us/products/1100077>

UC-TMF 16 BU CUS - Marker for terminal blocks

0824679

<https://www.phoenixcontact.com/us/products/0824679>



Marker for terminal blocks, can be ordered: by sheet, blue, labeled according to customer specifications, mounting type: snap into flat marker groove, for terminal block width: 16 mm, lettering field size: 15.45 x 5.1 mm, Number of individual labels: 32

UC-TMF 16 OG - Marker for terminal blocks

0817811

<https://www.phoenixcontact.com/us/products/0817811>



Marker for terminal blocks, Sheet, orange, unlabeled, can be labeled with: BLUEMARK ID COLOR, BLUEMARK ID, BLUEMARK CLED, PLOTMARK, CMS-P1-PLOTTER, mounting type: snapped, for terminal block width: 16 mm, lettering field size: 15.45 x 5.1 mm, Number of individual labels: 32

NBC-PP-J1PGY-S/R4IDC8 - DIN rail adapter



1100077

<https://www.phoenixcontact.com/us/products/1100077>

UC-TMF 16 OG CUS - Marker for terminal blocks

0824681

<https://www.phoenixcontact.com/us/products/0824681>



Marker for terminal blocks, can be ordered: by sheet, orange, labeled according to customer specifications, mounting type: snap into flat marker groove, for terminal block width: 16 mm, lettering field size: 15.45 x 5.1 mm, Number of individual labels: 32

UC-TMF 16 VT CUS - Marker for terminal blocks

0824683

<https://www.phoenixcontact.com/us/products/0824683>



Marker for terminal blocks, can be ordered: by sheet, violet, labeled according to customer specifications, mounting type: snap into flat marker groove, for terminal block width: 16 mm, lettering field size: 15.45 x 5.1 mm, Number of individual labels: 32

NBC-PP-J1PGY-S/R4IDC8 - DIN rail adapter



1100077

<https://www.phoenixcontact.com/us/products/1100077>

UC-TMF 16 BU - Marker for terminal blocks

0817905

<https://www.phoenixcontact.com/us/products/0817905>



Marker for terminal blocks, Sheet, blue, unlabeled, can be labeled with: BLUEMARK ID COLOR, BLUEMARK ID, BLUEMARK CLED, PLOTMARK, CMS-P1-PLOTTER, mounting type: snapped, for terminal block width: 16 mm, lettering field size: 15.45 x 5.1 mm, Number of individual labels: 32

UC-TMF 16 YE CUS - Marker for terminal blocks

0824684

<https://www.phoenixcontact.com/us/products/0824684>



Marker for terminal blocks, can be ordered: by sheet, yellow, labeled according to customer specifications, mounting type: snap into flat marker groove, for terminal block width: 16 mm, lettering field size: 15.45 x 5.1 mm, Number of individual labels: 32

NBC-PP-J1PGY-S/R4IDC8 - DIN rail adapter



1100077

<https://www.phoenixcontact.com/us/products/1100077>

UC-TMF 16 GN CUS - Marker for terminal blocks

0824680

<https://www.phoenixcontact.com/us/products/0824680>



Marker for terminal blocks, can be ordered: by sheet, green, labeled according to customer specifications, mounting type: snap into flat marker groove, for terminal block width: 16 mm, lettering field size: 15.45 x 5.1 mm, Number of individual labels: 32

UC-TMF 16 RD - Marker for terminal blocks

0817824

<https://www.phoenixcontact.com/us/products/0817824>



Marker for terminal blocks, Sheet, red, unlabeled, can be labeled with: BLUEMARK ID COLOR, BLUEMARK ID, BLUEMARK CLED, PLOTMARK, CMS-P1-PLOTTER, mounting type: snapped, for terminal block width: 16 mm, lettering field size: 15.45 x 5.1 mm, Number of individual labels: 32

NBC-PP-J1PGY-S/R4IDC8 - DIN rail adapter

1100077

<https://www.phoenixcontact.com/us/products/1100077>

VS-OE-OE-93B-100,0 - Data cable

1416389

<https://www.phoenixcontact.com/us/products/1416389>



Data cable, PROFINET CAT5 (100 Mbps), 4-position, shielded, free cable end, on free cable end, cable length: 100 m

VS-OE-OE-94B-100,0 - Data cable

1416567

<https://www.phoenixcontact.com/us/products/1416567>



Data cable, Ethernet CAT5 (1 Gbps), 8-position halogen-free, shielded, free cable end, on free cable end, cable length: 100 m

NBC-PP-J1PGY-S/R4IDC8 - DIN rail adapter

1100077

<https://www.phoenixcontact.com/us/products/1100077>

VS-OE-OE-94F/... - Data cable

1417359

<https://www.phoenixcontact.com/us/products/1417359>



Data cable, Ethernet CAT6_A (10 Gbps), 8-position halogen-free, shielded, free cable end, on free cable end, cable length: Free entry (0.5 ... 400 m)

MICROFOX-SP-1 - Diagonal cutter

1212487

<https://www.phoenixcontact.com/us/products/1212487>



Electronic diagonal cutter, tapered head, without chamfer, with opening spring, non-reflective phosphate-treated surface, punched version

NBC-PP-J1PGY-S/R4IDC8 - DIN rail adapter

1100077

<https://www.phoenixcontact.com/us/products/1100077>



VS-CABLE-STRIP-VARIO - Stripping tool

1657407

<https://www.phoenixcontact.com/us/products/1657407>

Stripping tool, for the multi-level stripping of shielded cables



CUC-I-J1ZNI-S/R4IDC8 - RJ45 jack insert

1417274

<https://www.phoenixcontact.com/us/products/1417274>



RJ45 jack insert, design: RJ45, degree of protection: IP20, number of positions: 8, 10 Gbps, CAT6_A, material: Metal, connection method: IDC connection, connection cross section: AWG 26- 22, cable outlet: straight, Adapter-free design, Ethernet

Phoenix Contact 2023 © - all rights reserved
<https://www.phoenixcontact.com>

Phoenix Contact USA
586 Fulling Mill Road
Middletown, PA 17057, United States
(+717) 944-1300
info@phoenixcon.com