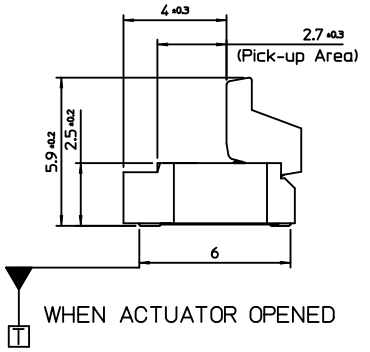
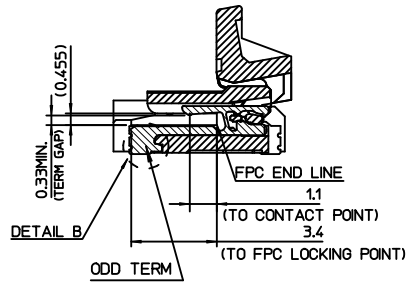
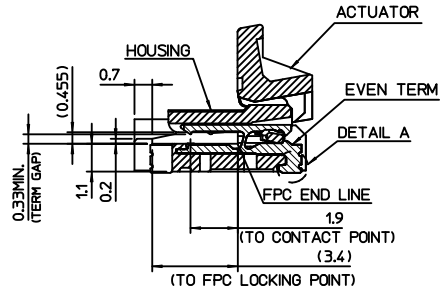
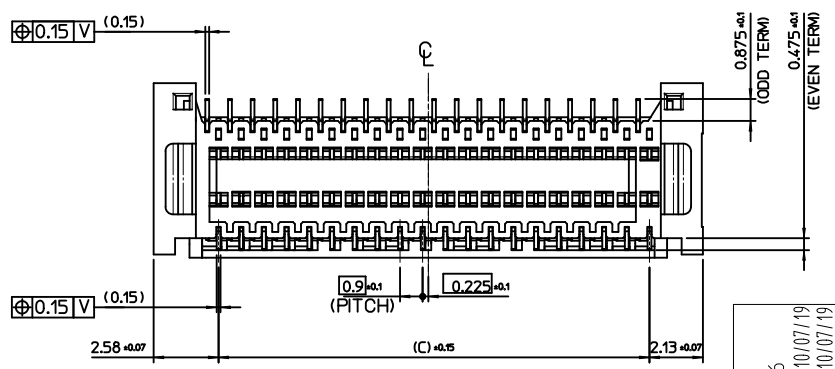
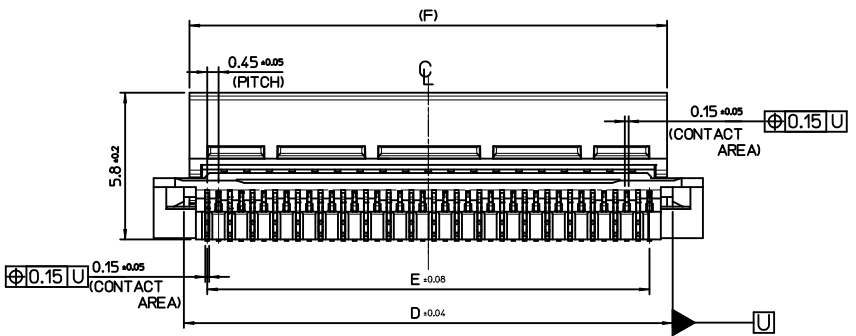
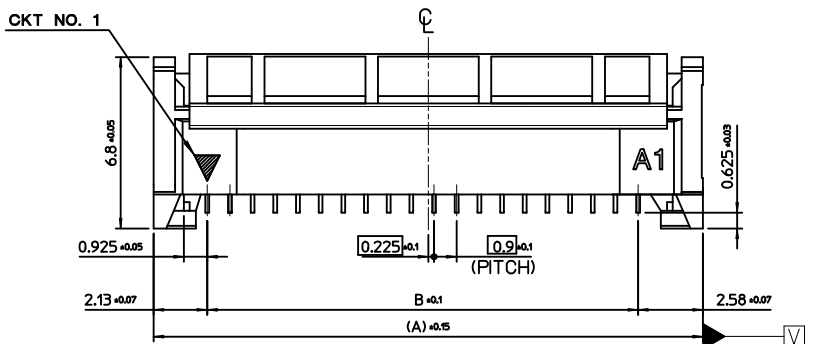
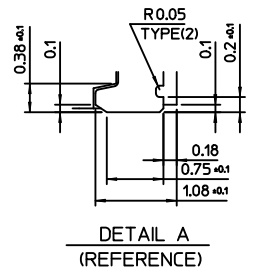


10 9 8 7 6 5 4 3 2 1

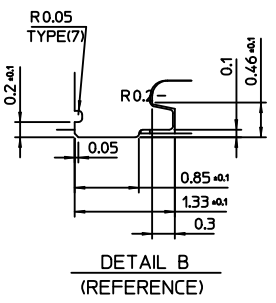


WHEN ACTUATOR OPENED

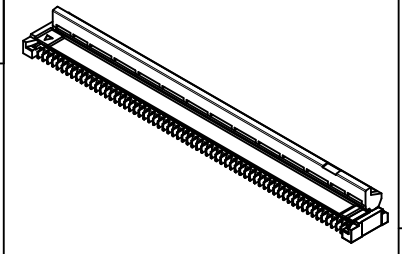
FOR LG



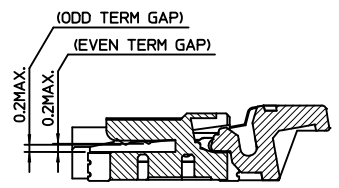
DETAIL A (REFERENCE)



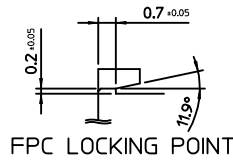
DETAIL B (REFERENCE)



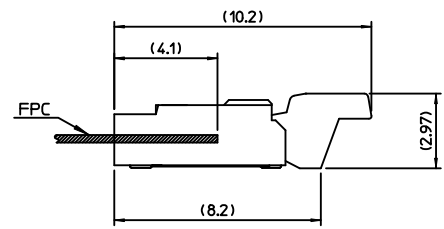
ISO-METRIC VIEW



WHEN ACTUATOR CLOSED



FPC LOCKING POINT



WHEN ACTUATOR CLOSED

62.15	60.75	62.6	60.3	60.3	65.0	104058-1361	1040581367	136
F	E	D	C	B	A	ENG. NO.	EMBOSSED PACKING	CKT

GENERAL TOLERANCES (UNLESS SPECIFIED)

	mm	INCH
4 PLACES	± ---	± ---
3 PLACES	± ---	± ---
2 PLACES	± ---	± ---
1 PLACE	± 0.3	± ---

DRAFT WHERE APPLICABLE MUST REMAIN WITHIN DIMENSIONS

DIMENSION STYLE MM ONLY

DRAWN BY	DATE	TITLE
YR.KIM	2009/06/22	0.45 FPC BACKFLIP CONN. 136P HOUSING ASSY
CHECKED BY	DATE	
YS00.KIM	2009/06/22	
APPROVED BY	DATE	
YS00.KIM	2009/06/22	

SCALE 5:1 DESIGN UNITS METRIC THIRD ANGLE PROJECTION

MOLEX INCORPORATED

SEE TABLE SD-104058-001

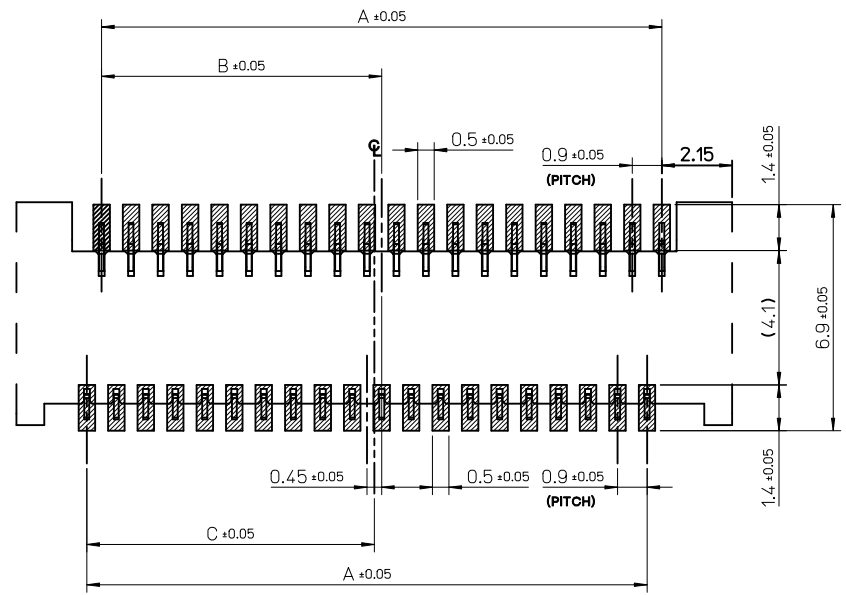
THIS DRAWING CONTAINS INFORMATION THAT IS PROPRIETARY TO MOLEX INCORPORATED AND SHOULD NOT BE USED WITHOUT WRITTEN PERMISSION

PART DESCRIPTION	DETAIL DESCRIPTION
HOUSING	LCP, GLASS FILLED, UL94V-0, COLOR:NATURAL
ACTUATOR	NYLON, GLASS FILLED, UL94V-0, COLOR:BLACK
EVEN TERMINAL	COPPER ALLOY, Au OVER Ni PLATING
ODD TERMINAL	COPPER ALLOY, Au OVER Ni PLATING

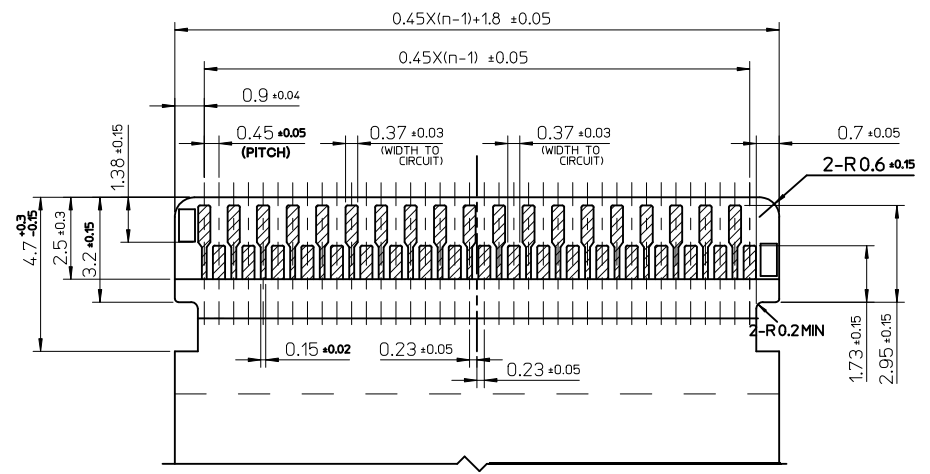
NEW RELEASE
 EC NO: KOR2010-0126
 DRWN:HJEONG 2010/07/19
 CHKD:YSOOKIM 2010/07/19
 APPR:YUNSIKKIM 2010/07/20

QUALITY SYMBOLS
 ▽=0
 ◁=0

FOR LG



APPLICABLE RECOMMENDED
P.C. BOARD PATTERN LAYOUT



APPLICABLE RECOMMENDED
FPC/FFC LAYOUT
THICKNESS : 0.3 ± 0.03

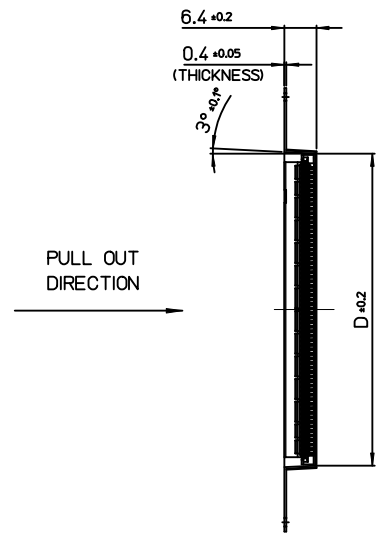
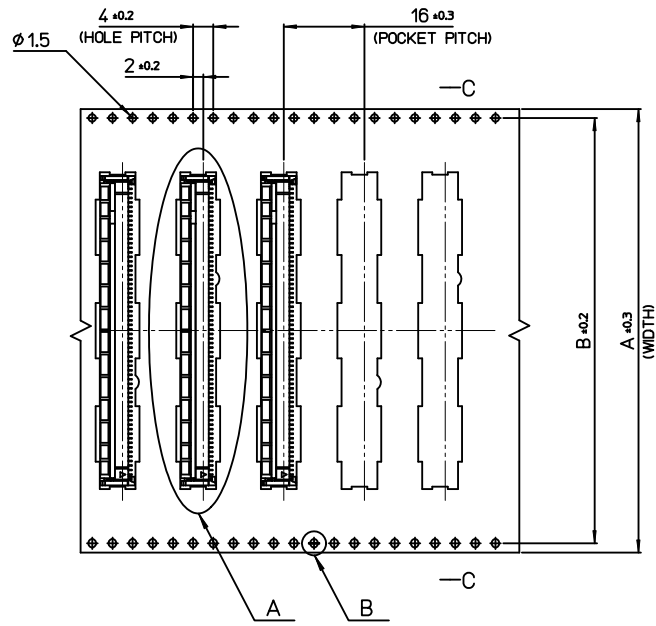
NOTES

1. MATERIAL
 - HOUSING : LCP GLASS FILLED. UL94V-0, COLOR:NATURAL
 - ACTUATOR : NYLON, GLASS FILLED. UL94V-0, COLOR:BLACK
 - TERMINAL : COPPER ALLOY
2. FINISHES
 - TERMINAL :
 - CONTACT : GOLD[Au] 0.05um MIN. OVER NICKEL(Ni) PLATING 1~3um
 - SOLDER TAIL : GOLD[Au] 0.06um MIN. OVER NICKEL(Ni) PLATING 1~3um
3. SOLDER TAILS COPLANARITY IS BEFORE REFLOW TO BE 0.08 MAX.
AFTER REFLOW TO BE 0.1 MAX.
4. PRODUCT SPECIFICATION : PS-104058-001
5. PACKING SPECIFICATION : PK-104058-001
6. ACTUATOR IS OPEN IN THE EMBOSSED PACKING
7. FPC RETENTION FORCE(CLOSED THE ACTUATOR)
 - HORIZONTALITY FORCE : 2.5 Kgf MIN.
 - VERTICALITY FORCE : 3.0 Kgf MIN.

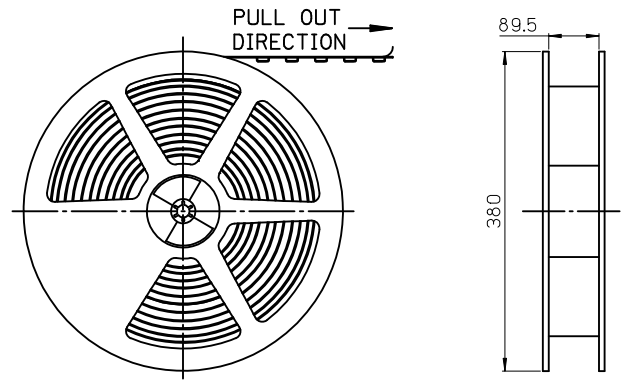
사용상 주의사항

- 입고 및 REFLOW 공정, 모듈 체결前 ACTUATOR를 CLOSE하지 마십시오.
TERMINAL이 변형될수 있으며 이로인해 접점변형에 의한
FPC 삽입성 저하 및 접점부 신뢰성 약화가 발생할수 있습니다.

NEW RELEASE EC NO: KOR2010-0126 DRWN:HJEONG 2010/07/19 CHKD:YSOOKIM 2010/07/19 APPR:YUNSIKKIM 2010/07/20	DESCRIPTION REV	QUALITY SYMBOLS	GENERAL TOLERANCES (UNLESS SPECIFIED)		DIMENSION STYLE MM ONLY		SCALE 5:1	DESIGN UNITS METRIC	THIRD ANGLE PROJECTION	
		▼=0 ◻=0	mm	INCH	DRAWN BY YR.KIM	DATE 2009/06/22	TITLE 0.45 FPC BACKFLIP CONN. 136P HOUSING ASSY			
			4 PLACES ± --- ± ---	3 PLACES ± --- ± ---	CHECKED BY YS00.KIM	DATE 2009/06/22	MOLEX INCORPORATED			
			2 PLACES ± --- ± ---	1 PLACE ± 0.3 ± ---	APPROVED BY YS00.KIM	DATE 2009/06/22				
		ANGULAR ± 1 °	DRAFT WHERE APPLICABLE MUST REMAIN WITHIN DIMENSIONS		SEE TABLE		MATERIAL NO.	DOCUMENT NO. SD-104058-001	SHEET NO. 2 OF 3	
			SIZE A3	THIS DRAWING CONTAINS INFORMATION THAT IS PROPRIETARY TO MOLEX INCORPORATED AND SHOULD NOT BE USED WITHOUT WRITTEN PERMISSION						



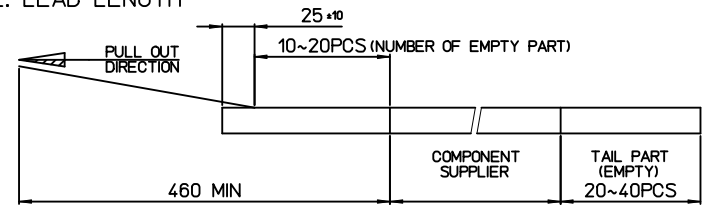
SECTION C-C



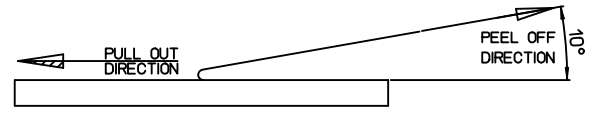
PLASTIC BOBBIN

NOTES

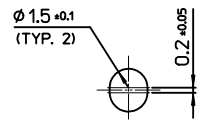
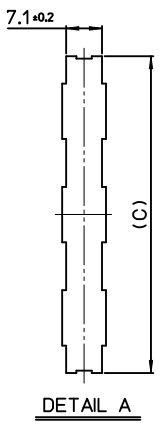
1. QUANTITY OF CONNECTORS : SEE TABLE
2. LEAD LENGTH



3. PEELING OFF FORCE OF COVER TAPE : 0.1N~0.59N(10.2GF~60GF)
(PEELING DIRECTION AS SHOW IN FOLLOW FIG.)
PEELING OFF SPEED : 300mm/Min.(Ref.)



4. FLASH IN ANY PORTION SHOULD BE LESS THAN 0.20mm MAX.



	81.5	900	65.5	66.5	84.4	88.0	136
	COVER TAPE	Q'TY/REEL	D	C	B	A	CKT

CKT	MATERIAL NO.	CONNECTOR	TAPE WIDTH	EMBOSS TAPE
136	1040581367	1040581361	88mm	104058-8836
3	PLASTIC BOBBIN	HI P.S	BLACK	
2	COVER TAPE	P.E.T	SEE TABLE	
1	CARRIER (EMBOSS) TAPE	P.E.T	SEE TABLE	
NO.	DESCRIPTION	MATERIAL	REMARK	

NEW RELEASE
EC NO: KOR2010-0126
DRWN:HJEONG 2010/07/19
CHKD:YSOOKIM 2010/07/19
APPR:YUNSIKKIM 2010/07/20

QUALITY SYMBOLS	DESCRIPTION
▽=0	
∇=0	

GENERAL TOLERANCES (UNLESS SPECIFIED)	
mm	INCH
4 PLACES	± --- ± ---
3 PLACES	± --- ± ---
2 PLACES	± --- ± ---
1 PLACE	± 0.3 ± ---
ANGULAR ± 1°	
DRAFT WHERE APPLICABLE MUST REMAIN WITHIN DIMENSIONS	

DIMENSION STYLE	
MM ONLY	
DRAWN BY	DATE
YR.KIM	2009/06/22
CHECKED BY	DATE
YS00.KIM	2009/06/22
APPROVED BY	DATE
YS00.KIM	2009/06/22
MATERIAL NO.	
SEE TABLE	
SIZE	
A3	

SCALE	DESIGN UNITS	THIRD ANGLE PROJECTION
5:1	METRIC	☉
TITLE		
0.45 FPC BACKFLIP CONN. 136P HOUSING ASSY		
MOLEX INCORPORATED		
MATERIAL NO.	DOCUMENT NO.	SHEET NO.
SEE TABLE	SD-104058-001	3 OF 3
THIS DRAWING CONTAINS INFORMATION THAT IS PROPRIETARY TO MOLEX INCORPORATED AND SHOULD NOT BE USED WITHOUT WRITTEN PERMISSION		