

735212-2 ✓ ACTIVE

FASTIN-FASTON | FASTIN-FASTON 250

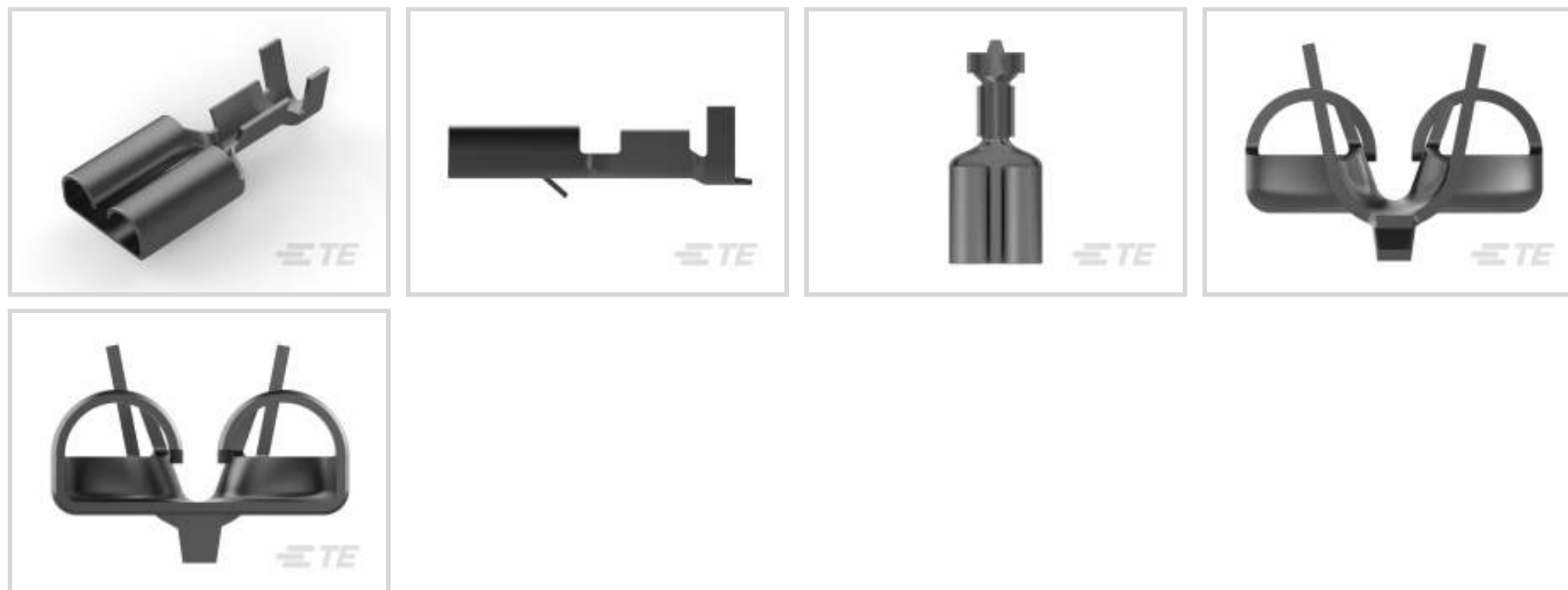
TE Internal #: 735212-2

Quick Disconnects, Receptacle, 22 – 17 AWG Wire Size, .32 – 1.04 mm<sup>2</sup> Wire Size, Mating Tab Width 6.35 mm [.25 in], Straight, Brass, FASTIN-FASTON 250

[View on TE.com >](#)



Terminals & Splices > Quick Disconnects



Quick Disconnect Terminal Type: **Receptacle**

Wire Size: .32 – 1.04 mm<sup>2</sup>

Mating Tab Width: 6.35 mm [.25 in]

Mating Tab Thickness: .81 mm [.032 in]

## Features

### Product Type Features

Insertion Force	Normal
-----------------	--------

### Configuration Features

Connection Capacity	Single
Compatible With Wire & Cable Type	Discrete Wire

### Electrical Characteristics

Voltage Rating	250 V
----------------	-------

### Contact Features

Quick Disconnect Terminal Type	Receptacle
Mating Tab Width	6.35 mm [.25 in]
Mating Tab Thickness	.81 mm [.032 in]
Terminal Orientation	Straight
Contact Base Material	Brass
Terminal Plating Material	Tin
Crimp Type	F-Crimp



Barrel Type	Open
-------------	------

### Termination Features

Product Terminates To	Wire & Cable
-----------------------	--------------

### Mechanical Attachment

Wire Insulation Support	With
-------------------------	------

Mating Retention Type	Locking Lance
-----------------------	---------------

### Dimensions

Terminal Material Thickness	.33 mm[.013 in]
-----------------------------	-----------------

Product Length	17 mm[.669 in]
----------------	----------------

Compatible Insulation Diameter Range	2.31 – 3.3 mm[.091 – .129 in]
--------------------------------------	-------------------------------

Wire Size	.32 – 1.04 mm <sup>2</sup>
-----------	----------------------------

### Usage Conditions

Insulation Option	Uninsulated
-------------------	-------------

Operating Temperature Range	-40 – 110 °C[-40 – 230 °F]
-----------------------------	----------------------------

### Industry Standards

Agency/Standard	CSA, UL
-----------------	---------

### Packaging Features

Packaging Quantity	10000
--------------------	-------

Packaging Method	Strip/Reel
------------------	------------

### Other

Line	Premier
------	---------

### Product Compliance

[For compliance documentation, visit the product page on TE.com>](#)

EU RoHS Directive 2011/65/EU	Compliant
------------------------------	-----------

EU ELV Directive 2000/53/EC	Compliant
-----------------------------	-----------

China RoHS 2 Directive MIIT Order No 32, 2016	No Restricted Materials Above Threshold
---	---

EU REACH Regulation (EC) No. 1907/2006	Current ECHA Candidate List: JUNE 2023 (235) Candidate List Declared Against: JAN 2023 (233) Does not contain REACH SVHC
--	--

Halogen Content	Low Halogen - Br, Cl, F, I < 900 ppm per homogenous material. Also BFR/CFR/PVC
-----------------	--

Free

Solder Process Capability

Not applicable for solder process capability

Product Compliance Disclaimer

This information is provided based on reasonable inquiry of our suppliers and represents our current actual knowledge based on the information they provided. This information is subject to change. The part numbers that TE has identified as EU RoHS compliant have a maximum concentration of 0.1% by weight in homogenous materials for lead, hexavalent chromium, mercury, PBB, PBDE, DBP, BBP, DEHP, DIBP, and 0.01% for cadmium, or qualify for an exemption to these limits as defined in the Annexes of Directive 2011/65/EU (RoHS2). Finished electrical and electronic equipment products will be CE marked as required by Directive 2011/65/EU. Components may not be CE marked. Additionally, the part numbers that TE has identified as EU ELV compliant have a maximum concentration of 0.1% by weight in homogenous materials for lead, hexavalent chromium, and mercury, and 0.01% for cadmium, or qualify for an exemption to these limits as defined in the Annexes of Directive 2000/53/EC (ELV). Regarding the REACH Regulation, the information TE provides on SVHC in articles for this part number is based on the latest European Chemicals Agency (ECHA) 'Guidance on requirements for substances in articles' posted at this URL: <https://echa.europa.eu/guidance-documents/guidance-on-reach>

### Compatible Parts



TE Part # 1989879-1  
.250 SRS FASTIN-ON REC.



TE Part # 2-2150011-1  
OC-PA-E-FM-090F140F-001-0056



TE Part # 2-2150011-2  
OC-PA-E-FA-090F140F-001-0056



TE Part # 2150011-1  
OC-AT-E-FM-090F140F-001-0056

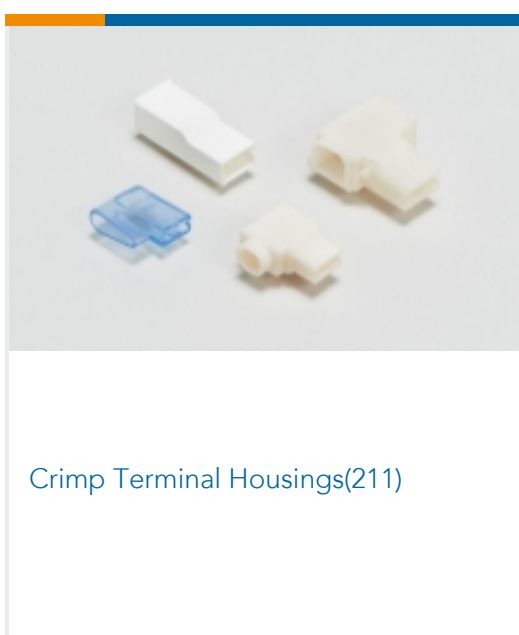


TE Part # 2150011-2  
OC-AT-E-FA-090F140F-001-0056

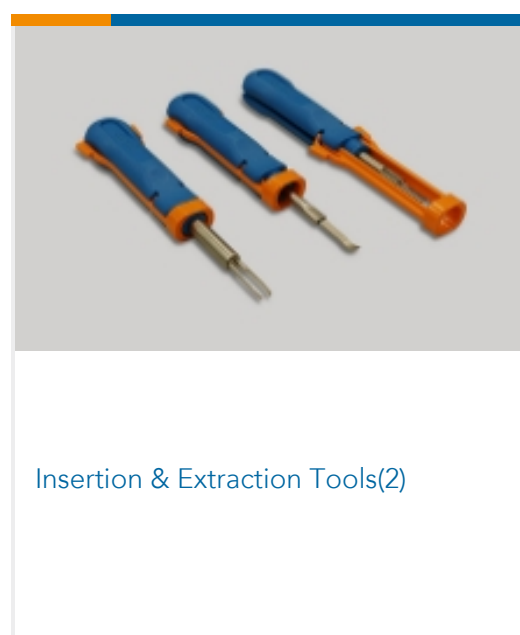


**KIT**  
TE Part # 7-2150011-7  
OC-070F140F-CRIMP TOOLING KIT

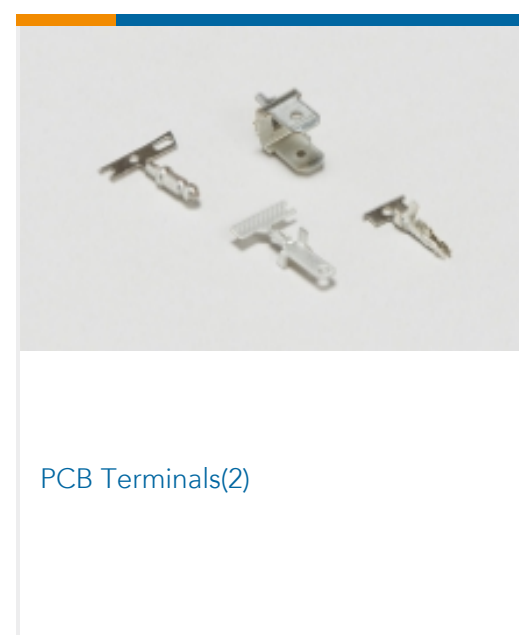
### Also in the Series | FASTIN-FASTON 250



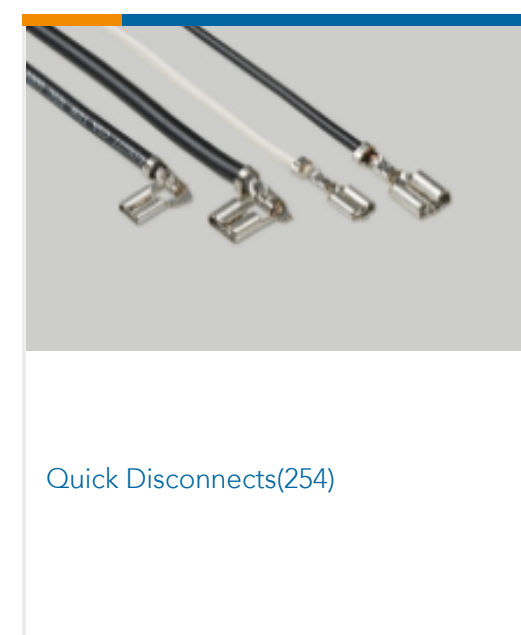
Crimp Terminal Housings(211)



Insertion & Extraction Tools(2)



PCB Terminals(2)

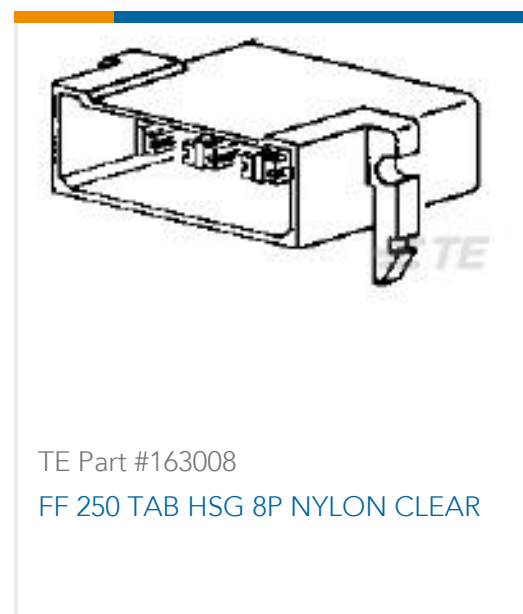


Quick Disconnects(254)

### Customers Also Bought



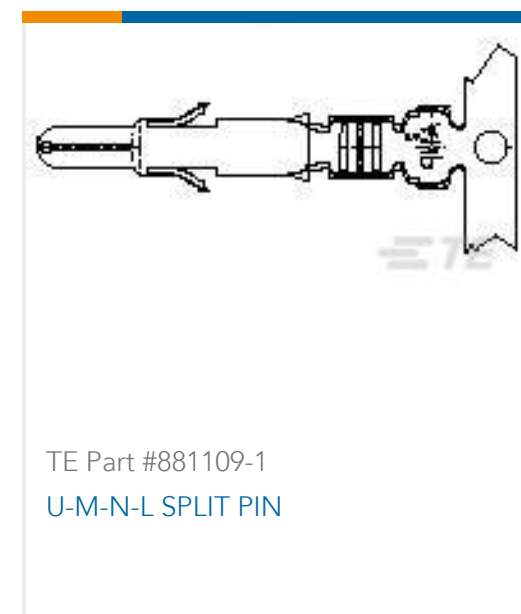
TE Part #3-641435-4  
04P MTA156 CONN ASSY ORNG



TE Part #163008  
FF 250 TAB HSG 8P NYLON CLEAR



TE Part #626437-4  
ELCETRO TAP ASSY



TE Part #881109-1  
U-M-N-L SPLIT PIN



TE Part #880646-5  
PL REC 0.5-1.0 MM2 0.40 X 52.32  
TPBR



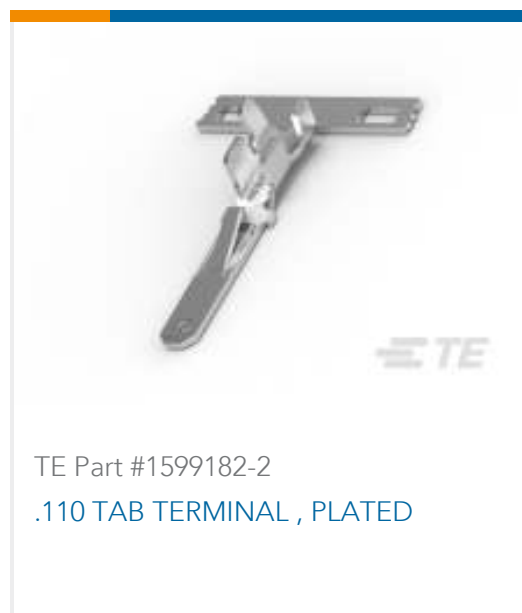
TE Part #626328-2  
FF 250 RECEPTACLE 4.0-6.0 MM2  
TPBR



TE Part #880636-2  
FF 250 TAB 1.0-2.5 MM2 0.39 X 13.2  
TPBR



TE Part #735222-2  
FF 250 REC 1.0-2.5 MM2 0.32X 19.30  
BR



TE Part #1599182-2  
.110 TAB TERMINAL , PLATED

## Documents

### Product Drawings

[FF 250 REC 22-17AWG TPBR](#)

English

### CAD Files

[3D PDF](#)

3D

Customer View Model

[ENG\\_CVM\\_CVM\\_735212-2\\_U\\_c-735212-2-u.2d\\_dxf.zip](#)

English

Customer View Model

[ENG\\_CVM\\_CVM\\_735212-2\\_U\\_c-735212-2-u.3d\\_igs.zip](#)

English

Customer View Model

[ENG\\_CVM\\_CVM\\_735212-2\\_U\\_c-735212-2-u.3d\\_stp.zip](#)

English

By downloading the CAD file I accept and agree to the [Terms and Conditions](#) of use.

### Product Specifications



**FASTIN-FASTON CONN. .110 INCH, .187 INCH, .250 INCH, .375 INCH SRS.**

English

**Product Specification**

English