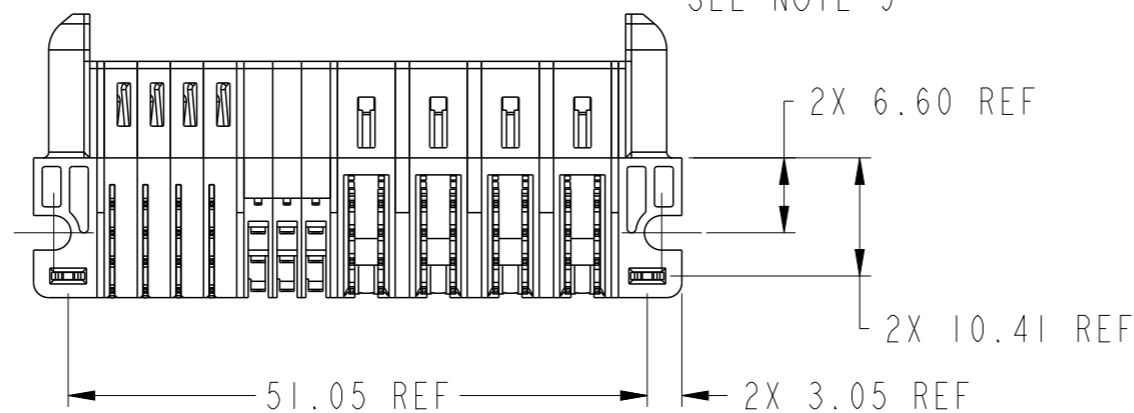
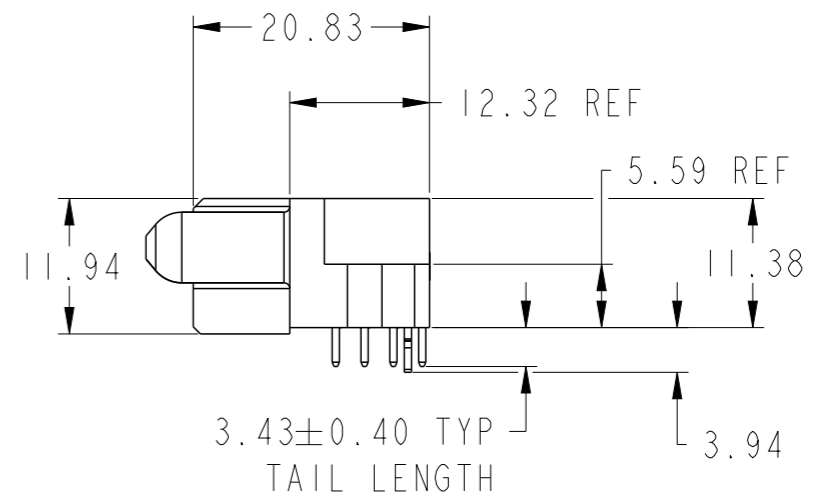
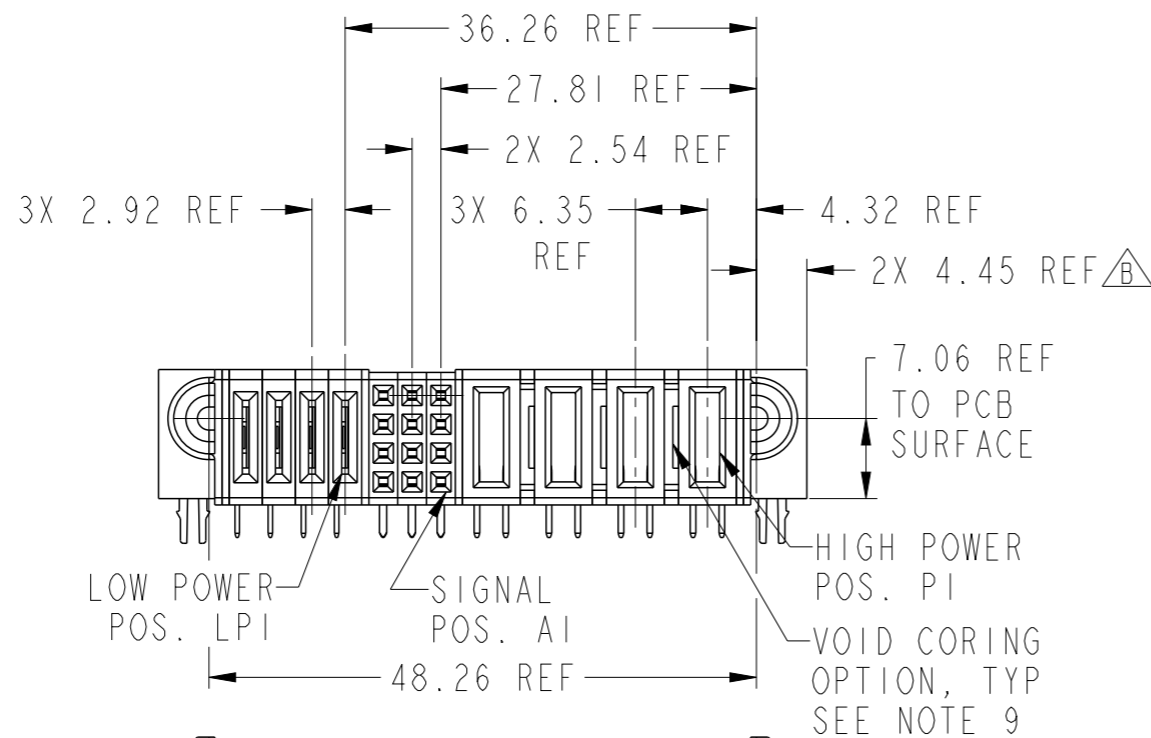
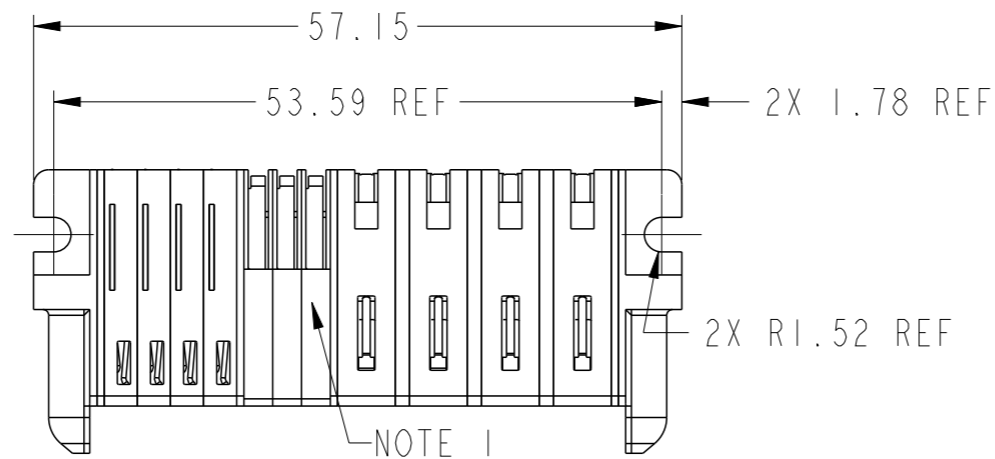


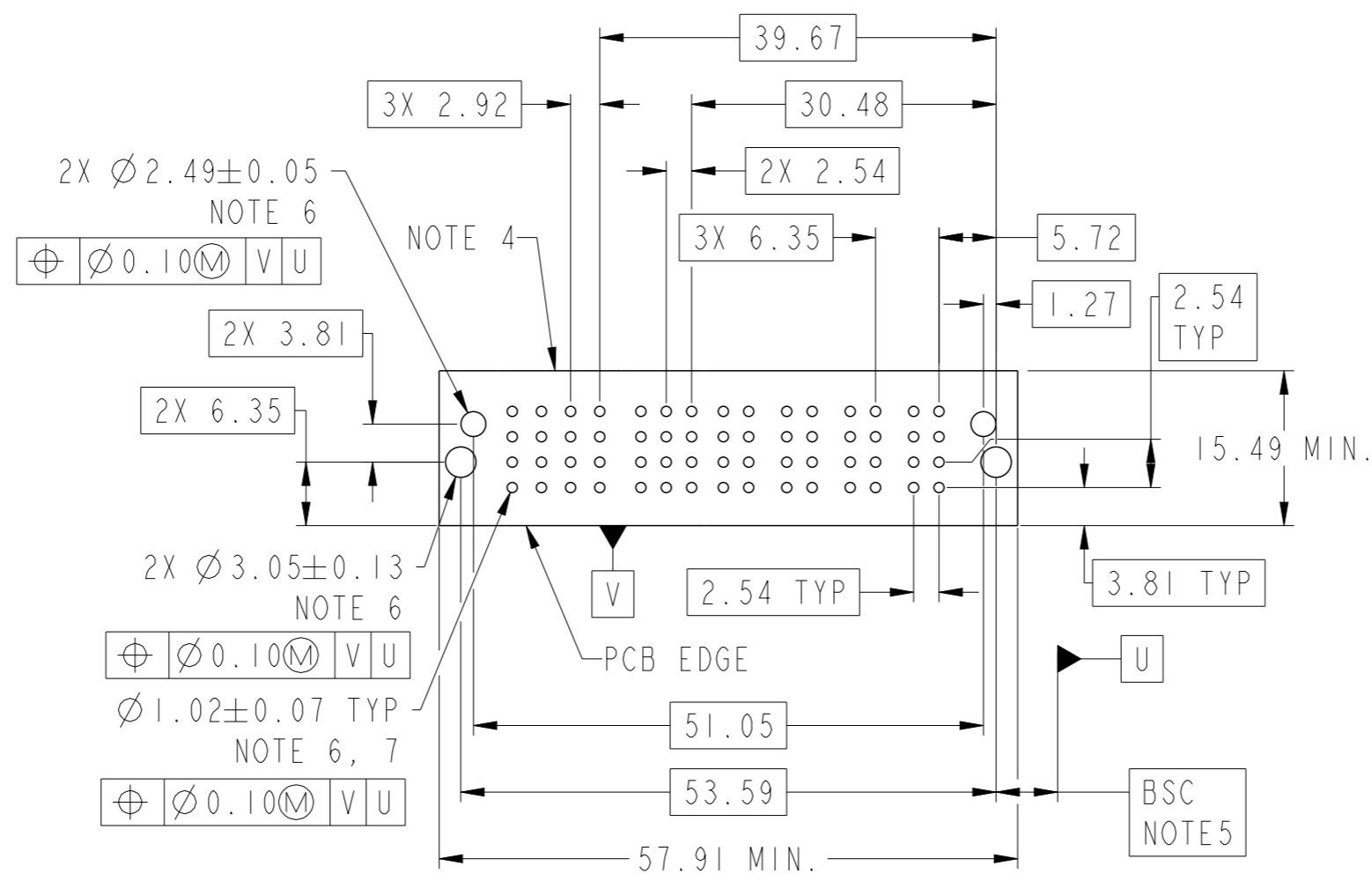
PRODUCT NUMBER SEE SHEET 2



spec ref	*	dr	Peng-Bing Fu	2012/05/16	projection	MM	size	A3	scale	3:2
tolerance std	ASME Y14.5	eng	Peng-Bing Fu	2012/11/14			ecn no	ELX-DG-013144-1	rel level	Released
TOLERANCES UNLESS OTHERWISE SPECIFIED		chr	Tian-Xu Huang	2012/11/15						
surface	<input checked="" type="checkbox"/> linear <input type="checkbox"/> angular	0.X ±0.5 0.XX ±0.25 0.XXX ±0.10	appr	Pei-Ming Zheng	2012/11/15	product family	PwrBlade+	rel level	Released	
ASME Y14.5	angular	0° ±2°			cat. no.	4HP + 12S + 4LP	dwg no	10106126-4403001	rev	B
			www.fci.com		Product - Customer Drw		sheet 1 of 3			

PRODUCT NO.	ROWS	LP				S			HIGH POWER				E2
		E1	L4	L3	L2	L1	3	2	1	P4	P3	P2	
10106126-4403001LF	D C B A	LR LR LR LR LR				H H H			H3	H3	H1	H1	

CODE	DESCRIPTION
E	STD SIGNAL CONTACT, ROW A
F	STD SIGNAL CONTACT, ROW B
G	STD SIGNAL CONTACT, ROW C
H	STD SIGNAL CONTACT, ROW D
H1	MFBL HIGH POWER CONTACT(3.43)
H3	STD HIGH POWER CONTACT(3.43)
HA	METAL HOLD DOWN
LR	STD LOW POWER CONTACT(3.43)



2X Ø 2.49 ± 0.05
NOTE 6
⊕ Ø 0.10 (M) V U

2X Ø 3.05 ± 0.13
NOTE 6
⊕ Ø 0.10 (M) V U

Ø 1.02 ± 0.07 TYP
NOTE 6, 7
⊕ Ø 0.10 (M) V U

⊕ Ø 0.10 (M) V U



Copyright FCI.

dr	Peng-Bing Fu	2012/05/16	projection ⊕	MM	size	A3	scale	3:2	
eng	Peng-Bing Fu	2012/11/14			ecn no	ELX-DG-013144-1			
chr	Tian-Xu Huang	2012/11/15			product family	PwrBlade+	rel level	Released	
appr	Pei-Ming Zheng	2012/11/15			title	4HP + 12S + 4LP		rev	B
www.fci.com		cat. no.	Product - Customer Drw		dwg no	10106126-4403001		sheet 2 of 3	

NOTES:

- 1) "FCI", PART NUMBER AND DATE CODE TO BE MARKED ON THIS SURFACE.
THE P/N CAN BE OMITTED IF THERE IS NOT ENOUGH SPACE ON THIS SURFACE.
- 2) MATERIALS:
-HOUSING - GLASS FILLED WITH HIGH TEMP THERMOPLASTIC, UL94V-0.
-SIGNAL CONTACT - COPPER ALLOY.
-POWER CONTACT - HIGH CONDUCTIVITY COPPER ALLOY.
- 3) PLATING SPECIFICATION REFER TO FCI 10116351
- 4) DENOTES CONNECTOR KEEP OUT ZONE.
- 5) DATUM AND BASIC DIMENSIONS WERE ESTABLISHED BY CUSTOMER.
- 6) ALL HOLE DIAMETERS ARE FINISHED HOLE SIZES.
- 7) 1.15 ± 0.025 MM DRILLED HOLE PLATED WITH 0.00762MM MIN Sn
OVER 0.0254-0.0762MM Cu PLATING TO ACHIEVE A 1.02 ± 0.07 MM HOLE.
- 8) PRODUCT SPECIFICATION REFER TO FCI GS-12-658.
APPLICATION SPECIFICATION REFER TO FCI GS-20-141.
PRODUCT PACKAGED IN TRAYS, REFER TO FCI GS-14-1502.
- 9) THE VOID CORING IN BETWEEN POWER MODULES, SIGNAL
MODULES AND END MODULES ARE OPTIONAL AND THE SHAPE
MAY BE DIFFERENT FOR OPTIMIZE THE MOLDING PROCESS. THE
VOID CORING WILL NOT EFFECT TO PRODUCT FUNCTION.
- 10) A \triangle SYMBOL WILL BE NEXT TO ANY DIMENSION, VIEW, OR NOTE WHICH
HAS BEEN MODIFIED WITH THE CURRENT DRAWING REVISION.



Copyright FCI.

dr	Peng-Bing Fu	2012/05/16			size	A3	scale	3:2
eng	Peng-Bing Fu	2012/11/14			ecn no	ELX-DG-013144-1		
chr	Tian-Xu Huang	2012/11/15			product family	PwrBlade+	rel level	Released
appr	Pei-Ming Zheng	2012/11/15					title 4HP + 12S + 4LP RA STB RECEPTACLE	dwg no 10106126-4403001
www.fci.com		cat. no.	Product - Customer Drw		sheet 3 of 3			