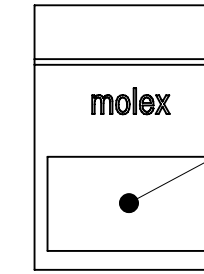
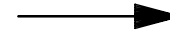


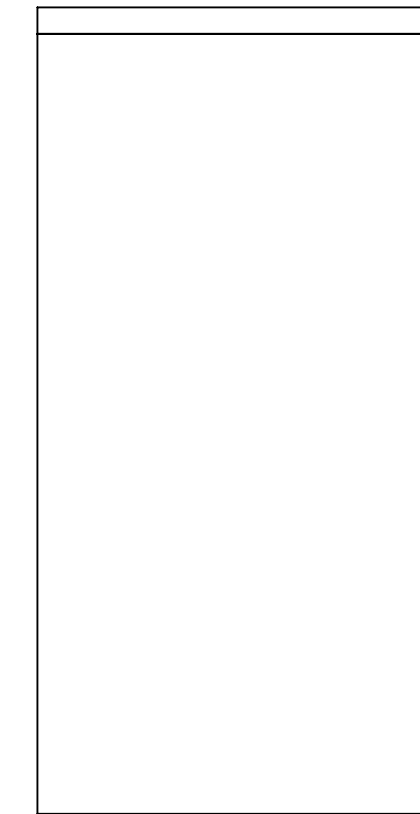
PRODUCT  
P/N: XXXXX-XXXX



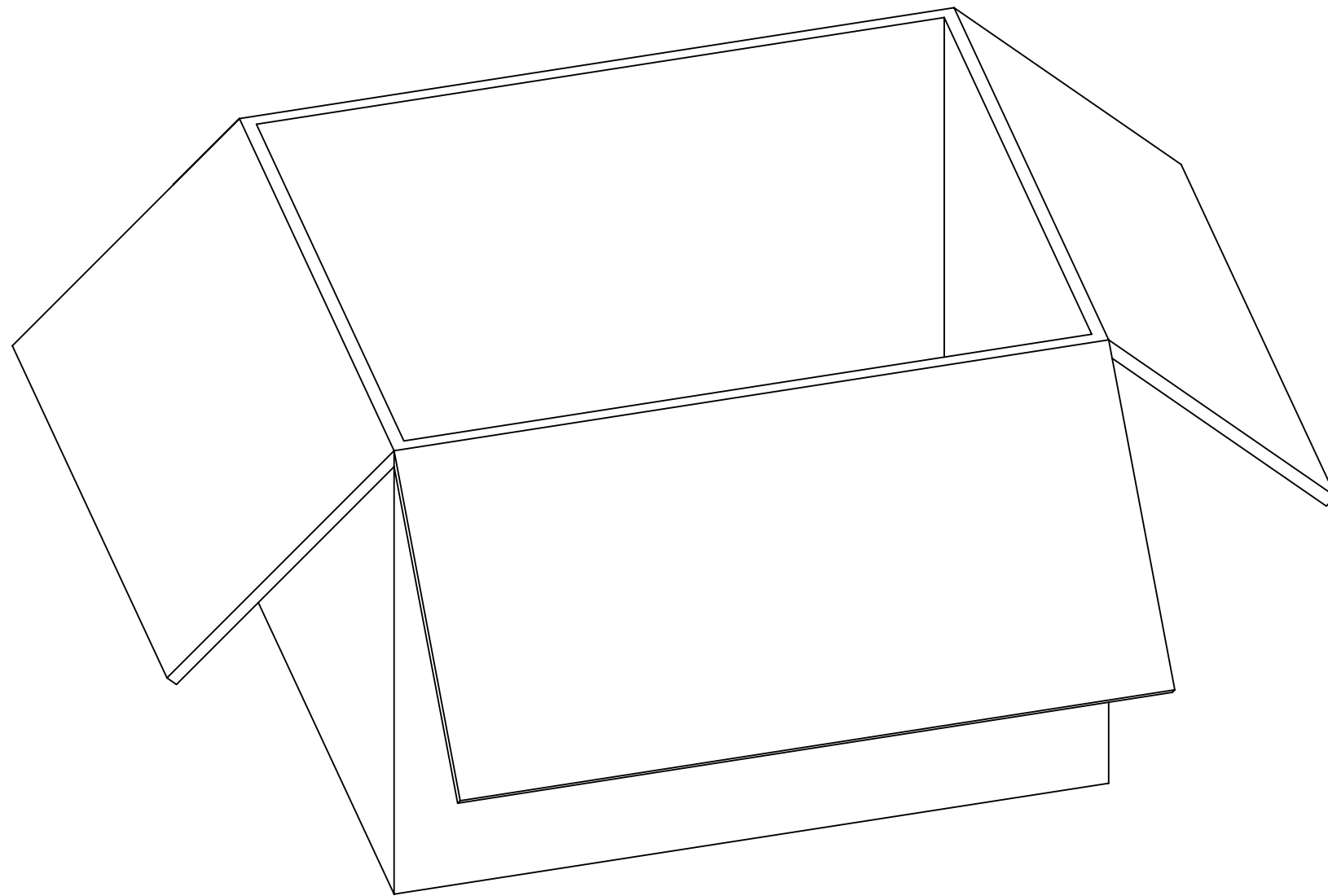
LABEL WITH EACH BAG:

PART NUMBER  
ORDER NUMBER  
MOLEX  
DATE: YYWW

ONE SET PER BAG



50 SETS PER BAG



500 SETS PER CARTON BOX

THIS DRAWING CONTAINS INFORMATION THAT IS PROPRIETARY TO MOLEX ELECTRONIC TECHNOLOGIES, LLC AND SHOULD NOT BE USED WITHOUT WRITTEN PERMISSION

DIMENSION UNITS		SCALE		CURRENT REV DESC: NEW RELEASE PER EWR #15848-B				<b>molex</b>			
mm		NTS									
GENERAL TOLERANCES (UNLESS SPECIFIED)								PACKAGING SPEC 89707-0317 (DU 500) EWR-15848			
ANGULAR TOL ± °				EC NO: 750290				PRODUCT CUSTOMER DRAWING			
4 PLACES ±				DRWN: RYEH 2023/05/18				DOCUMENT NUMBER			
3 PLACES ±				CHK'D: YCHENG 2023/05/24				895420089			
2 PLACES ±				APPR: YCHENG 2023/05/24				PSD 000 A			
1 PLACE ±				INITIAL REVISION:				DOC TYPE   DOC PART   REVISION			
0 PLACES ±				DRWN: RYEH 2023/05/18				1			
APPR: YCHENG 2023/05/24				MATERIAL NUMBER				SHEET NUMBER			
DRAFT WHERE APPLICABLE MUST REMAIN WITHIN DIMENSIONS				THIRD ANGLE PROJECTION		DRAWING		SERIES		CUSTOMER	
						C-SIZE		89542		895420089	
1 OF 1											

DOCUMENT STATUS	P1	RELEASE DATE	2023/05/24	11:34:23
-----------------	----	--------------	------------	----------

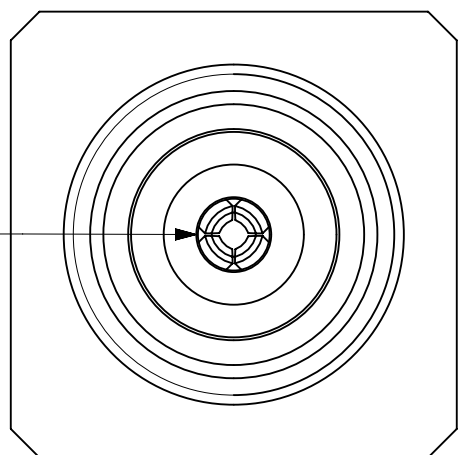
MATERIALS & FINISHES:

BODY: BRASS  
PLATING SEE TABLE

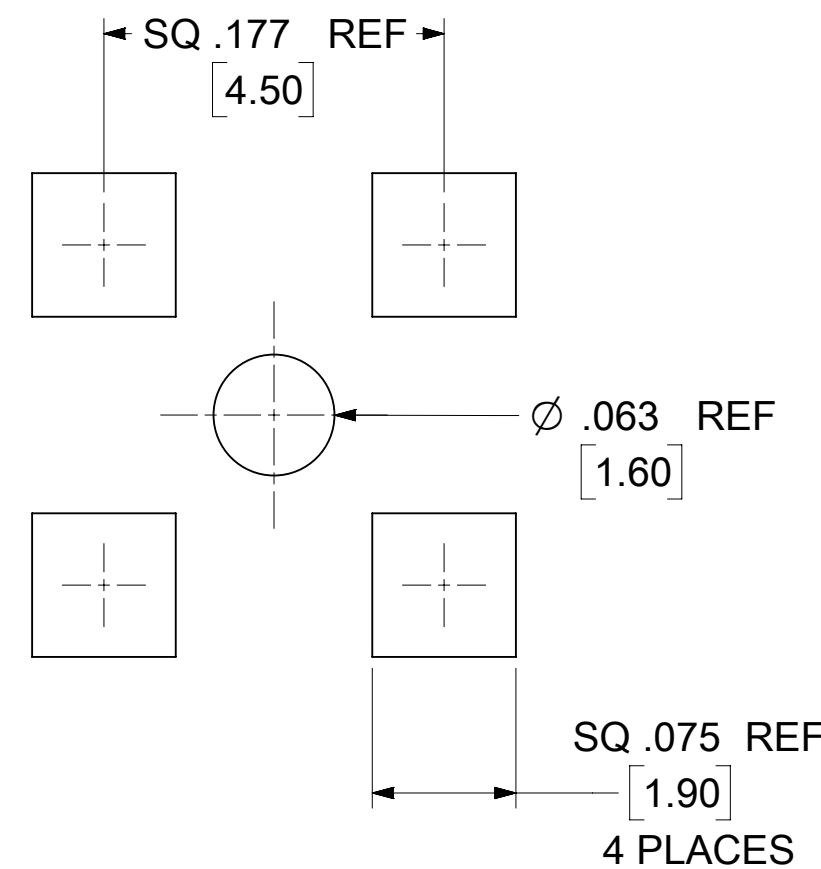
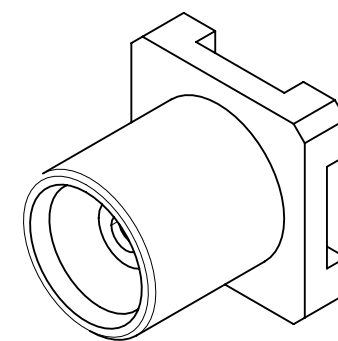
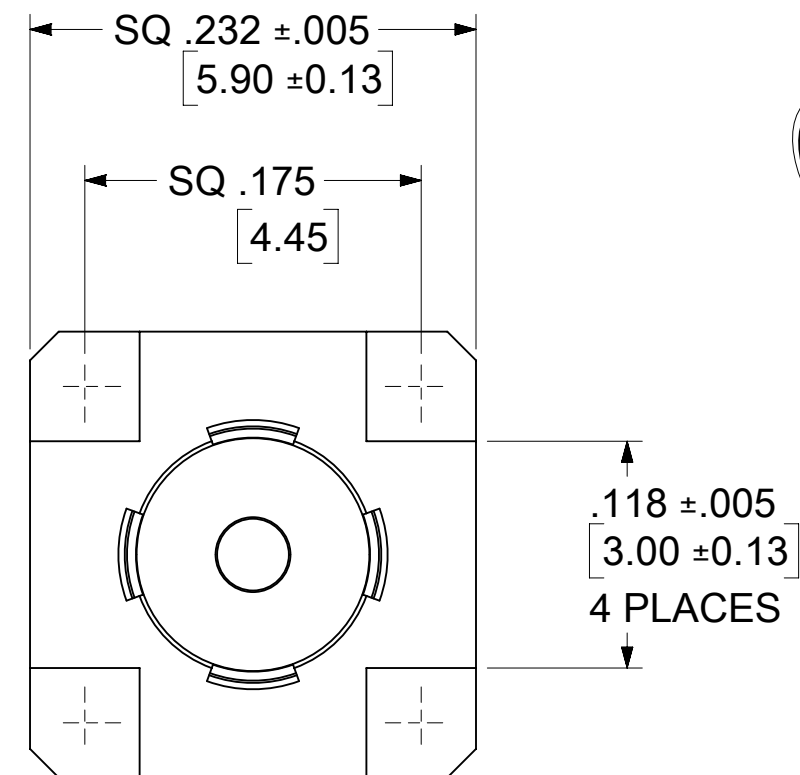
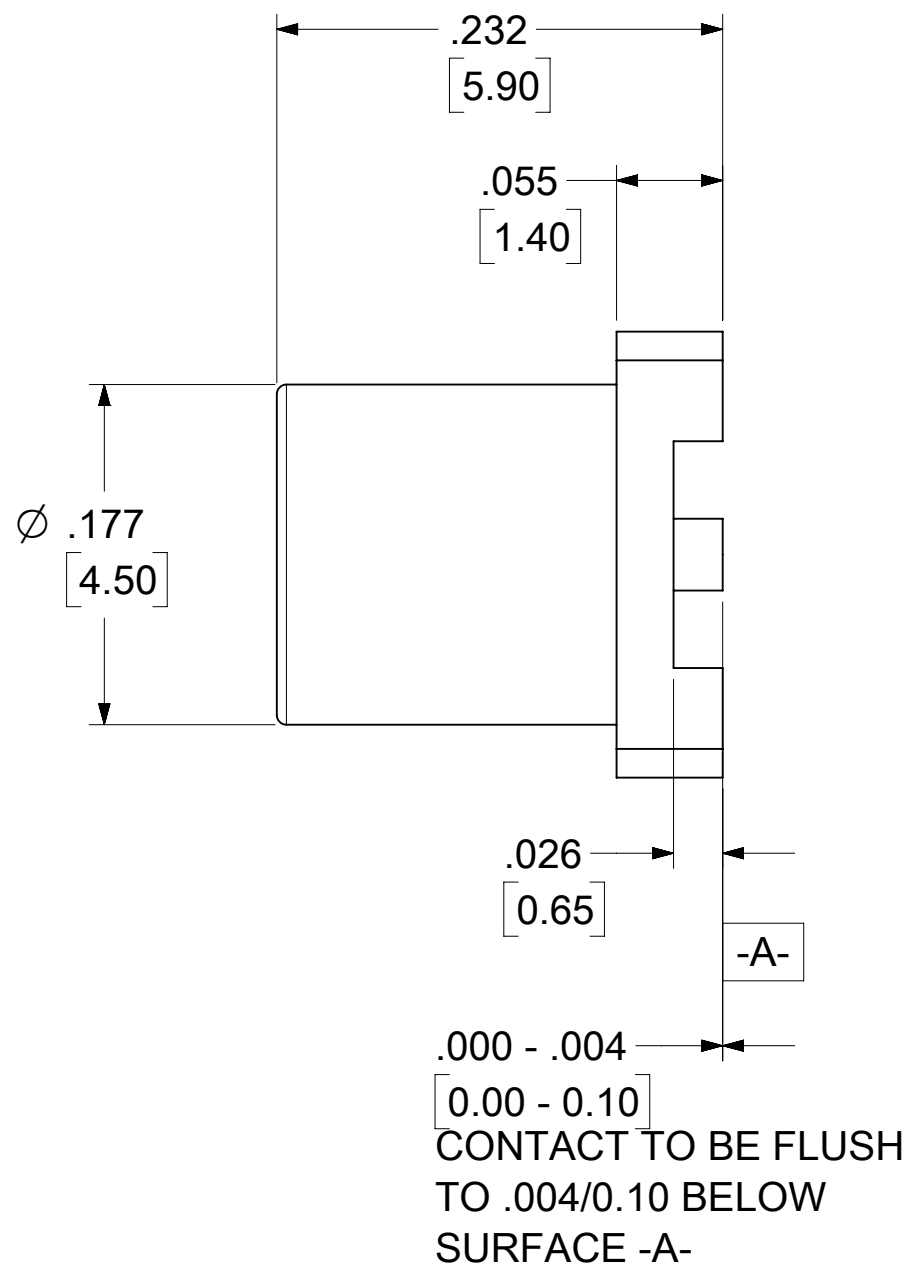
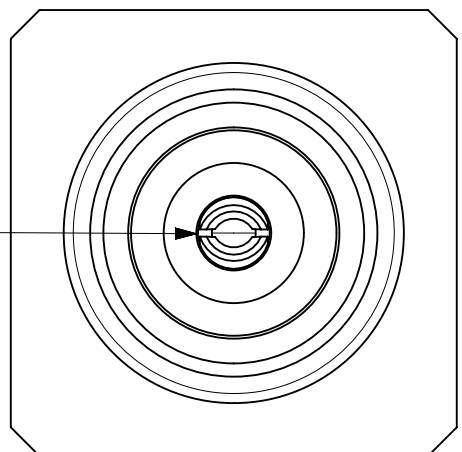
CONTACT: BERYLLIUM COPPER  
GOLD (30µ-in MIN)

INSULATOR: TEFLON

NOTE:  
73415-1696 & 73415-1697  
WITH 4 SLOTS CONTACT



NOTE:  
73415-1690 & 73415-1691 &  
73415-1692 & 73415-1693 &  
73415-1694 & 73415-1695 &  
73415-1698 & 73415-1699 &  
73366-6510  
WITH 2 SLOTS CONTACT



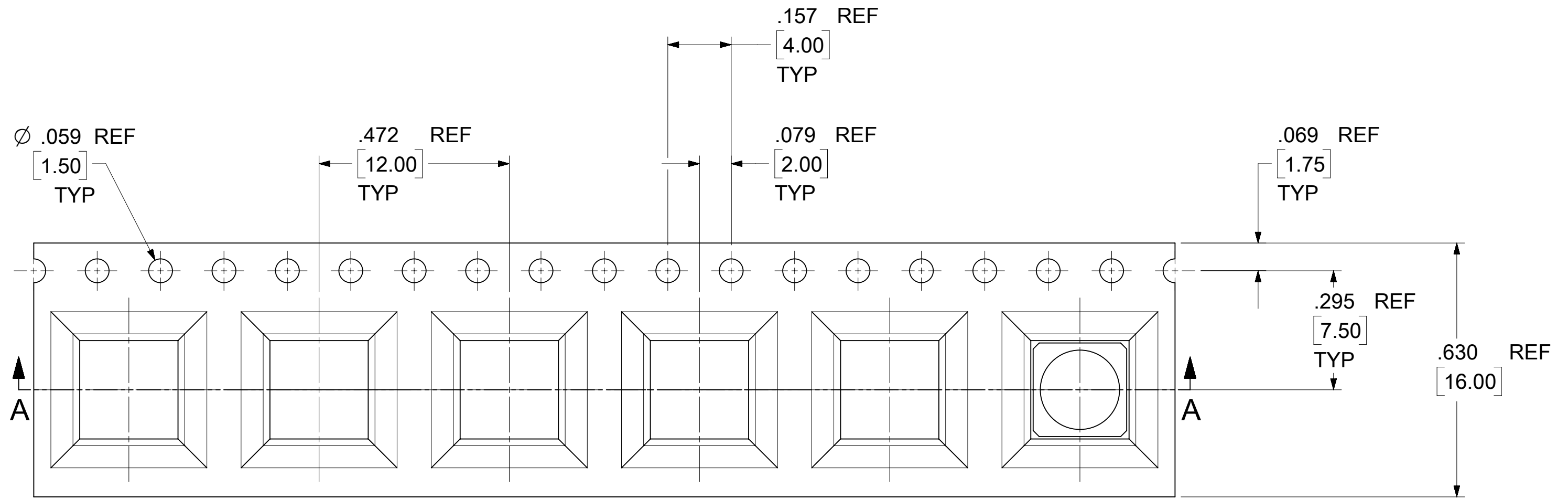
RECOMMENDED MOUNTING PATTERN

73366-6510	GOLD (1µ-in MIN)	2 SLOTS	73415-1691 TAPE & REEL WITH KAPTON	750 PCS PER REEL	SHEET 2, 3 & 4
73415-1699	GOLD (1µ-in MIN)	2 SLOTS	73416-1691 ONE PER BAG	1 PCS PER BAG	895420089
73415-1698	GOLD (30µ-in MIN)	2 SLOTS	73415-1698 TAPE & REEL WITH KAPTON	750 PCS PER REEL	SHEET 2, 3 & 4
73415-1697	GOLD (1µ-in MIN)	4 SLOTS	73415-1696 TAPE & REEL WITH KAPTON	750 PCS PER REEL	SHEET 2, 3 & 4
73415-1696	GOLD (1µ-in MIN)	4 SLOTS	73415-1696 BAG	500 PCS PER BAG	895420601
73415-1695	NICKEL	2 SLOTS	73415-1690 TAPE & REEL WITH KAPTON	750 PCS PER REEL	SHEET 2, 3 & 4
73415-1694	GOLD (1µ-in MIN)	2 SLOTS	73416-1691 SMALL TRAY	20 PCS PER TRAY	895420200
73415-1693	NICKEL	2 SLOTS	73415-1690 SMALL TRAY	20 PCS PER TRAY	895420200
73415-1692	GOLD (1µ-in MIN)	2 SLOTS	73415-1691 TAPE & REEL WITH KAPTON	750 PCS PER REEL	SHEET 2, 3 & 4
73415-1691	GOLD (1µ-in MIN)	2 SLOTS	73415-1691 BAG	500 PCS PER BAG	895420161
73415-1690	NICKEL	2 SLOTS	73415-1690 BAG	500 PCS PER BAG	895420161
PART NO.	BODY PLATING	CONTACT	DESCRIPTION	QUANTITY	PACKING SPEC

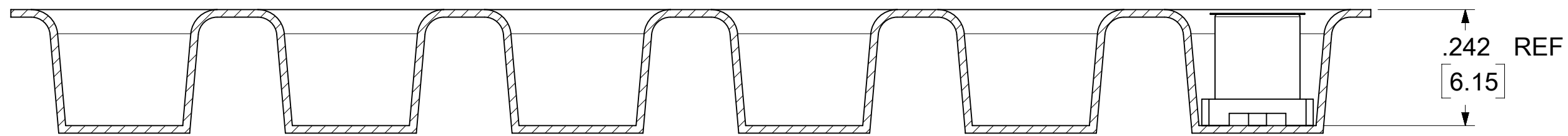
PS-89675-183	ELEC/MECH PERFORMANCE
SPECIFICATION	DESCRIPTION

THIS DRAWING CONTAINS INFORMATION THAT IS PROPRIETARY TO MOLEX ELECTRONIC TECHNOLOGIES, LLC AND SHOULD NOT BE USED WITHOUT WRITTEN PERMISSION

DIMENSION UNITS	SCALE	CURRENT REV DESC: ADD PACKING SPEC PER EWR #15848-A			
INCH/MM	NTS				
GENERAL TOLERANCES (UNLESS SPECIFIED)			MCX PCB/SMT JACK 50 OHM MCX-J/PCB/SMT EWR-1148		
4 PLACES	±	±			
3 PLACES	±	± 0.01	PRODUCT CUSTOMER DRAWING		
2 PLACES	±	± 0.25			
1 PLACE	±	±	DOCUMENT NUMBER: SD-73415-169 DOC TYPE: PSD DOC PART: 001 REVISION: B7		
0 PLACES	±	±			
ANGULAR TOL	±	± 2.0 °	MATERIAL NUMBER: SEE TABLE CUSTOMER: GENERAL MARKET SHEET NUMBER: 1 OF 4		
DRAFT WHERE APPLICABLE MUST REMAIN WITHIN DIMENSIONS					
THIRD ANGLE PROJECTION		DRAWING	SERIES	MATERIAL NUMBER	
		C-SIZE	73415	SEE TABLE	



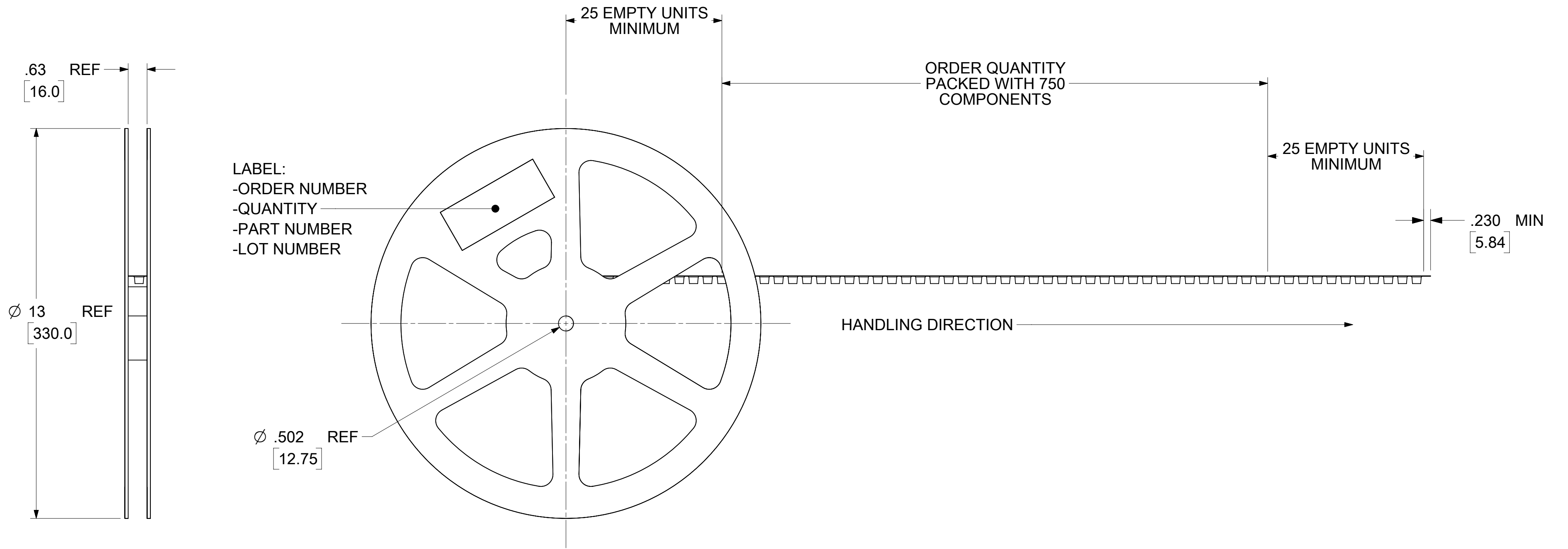
VIEWS FOR 73415-1692 & 73415-1695 & 73415-1697 & 73415-1698 & 73366-6510



SECTION A-A

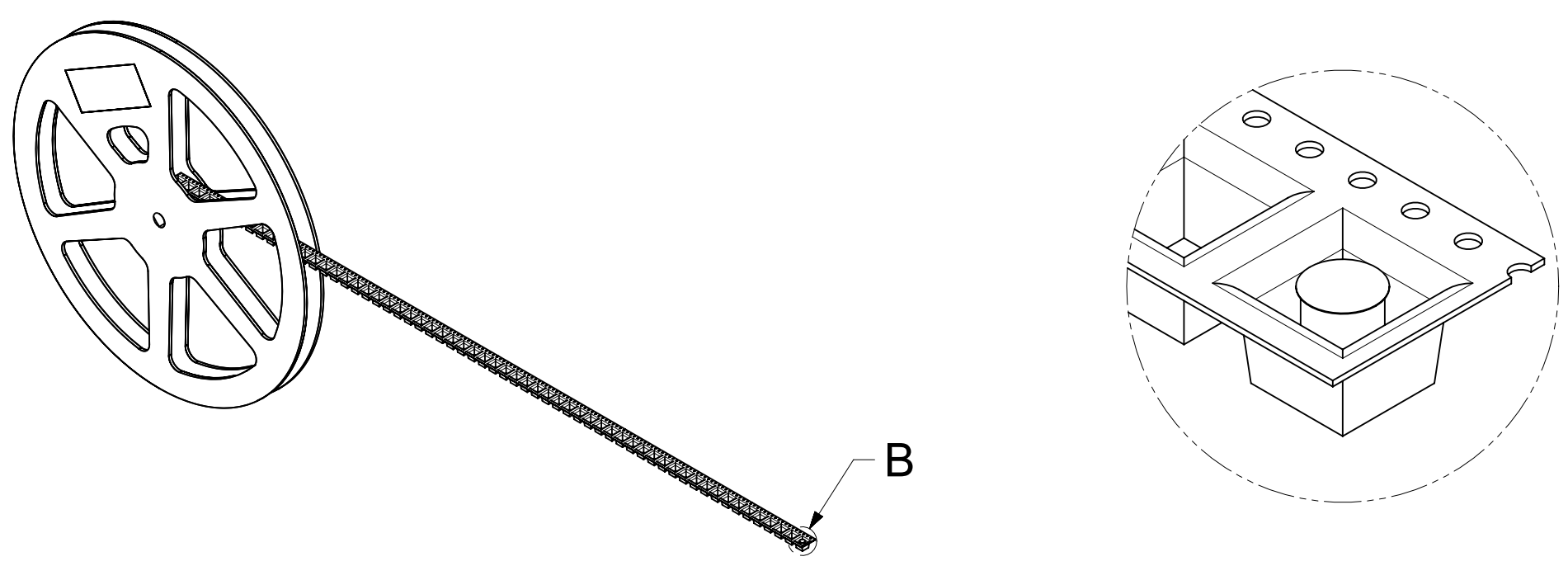
THIS DRAWING CONTAINS INFORMATION THAT IS PROPRIETARY TO MOLEX ELECTRONIC TECHNOLOGIES, LLC AND SHOULD NOT BE USED WITHOUT WRITTEN PERMISSION															
DIMENSION UNITS <b>INCH/MM</b>		SCALE <b>NTS</b>		CURRENT REV DESC: ADD PACKING SPEC PER EWR #15848-A			<b>molex</b>								
GENERAL TOLERANCES (UNLESS SPECIFIED)				EC NO: 750290						MCX PCB/SMT JACK 50 OHM MCX-J/PCB/SMT EWR-1148					
4 PLACES		±		DRWN: RYEH			2023/05/10								
3 PLACES		±		CHK'D: YCHENG			2023/05/24								
2 PLACES		± 0.25		APPR: YCHENG			2023/05/24								
1 PLACE		±		INITIAL REVISION:			DOCUMENT NUMBER								
0 PLACES		±		DRWN: YCHENG			SD-73415-169								
ANGULAR TOL		± 2.0 °		APPR: MHUANG			PSD 001 B7								
DRAFT WHERE APPLICABLE MUST REMAIN WITHIN DIMENSIONS				THIRD ANGLE PROJECTION		DRAWING		SERIES		MATERIAL NUMBER		CUSTOMER		SHEET NUMBER	
						C-SIZE		73415		SEE TABLE		GENERAL MARKET		2 OF 4	

DOCUMENT STATUS	P1	RELEASE DATE	2023/05/24	11:34:23
-----------------	----	--------------	------------	----------



LABEL:  
 -ORDER NUMBER  
 -QUANTITY  
 -PART NUMBER  
 -LOT NUMBER

VIEWS FOR 73415-1692 & 73415-1695 & 73415-1697 & 73415-1698 & 73366-6510



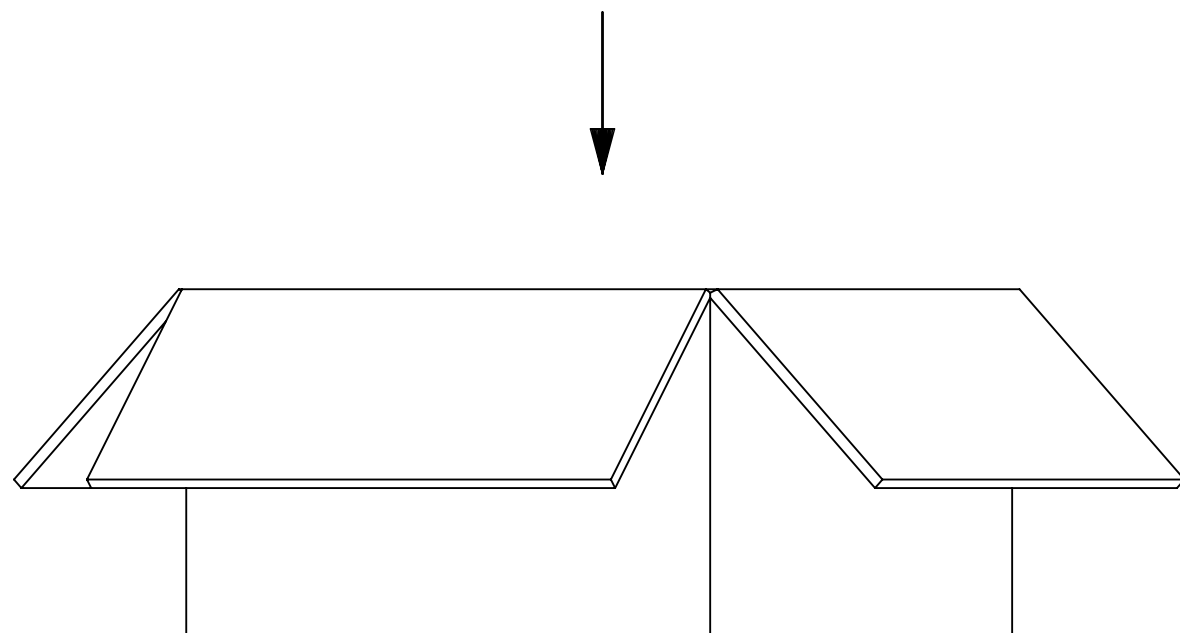
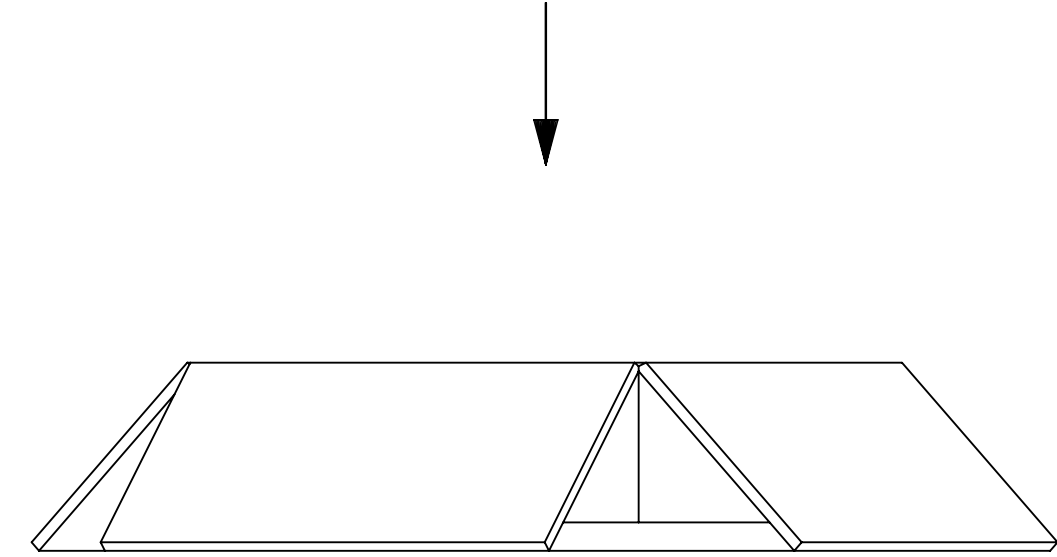
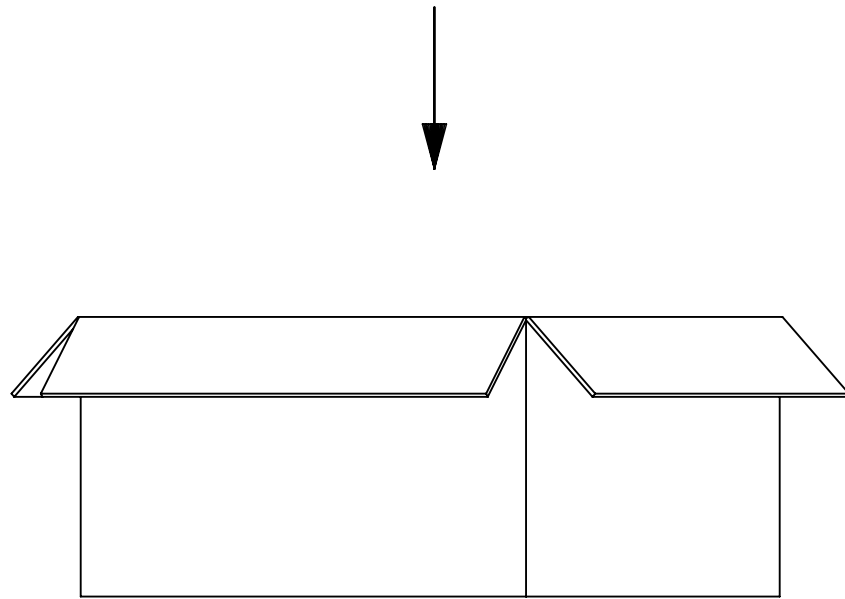
DETAIL B

THIS DRAWING CONTAINS INFORMATION THAT IS PROPRIETARY TO MOLEX ELECTRONIC TECHNOLOGIES, LLC AND SHOULD NOT BE USED WITHOUT WRITTEN PERMISSION											
DIMENSION UNITS <b>INCH/MM</b>		SCALE <b>NTS</b>		CURRENT REV DESC: ADD PACKING SPEC PER EWR #15848-A			<b>molex</b>				
GENERAL TOLERANCES (UNLESS SPECIFIED)				EC NO: 750290							
		MM	INCH	DRWN: RYEH 2023/05/10			MCX PCB/SMT JACK 50 OHM MCX-J/PCB/SMT EWR-1148				
4 PLACES ±			± 0.01	CHK'D: YCHENG 2023/05/24							
3 PLACES ±		0.25	±	APPR: YCHENG 2023/05/24			PRODUCT CUSTOMER DRAWING				
2 PLACES ±			±	INITIAL REVISION:			DOCUMENT NUMBER		DOC TYPE	DOC PART	REVISION
1 PLACE ±			±	DRWN: YCHENG 2007/02/08			SD-73415-169		PSD	001	B7
0 PLACES ±			±	APPR: MHUANG 2007/02/09			MATERIAL NUMBER		CUSTOMER		SHEET NUMBER
ANGULAR TOL ± 2.0 °				THIRD ANGLE PROJECTION		DRAWING	SERIES	SEE TABLE	GENERAL MARKET		3 OF 4
DRAFT WHERE APPLICABLE MUST REMAIN WITHIN DIMENSIONS				C-SIZE		73415					

DOCUMENT STATUS	P1	RELEASE DATE	2023/05/24	11:34:23
-----------------	----	--------------	------------	----------

73415-1698	73415-1698 TAPE & REEL WITH KAPTON	750 PCS	6000 PCS
73415-1697	73415-1696 TAPE & REEL WITH KAPTON	750 PCS	6000 PCS
73415-1695	73415-1690 TAPE & REEL WITH KAPTON	750 PCS	6000 PCS
73415-1692	73415-1691 TAPE & REEL WITH KAPTON	750 PCS	6000 PCS
PART NO.	DESCRIPTION	QTY/REEL	QTY/CARTON

73366-6510	73415-1691 TAPE & REEL WITH KAPTON	750 PCS	750 PCS
PART NO.	DESCRIPTION	QTY/REEL	QTY/CARTON



THIS DRAWING CONTAINS INFORMATION THAT IS PROPRIETARY TO MOLEX ELECTRONIC TECHNOLOGIES, LLC AND SHOULD NOT BE USED WITHOUT WRITTEN PERMISSION															
DIMENSION UNITS		SCALE		CURRENT REV DESC: ADD PACKING SPEC PER EWR #15848-A			<b>molex</b>								
INCH/MM		NTS													
GENERAL TOLERANCES (UNLESS SPECIFIED)				EC NO: 750290 DRWN: RYEH 2023/05/10 CHK'D: YCHENG 2023/05/24 APPR: YCHENG 2023/05/24 INITIAL REVISION: DRWN: YCHENG 2023/02/08 APPR: MHUANG 2023/02/09			MCX PCB/SMT JACK 50 OHM MCX-J/PCB/SMT EWR-1148								
4 PLACES		±	±				PRODUCT CUSTOMER DRAWING								
3 PLACES		±	± 0.01				DOCUMENT NUMBER								
2 PLACES		± 0.25	±				SD-73415-169								
1 PLACE		±	±				DOC TYPE								
0 PLACES		±	±	DOC PART											
ANGULAR TOL		± 2.0 °		REVISION			B7								
DRAFT WHERE APPLICABLE MUST REMAIN WITHIN DIMENSIONS				THIRD ANGLE PROJECTION		DRAWING		SERIES		MATERIAL NUMBER		CUSTOMER		SHEET NUMBER	
						C-SIZE		73415		SEE TABLE		GENERAL MARKET		4 OF 4	

DOCUMENT STATUS	P1	RELEASE DATE	2023/05/24	11:34:23
-----------------	----	--------------	------------	----------