


PROPRIETARY INFORMATION: PROPRIETARY OF GLOBTEK, INC. ANY REPRODUCTION, DISCLOSURE OR USE OF THIS DRAWING, IN WHOLE OR IN PART, IS HEREBY PROHIBITED EXCEPT AS SPECIFIED IN WRITING BY GLOBTEK, INC.				REVISION			
REV		DESCRIPTION		DATE	APPROVED		
A		INITIAL RELEASE		05/21/01	PS		
B		INITIAL RELEASE, RFS.2074, DMR		0814/03	DMR		
F	UPDATE I/P CURRENT ON LABEL, RFS.8411, HM	04/28/06	HM	C	UPDATE O/P CONNECTOR: 1CONDUCTOR+ SHIELD, UL 1185, FROM 75 TO 40 mm, FROM 25 TO 30 mm, FROM 6 TO 8-10 mm, PACKING, RFS.2541, DMR		
				D	CHANGE CABLE TO ROUND, RFS.3384, EM		
				E	UPDATE GIFT BOX DIMEN., RFS.6562, EM		

1. NOTES:

DIMENSIONS ARE IN MM UNLESS SPECIFIED OTHERWISE.

2. ELECTRICAL SPECIFICATIONS:

INPUT VOLTAGE:	90 VAC TO 264 VAC
INPUT CURRENT:	< 1.6 A RMS AT 90 VAC INPUT
INPUT FREQUENCY:	47 HZ - 63 HZ
OUTPUT VOLTAGE/CURRENT:	15 VDC@ 3.1A
OUTPUT CURRENT :	NO LOAD TO FULL LOAD, NO MINIMUM LOAD REQUIRED
OUTPUT POWER (RATED):	48 WATTS MAX
OUTPUT RIPPLE (PEAK TO PEAK):	1% TYPICAL
OUTPUT REGULATION (LINE/LOAD):	+ 10 /-0 % FOR MAIN OUTPUT, MEASURED AT O/P CONNECTOR
LINE REGULATION:	+ 1 /-0 % MAX AT FULL LOAD
TURN ON/ TURN OFF OVERSHOOT:	4% MAX 500uS MAX RECOVERY TIME FOR 25% STEP LOAD
TURN-ON DELAY:	1 SEC MAX
HOLD-UP TIME:	16 mSEC MIN AT NOMINAL INPUT AND FULL LOAD
INRUSH CURRENT:	20 A MAX AT COLD START FOR N.A. (40A FOR EURO)
EFFICIENCY:	75 % TYPICAL
SWITCHING FREQUENCY:	100 KHZ TYPICAL
OVER-VOLTAGE PROTECTION:	VOLTAGE LIMITED LESS 130% OF NOMINAL VOLTAGE
OVER-CURRENT / SHORT CIRCUIT:	HICCUP WITH AUTO RECOVERY TO 1.1 - 1.3 I _o
OTHER PROTECTION:	INPUT FUSING
SAFETY APPROVALS :	VDE TO EN 60950, UL/C - UL (PENDING) UL 2601, CUL TO 22.2 # 601, VDE TO EN60601-1, NEMKO (PATIENT TYPE B) TO EN60601-1 CE, CLASS I
DIELECTRIC WITHSTAND VOLTAGE:	4000VAC PRIMARY-SECONDARY;1500 VAC PRIMARY- GROUND
LEAKAGE CURRENT:	< 0.1 mA
LINE SURGE:	EN 61000-4-5 LEVEL 4
EMI:	COMPLIES WITH EN55022, EN55011 CLASS B AND FCC PART 15 CLASS B WHEN TESTED WITH A RESISTIVE LOAD, BOTH CONDUCTED AND RADIATED
CE MARK :	TESTED TO COMPLY WITH EN61000-3-2, EN61000-3-3 AND EN50082-1 INCLUDING EN61000-4-2, EN61000-4-3, EN61000-4-4, EN61000-4-5, EN61000-4-6, EN61000-4-11 LEVEL 4, UNIT IS ELIGIBLE FOR CE MARK.
MTBF:	GREATER THAN 50,000 HOURS AT 25°C AMBIENT TEMPERATURE
OPERATING TEMPERATURE:	0°C TO 70 C DERATE LINEARLY FROM 100% AT 40°C TO 50% AT 70°C
STORAGE TEMPERATURE:	-40°C TO 80° C
HUMIDITY:	0% TO 90% RELATIVE HUMIDITY

Foot Note: Globtek Inc. will not be liable for the safety and performance of these power supplies if unauthorized access and repair occurs. End user should consult applicable UL, CSA or EN standards for proper installation instructions	DASH NO.	PART NO	REV.	DESCRIPTION	NOTES
	TABULATION BLOCK				
Limitation of Use: Globtek product are not authorized for use as mission critical components in life support, hazardous environment, nuclear or aircraft applications without prior written approval from the CEO of Globtek Inc.	TOLERANCES: DECIMALS ANGULAR .xx +/- 0.1 +/- 1' .xxx +/- .005		 186 Veterans Dr. Northvale, NJ 07647 Tel. 201-784-1000 Fax 201.784.0111 www.globtek.com		
	INIT.BY: DMR	DATE: 08/14/03	MILLIMETERS ANGULAR .xx +/- 0.3 +/- 1' .xxx +/- .013		DWG TITLE: SWITCHING POWER SUPPLY, 48WATT, 15VDC@3.1A UNIVERSAL INPUT, MEDICAL
DRAWN: NF	DATE: 08/14/03	FSCN No.: G, Y	SIZE A	MODEL NO: GT-500148-15	REV. F
Contents of this document are subject to change without prior notice	APRVD : DMR	DATE: 08/14/03	SCALE: NONE	PART NO: GS-465	SHEET 1 OF 3

PROPRIETARY INFORMATION:

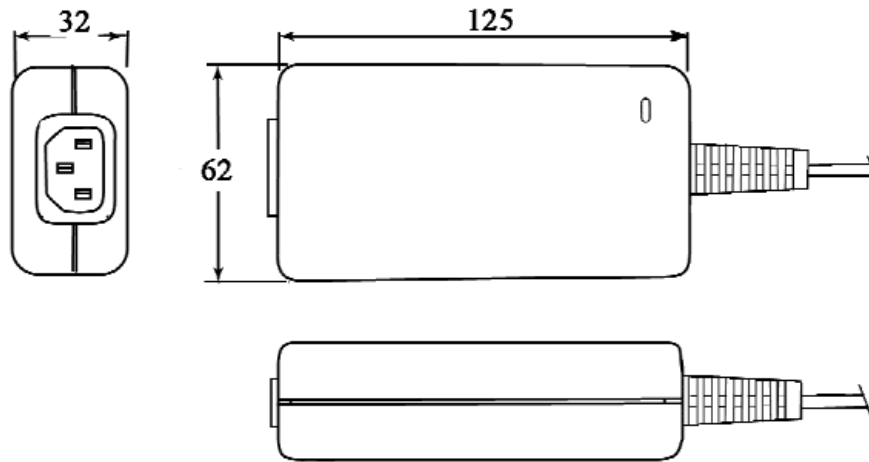
PROPRIETARY OF GLOBTEK, INC. ANY REPRODUCTION, DISCLOSURE OR USE OF THIS DRAWING, IN WHOLE OR IN PART, IS HEREBY PROHIBITED EXCEPT AS SPECIFIED IN WRITING BY GLOBTEK, INC.

3. ENCLOSURE

UPPER HOUSING: HIGH IMPACT PLASTIC, 94V0 POLYCARBONATE, NON-VENTED, COLOR BLACK

LOWER HOUSING: HIGH IMPACT PLASTIC 94V0 POLYCARBONATE, NON- VENTED, COLOR BLACK

SIZE: 125 X 62 X 32 ± 1 mm



4. INDICATOR: GREEN LED, OUTPUT PRESENT

5. INPUT CONNECTOR:

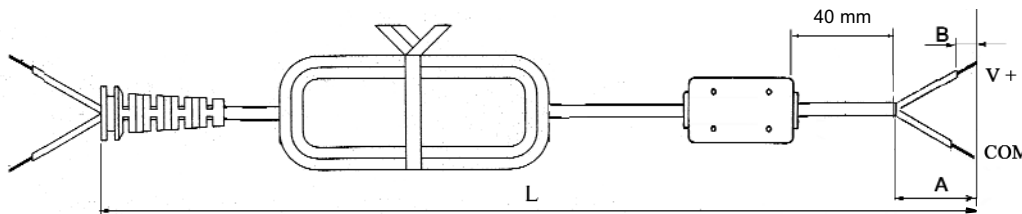
CONFIGURATION: CLASS 1 MODEL IEC320 / C14, AC POWER RECEPTACLE WITH 3 MALE PRONGS

6. OUTPUT CORD:

1 CONDUCTOR+SHIELD, 18 AWG STRANDED WIRE, ROUND UL #1181 CORD TYPE, COLOR BLACK , LENGTH OF CORD: 1830 ± 50mm. CORD IS MEASURED FROM THE HOUSING TO THE END OF OVERMOLD OF THE CONNECTOR. CABLE IS TO BE MARKED WITH WIRE GAUGE, AND ALL APPLICABLE RATING AND SAFETY APPROVALS. CABLE HAS MOLDED FERRITE CHOKE FAIR RITE P/N 2631540002 (14.2*28.5*8.2 mm) OR EQUIVALENT 45 ± 15 mm FROM O/P CONNECTOR.

7. OUTPUT CONNECTOR:

STRIPPED AND TINED



A = 30 mm
B = 8~10 mm

L = 1830 ± 50 mm

GlobTek, Inc.
www.globtek.com

186 Veterans Dr. Northvale, NJ 07647
Tel. 201-784-1000 Fax 201.784.0111

DWG TITLE: SWITCHING POWER SUPPLY, 48WATT, 15VDC@3.1A
UNIVERSAL INPUT, MEDICAL

MODEL NO: GT-500148-15

REV.
F

PART NO: GS-465

SHEET 2 OF 3

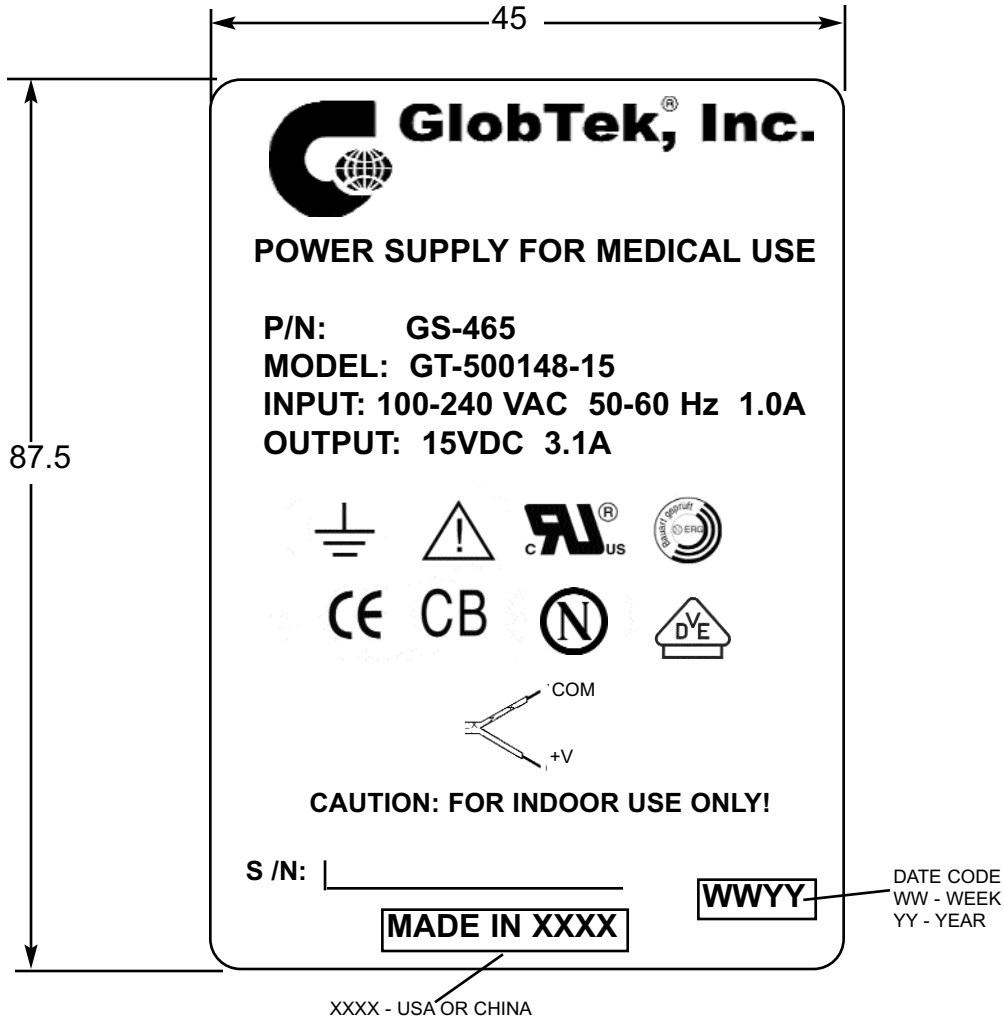
PROPRIETARY INFORMATION:

PROPRIETARY OF GLOBTEK, INC. ANY REPRODUCTION, DISCLOSURE OR USE OF THIS DRAWING, IN WHOLE OR IN PART, IS HEREBY PROHIBITED EXCEPT AS SPECIFIED IN WRITING BY GLOBTEK, INC.

8. LABEL:

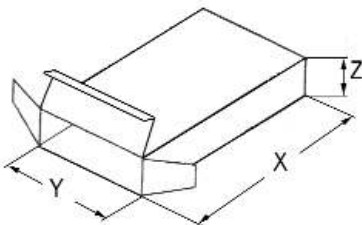
MATERIAL: .007 (0.18) THICK FLAT THERMAL TRANSFER, IMPRINTABLE, WHITE OR GRAY POLYESTER SHEET WITH BLACK NOMENCLATURE.

MANUFACTURER: STEVEN LABEL, MATERIAL I.D. NO.3302-33, UL FILE NO. MH12821(N), UL MATERIAL DESIGNATION FILE NO. GHW332RL. OPTIONAL LABEL MATERIAL CAN BE SUBSTITUTED PROVIDING MATERIAL IS UL LISTED AND COMPLIES WITH APPLICABLE SAFETY REQUIREMENTS.




9. INDIVIDUAL PACKING BOX:

MATERIAL: CORRUGATED FIBERBOARD, F-FLUTE 0.8 (2.0) THICK, DOUBLE WALL CONSTRUCTION. EXTERNAL FINISH: WHITE, COATED WITH GLOSS FINISH (AQUEOUS OR VARNISH) STYLE: TUCK SIDES WITH LOCKING TABS ON BOTH SIDES OF BOX. NO PRINTING ON THE OUTSIDE OF BOX.



X = 165 mm
Y = 110 mm
Z = 55 mm

 GlobTek, Inc. www.globtek.com		186 Veterans Dr. Northvale, NJ 07647 Tel. 201-784-1000 Fax 201.784.0111
DWG TITLE: SWITCHING POWER SUPPLY, 48WATT, 15VDC@3.1A UNIVERSAL INPUT, MEDICAL		
MODEL NO:	GT-500148-15	REV. F
PART NO:	GS-465	SHEET 3 OF 3