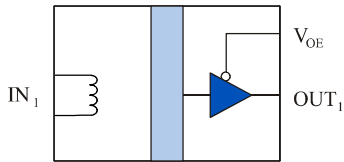
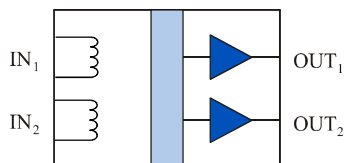


## Passive-Input Digital Isolators – CMOS Outputs

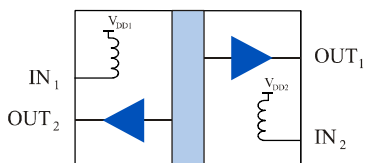
### Functional Diagrams



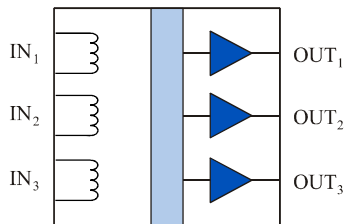
**IL610**



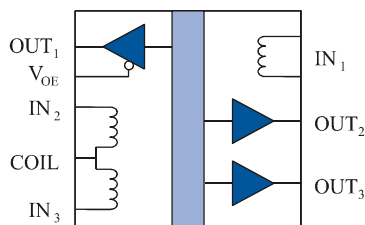
**IL611**



**IL612**



**IL613**



**IL614**

### Features

- Up to 100 Mbps data rate
- Flexible inputs with very wide input voltage range
- 5 mA input current
- Failsafe output (logic high output for zero coil current)
- No carrier or clock for low EMI emissions and susceptibility
- Low power dissipation
- 3 V to 5 V power supplies
- 44000 year barrier life
- -40 °C to 85 °C temperature range
- 2.5 kV isolation
- IEC 60747-17 (VDE 0884-17):2021-10; UL 1577
- 8-pin MSOP, SOIC, and PDIP packages
- 0.15", 0.3", or True 8™ mm SOIC packages

### Applications

- CAN Bus / Device Net
- Differential line receiver
- Optocoupler replacement
- SPI interface
- RS-485, RS-422, or RS-232
- Digital Fieldbus
- Space-critical multi-channel applications

### Description

The IL600 Series are passive input digital signal isolators with CMOS outputs. They have a similar interface but better performance and higher package density than optocouplers.

The devices are manufactured with NVE's patented\* IsoLoop® spintronic Giant Magnetoresistive (GMR) technology for small size, high speed, and low power.

A unique ceramic/polymer composite barrier provides excellent isolation and virtually unlimited barrier life.

A resistor sets the input current; a capacitor in parallel with the current-limit resistor provides improved dynamic performance.

These versatile components simplify inventory requirements by replacing a variety of optocouplers, functioning over a wide range of data rates, edge speeds, and power supply levels. The devices are available in various packages, as well as bare die.

## Absolute Maximum Ratings<sup>(1)</sup>

Parameters	Symbol	Min.	Typ.	Max.	Units	Test Conditions
Storage Temperature	T <sub>S</sub>	-55 <sup>(2)</sup>		150	°C	
Junction Temperature	T <sub>J</sub>	-55		150	°C	
Ambient Operating Temperature	T <sub>A</sub>	-40 <sup>(3)</sup>		85	°C	
Supply Voltage	V <sub>DD</sub>	-0.5		7	V	
DC Input Current	I <sub>IN</sub>	-25		25	mA	
AC Input Current (Single-Ended Input)	I <sub>IN</sub>	-35		35	mA	
AC Input Current (Differential Input)	I <sub>IN</sub>	-75		75	mA	
Output Voltage	V <sub>O</sub>	-0.5		V <sub>DD</sub> +1.5	V	
Maximum Output Current	I <sub>O</sub>	-10		10	mA	
ESD (output enable CMOS inputs)			2		kV	HBM

## Recommended Operating Conditions

Parameters	Symbol	Min.	Typ.	Max.	Units	Test Conditions
Ambient Operating Temperature	T <sub>A</sub>	-40 <sup>(3)</sup>		85	°C	
Junction Temperature	T <sub>J</sub>	-40		100	°C	
Supply Voltage	V <sub>DD</sub>	3.0		5.5	V	
Output Current	I <sub>OUT</sub>	-4		4	mA	
Common Mode Input Voltage	V <sub>CM</sub>			400	V <sub>RMS</sub>	

**Note 1:** Operating at absolute maximum ratings will not damage the device. Parametric performance is not guaranteed at absolute maximum ratings.

**Note 2:** -55°C applies to all except IL611-1E. -20°C applies to IL611-1E

**Note 3:** -40°C applies to all except IL611-1E. -20°C applies to IL611-1E

## Safety and Approvals

**IEC 60747-17 (VDE 0884-17):2021-10** (Basic Isolation; VDE File Number 5016933-4880-0001):

- Isolation voltage ( $V_{ISO}$ ): 2500  $V_{RMS}$
- Transient overvoltage ( $V_{IOTM}$ ): 4000  $V_{PK}$
- Surge rating 4000 V
- Each part tested at 1590  $V_{PK}$  for 1 second, 5 pC partial discharge limit
- Samples tested at 4000  $V_{PK}$  for 60 sec.; then 1358  $V_{PK}$  for 10 sec. with 5 pC partial discharge limit
- Working Voltage ( $V_{IORM}$ ; pollution degree 2):

Package	Part No. Suffix	Working Voltage
MSOP8	-1	800 $V_{RMS}$
SOIC8	-3	700 $V_{RMS}$
PDIP8	-2	900 $V_{RMS}$
Narrow-body SOIC16	-3	700 $V_{RMS}$
Wide-body SOIC16/True 8™	None	600 $V_{RMS}$

Safety-Limiting Values	Symbol	Value	Units
Safety rating ambient temperature	$T_S$	180	°C
Safety rating power (180°C)	$P_S$	270	mW
Supply current safety rating (total of supplies)	$I_S$	54	mA

**UL 1577** (Component Recognition Program File Number E207481)

- 2500 V rating for all types other than MSOP.
- Each part other than MSOP tested at 3000  $V_{RMS}$  (4240  $V_{PK}$ ) for 1 second; each lot sample tested at 2500  $V_{RMS}$  (3530  $V_{PK}$ ) for 1 minute.
- MSOP rating 1000 V; tested at 1200  $V_{RMS}$  (1768  $V_{PK}$ ) for 1 second; each lot sample tested at 1500  $V_{RMS}$  (2121  $V_{PK}$ ) for 1 minute.

## Soldering Profile

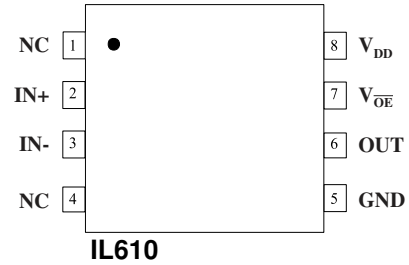
Per JEDEC J-STD-020C; MSL 1

## Electrostatic Discharge Sensitivity

This product has been tested for electrostatic sensitivity to the limits stated in the specifications. However, NVE recommends that all integrated circuits be handled with appropriate care to avoid damage. Damage caused by inappropriate handling or storage could range from performance degradation to complete failure.

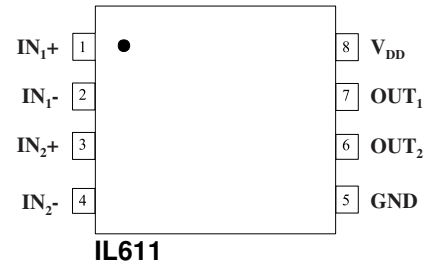
## IL610 Pin Connections

1	NC	No internal connection
2	IN+	Coil connection
3	IN-	Coil connection
4	NC	No internal connection
5	GND	Ground return for $V_{DD}$
6	OUT	Data out
7	$V_{OE}$	Output enable. Internally held low with 100 k $\Omega$
8	$V_{DD}$	Supply Voltage



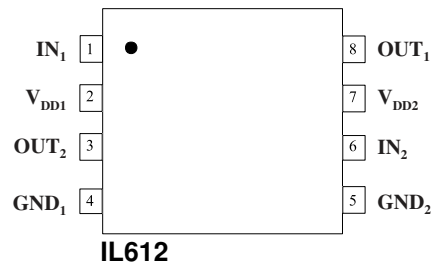
## IL611 Pin Connections

1	IN <sub>1+</sub>	Channel 1 coil connection
2	IN <sub>1-</sub>	Channel 1 coil connection
3	IN <sub>2+</sub>	Channel 2 coil connection
4	IN <sub>2-</sub>	Channel 2 coil connection
5	GND	Ground return for $V_{DD}$
6	OUT <sub>2</sub>	Data out, channel 2
7	OUT <sub>1</sub>	Data out, channel 1
8	$V_{DD}$	Supply Voltage



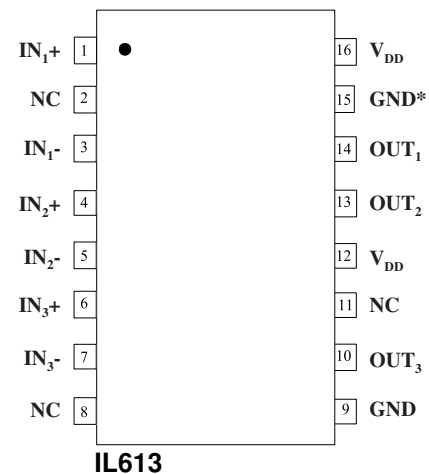
## IL612 Pin Connections

1	IN <sub>1</sub>	Data in, channel 1
2	$V_{DD1}$	Supply Voltage 1
3	OUT <sub>2</sub>	Data out, channel 2
4	GND <sub>1</sub>	Ground return for $V_{DD1}$
5	GND <sub>2</sub>	Ground return for $V_{DD2}$
6	IN <sub>2</sub>	Data in, channel 2
7	$V_{DD2}$	Supply Voltage 2
8	OUT <sub>1</sub>	Data out, channel 1



## IL613 Pin Connections

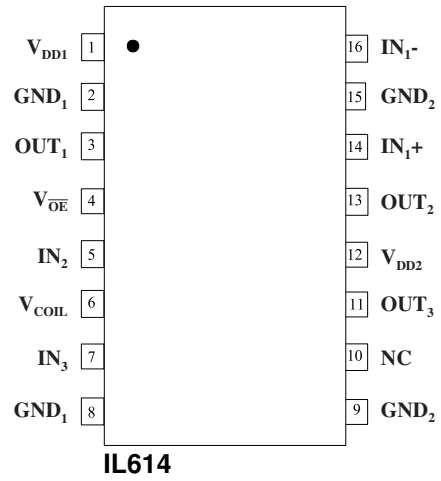
1	IN <sub>1+</sub>	Channel 1 coil connection
2	NC	No connection (internally connected to pin 8)
3	IN <sub>1-</sub>	Channel 1 coil connection
4	IN <sub>2+</sub>	Channel 2 coil connection
5	IN <sub>2-</sub>	Channel 2 coil connection
6	IN <sub>3+</sub>	Channel 3 coil connection
7	IN <sub>3-</sub>	Channel 3 coil connection
8	NC	No connection (internally connected to pin 2)
9	GND	Ground return for $V_{DD}$ (internally connected to pin 15)
10	OUT <sub>3</sub>	Data out, channel 3
11	NC	No connection
12	$V_{DD}$	Supply Voltage. Pin 12 and pin 16 must be connected externally
13	OUT <sub>2</sub>	Data out, channel 2
14	OUT <sub>1</sub>	Data out, channel 1
15	GND	Ground return for $V_{DD}$ (internally connected to pin 9)
16	$V_{DD}$	Supply Voltage. Pin 12 and pin 16 must be connected externally



Note: Pins 12 and 16 must be connected externally.

## IL614 Pin Connections

1	V <sub>DD1</sub>	Supply Voltage 1
2	GND <sub>1</sub>	Ground return for V <sub>DD1</sub> (internally connected to pin 8)
3	OUT <sub>1</sub>	Data out, channel 1
4	V <sub>OE</sub>	Channel 1 data output enable. Internally held low with 100 kΩ
5	IN <sub>2</sub>	Data in, channel 2
6	V <sub>coil</sub>	Supply connection for channel 2 and channel 3 coils
7	IN <sub>3</sub>	Data in, channel 3
8	GND <sub>1</sub>	Ground return for V <sub>DD1</sub> (internally connected to pin 2)
9	GND <sub>2</sub>	Ground return for V <sub>DD2</sub> (internally connected to pin 15)
10	NC	No Connection
11	OUT <sub>3</sub>	Data out, channel 3
12	V <sub>DD2</sub>	Supply Voltage 2
13	OUT <sub>2</sub>	Data out, channel 2
14	IN <sub>1+</sub>	Coil connection
15	GND <sub>2</sub>	Ground return for V <sub>DD2</sub> (internally connected to pin 9)
16	IN <sub>1-</sub>	Coil connection

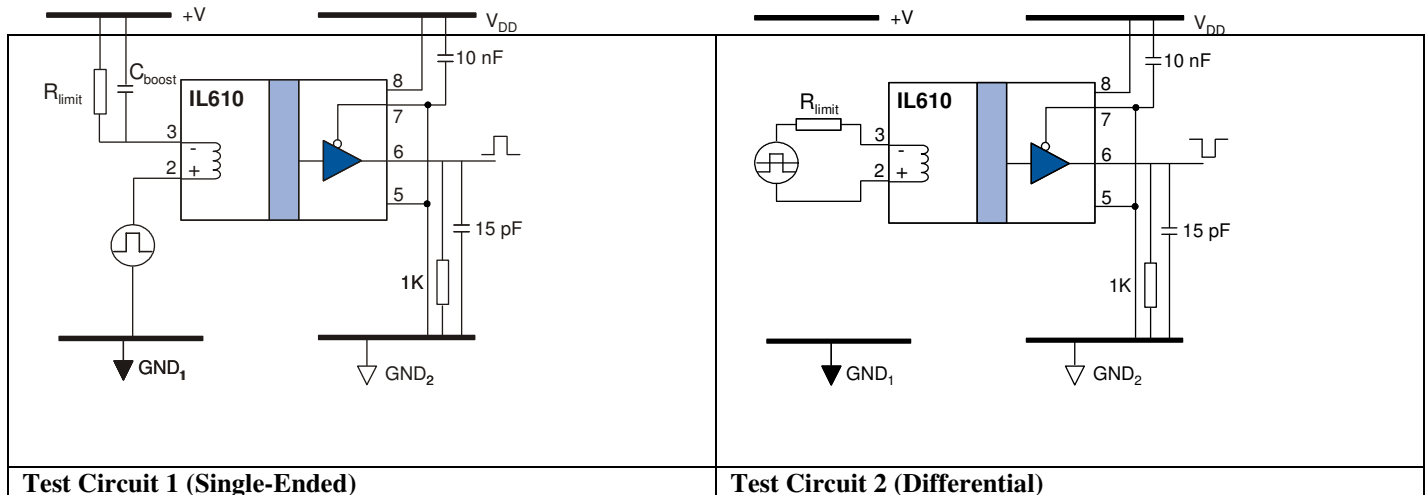


## Operating Specifications

Input Specifications ( $V_{DD} = 3\text{ V} - 5.5\text{ V}$ ; $T = -40^{\circ}\text{C}^{(2)} - 85^{\circ}\text{C}$ unless otherwise stated)						
Parameters	Symbol	Min.	Typ.	Max.	Units	Test Conditions
Coil Input Resistance	$R_{COIL}$	47	85	112	$\Omega$	$T = 25^{\circ}\text{C}$
		31	85	128	$\Omega$	$T = -40^{\circ}\text{C} - 85^{\circ}\text{C}$
Coil Resistance Temperature Coefficient	$TC R_{COIL}$		0.2	0.25	$\Omega/^{\circ}\text{C}$	
Coil Inductance	$L_{COIL}$		9		nH	
DC Input Threshold (5 V)	$I_{INH-DC}$	0.5	1		mA	Test Circuit 1; $V_{DD} = 4.5\text{ V} - 5.5\text{ V}$
	$I_{INL-DC}$		3.5	5	mA	
DC Input Threshold (3 V)	$I_{INH-DC}$	0.3	0.5		mA	Test Circuit 1; $V_{DD} = 3\text{ V} - 3.6\text{ V}$ ; no boost cap
	$I_{INL-DC}$		5	8	mA	
Dynamic Input Threshold (3 V)	$I_{INH-BOOST}$	0.5	1		mA	$V_{DD} = 3\text{ V} - 3.6\text{ V}$ ; $t_{IR} = t_{IF} = 3\text{ ns}$ ; $C_{BOOST} = 16\text{ pF}$
	$I_{INL-BOOST}$		3.5	5	mA	
Differential Input Threshold	$I_{INH-DIFF}$	0.5	1		mA	Test Circuit 2; $V_{DD} = 3\text{ V} - 5.5\text{ V}$ ; input current reverses; boost cap not required
	$I_{INL-DIFF}$		3.5	5	mA	
Failsafe Input Current <sup>(1)</sup> (5 V)	$I_{FS-HIGH}$	-25		0.5	mA	Test Circuit 1; $V_{DD} = 4.5\text{ V} - 5.5\text{ V}$
	$I_{FS-LOW}$	5		25	mA	
Failsafe Input Current <sup>(1)</sup> (3 V)	$I_{FS-HIGH}$	-25		0.3	mA	Test Circuit 1; $V_{DD} = 3\text{ V} - 3.6\text{ V}$
	$I_{FS-LOW}$	8		25	mA	
VOE Logic High Input Voltage	$V_{IH}$	2.4		$V_{DD1}$	V	
VOE Logic Low Input Voltage	$V_{IL}$	0		0.8	V	
Input Signal Rise and Fall Times	$t_{IR}, t_{IF}$			1	$\mu\text{s}$	
Common Mode Transient Immunity	$ ICM_H ,  ICM_L $	15	20		kV/ $\mu\text{s}$	$V_T = 300\text{ V}_{peak}$

### Notes:

- Failsafe Operation is defined as the guaranteed output state which will be achieved if the DC input current falls between the input levels specified (see Test Circuit 1 for details). Note if Failsafe to Logic Low is required, the DC current supplied to the coil must be at least 8 mA using 3.3 V supplies versus 5 mA for 5 V supplies.
- 20°C for IL611-1E



5 V Electrical Specifications ( $V_{DD} = 4.5\text{ V} - 5.5\text{ V}$ ; $T = -40^{\circ}\text{C}^{(5)} - 85^{\circ}\text{C}$ unless otherwise stated)						
Parameters	Symbol	Min.	Typ.	Max.	Units	Test Conditions
Quiescent Supply Current						
IL610	$I_{DD}$		2	3	mA	$V_{DD} = 5\text{ V}$ , $I_{IN} = 0$
IL611	$I_{DD}$		4	6		
IL612	$I_{DD1}$		2	3		
IL612	$I_{DD2}$		2	3		
IL613	$I_{DD}$		6	9		
IL614	$I_{DD1}$		2	3		
IL614	$I_{DD2}$		4	6		
Logic High Output Voltage	$V_{OH}$	4.9	5		V	$V_{DD} = 5\text{ V}$ , $I_O = 20\ \mu\text{A}$
		4.0	4.8		V	$V_{DD} = 5\text{ V}$ , $I_O = 4\text{ mA}$
Logic Low Output Voltage	$V_{OL}$		0	0.1	V	$V_{DD} = 5\text{ V}$ , $I_O = -20\ \mu\text{A}$
			0.2	0.8	V	$V_{DD} = 5\text{ V}$ , $I_O = -4\text{ mA}$
Logic Output Drive Current	$I_{O1}$	7	10		mA	

5 V Switching Specifications ( $V_{DD} = 4.5\text{ V} - 5.5\text{ V}$ ; $T = -40^{\circ}\text{C}^{(5)} - 85^{\circ}\text{C}$ unless otherwise stated)						
Parameters	Symbol	Min.	Typ.	Max.	Units	Test Conditions
Data Rate		100			Mbps	Test Circuit 1; $t_{IR} = t_{IF} = 3\text{ ns}$ ; $C_{BOOST} = 16\text{ pF}$
Minimum Pulse Width <sup>(1)</sup>	PW	10			ns	
Propagation Delay Input to Output (High-to-Low)	$t_{PHL}$		8	15	ns	
Propagation Delay Input to Output (Low to High)	$t_{PLH}$		8	15	ns	
Average Propagation Delay Drift	$t_{PLH}$		10		ps/ $^{\circ}\text{C}$	
Pulse Width Distortion $ t_{PHL} - t_{PLH} ^{(2)}$	PWD		3	5	ns	
Pulse Jitter <sup>(3)</sup>	$t_J$			100	ps	
Propagation Delay Skew <sup>(4)</sup>	$t_{PSK}$	-2		2	ns	
Output Rise Time (10–90%)	$t_R$		2	4	ns	
Output Fall Time (10–90%)	$t_F$		2	4	ns	

**Notes:**

1. Minimum Pulse Width is the shortest pulse width at which the specified PWD is guaranteed.
2. PWD is defined as  $|t_{PHL} - t_{PLH}|$ .
3. 66,535-bit pseudo-random binary signal (PRBS) NRZ bit pattern with no more than five consecutive 1s or 0s; 800 ps transition time.
4.  $t_{PSK}$  is equal to the magnitude of the worst case difference in  $t_{PHL}$  and/or  $t_{PLH}$  that will be seen between units at 25°C.
5. -20°C for IL611-1E

3.3 V Electrical Specifications ( $V_{DD} = 3\text{ V} - 3.6\text{ V}$ ; $T = -40^{\circ}\text{C}^{(4)} - 85^{\circ}\text{C}$ unless otherwise stated)						
Parameters	Symbol	Min.	Typ.	Max.	Units	Test Conditions
Quiescent Supply Current						
IL610	$I_{DD}$		1.3	2	mA	$V_{DD} = 3.3\text{ V}$ , $I_{IN} = 0$
IL611	$I_{DD}$		2.6	4		
IL612	$I_{DD1}$		1.3	2		
IL612	$I_{DD2}$		1.3	2		
IL613	$I_{DD}$		4	6		
IL614	$I_{DD1}$		1.3	2		
IL614	$I_{DD2}$		2.6	4		
Logic High Output Voltage	$V_{OH}$	3.2	3.3		V	$V_{DD} = 3.3\text{ V}$ , $I_O = 20\ \mu\text{A}$
		3.0	3.1		V	$V_{DD} = 3.3\text{ V}$ , $I_O = 4\text{ mA}$
Logic Low Output Voltage	$V_{OL}$		0	0.1	V	$V_{DD} = 3.3\text{ V}$ , $I_O = -20\ \mu\text{A}$
			0.2	0.8	V	$V_{DD} = 3.3\text{ V}$ , $I_O = -4\text{ mA}$
Logic Output Drive Current	$I_{O1}$	7	10		mA	

3.3 V Switching Specifications ( $V_{DD} = 3\text{ V} - 3.6\text{ V}$ ; $T = -40^{\circ}\text{C}^{(4)} - 85^{\circ}\text{C}$ unless otherwise stated)						
Data Rate		100			Mbps	Test Circuit 1; $t_{IR} = t_{IF} = 3\text{ ns}$ ; $C_{BOOST} = 16\text{ pF}$
Minimum Pulse Width <sup>(1)</sup>	PW	10			ns	
Propagation Delay Input to Output (High to Low)	$t_{PHL}$		12	18	ns	
Propagation Delay Input to Output (Low to High)	$t_{PLH}$		12	18	ns	
Average Propagation Delay Drift	$t_{PLH}$		10		ps/ $^{\circ}\text{C}$	
Pulse Width Distortion $ t_{PHL} - t_{PLH} $ <sup>(2)</sup>	PWD		3	5	ns	
Propagation Delay Skew <sup>(3)</sup>	$t_{PSK}$	-2		2	ns	
Output Rise Time (10–90%)	$t_R$		3	5	ns	
Output Fall Time (10–90%)	$t_F$		3	5	ns	

**Notes:**

1. The Minimum Pulse Width is the shortest pulse width at which the specified PWD is guaranteed.
2. PWD is defined as  $|t_{PHL} - t_{PLH}|$ .
3.  $t_{PSK}$  is equal to the magnitude of the worst case difference in  $t_{PHL}$  and/or  $t_{PLH}$  that will be seen between units at 25°C.
4. -20°C for IL611-1E



## Insulation Specifications

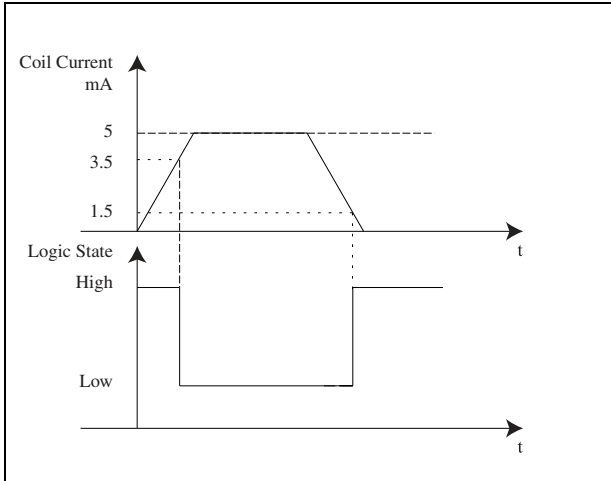
Parameters	Symbol	Min.	Typ.	Max.	Units	Test Conditions
Creepage Distance (external)						
MSOP		3.01			mm	
0.15" SOIC		4.03			mm	
0.3" SOIC		8.03	8.3		mm	Per IEC 60601
PDIP		7.08			mm	
Total Barrier Thickness (internal)						
		0.012	0.013		mm	
Leakage Current						
			0.2		μA	240 V <sub>RMS</sub> , 60 Hz
Barrier Resistance						
	R <sub>IO</sub>		>10 <sup>14</sup>			500 V
Barrier Capacitance						
	C <sub>IO</sub>		7		Ω    pF	f = 1 MHz
Comparative Tracking Index						
	CTI	≥175			V	Per IEC 60112
High Voltage Endurance (Maximum Barrier Voltage for Indefinite Life)						
AC	V <sub>IO</sub>	1000			V <sub>RMS</sub>	At maximum operating temperature
DC		1500			V <sub>DC</sub>	
Barrier Life						
			44000		Years	100°C, 1000 V <sub>RMS</sub> , 60% CL activation energy

## Thermal Characteristics

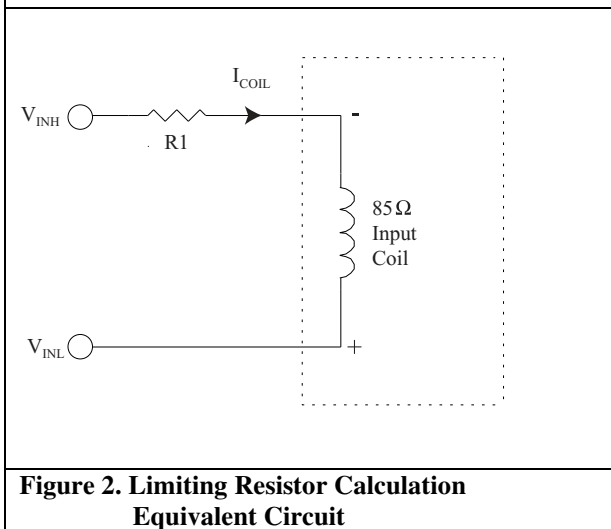
Parameter		Symbol	Min.	Typ.	Max.	Units	Test Conditions
Junction–Ambient Thermal Resistance	MSOP8	θ <sub>JA</sub>		184			Double-sided PCB in free air
	0.15" SOIC8			134			
	0.15" SOIC16			82			
	0.3" SOIC16			67			
PDIP8	114						
Junction–Case (Top) Thermal Resistance	MSOP8	θ <sub>JC</sub>		15		°C/W	
	0.15" SOIC8			10			
	0.15" SOIC16			8			
	0.3" SOIC16			12			
PDIP8	36						
Junction–Ambient Thermal Resistance	0.3" SOIC	θ <sub>JA</sub>		46		2s2p PCB in free air per JESD51	
Junction–Case (Top) Thermal Resistance		θ <sub>JC</sub>		9			
Power Dissipation	MSOP8	P <sub>D</sub>			500	mW	
	0.15" SOIC8				675		
	0.15" SOIC16				675		
	0.3" SOIC16				1500		
	PDIP8				800		

## Applications Information

IL600-Series Isolators are current mode devices. Changes in current flow into the input coil result in logic state changes at the output. As shown in Figure 1, output logic high is the zero input current state.



**Figure 1. Typical IL600-Series Transfer Function**



**Figure 2. Limiting Resistor Calculation Equivalent Circuit**

metal. In differential mode, erosion takes place in both directions as each current cycle reverses and has a net effect of zero up to the absolute maximum current.

An advantage over optocouplers and other high-speed couplers in differential mode is that no reverse bias protection for the input structure is required for a differential signal.

One of the more common applications is for an isolated Differential Line Receiver. For example, RS-485 can drive an IL610 directly for a fraction of the cost of an isolated RS-485 node (see *Illustrative Applications*).

### Coil Polarity

The device switches to logic low if current flows from (In-) to (In+). *Note that the designations “In-“ and “In+” refer to logic levels, not current flow.* Positive values of current mean current flow into the In- input.

### Input Resistor Selection

Resistors set the coil input current (see Figure 2). There is no limit to input voltages because there are no semiconductor input structures.

Worst-case logic low threshold current is 8 mA, which is for single-ended operation with a 3 V supply. In differential mode, where the input current reverses, the logic low threshold current is 5 mA for the range of supplies. A “boost capacitor” creates current reversals at edge transitions, reducing the input logic low threshold current to the differential level of 5 mA.

### Typical Resistor Values

V <sub>COIL</sub>	Coil Resistor
3.3 V	510 Ω
5 V	820 Ω

The table shows typical values for the external resistor for 5 mA coil current. The values are approximate and should be adjusted for temperature or other application specifics.

### Single-Ended or Differential Input

The IL610, IL611, IL613, and channel 1 of the IL614 can be run with single-ended or differential inputs (see Test Circuits on page 5). In the differential mode, current will naturally flow through the coil in both directions without a boost capacitor, although the capacitor can still be used for increased external field immunity or improved PWD.

Absolute Maximum recommended coil current in single-ended mode is 25 mA while differential mode allows up to ±75 mA to flow. The difference in specifications is due to the risk of electromigration of coil metals under constant current flow. In single ended mode, long-term DC current flow above 25 mA can cause erosion of the coil

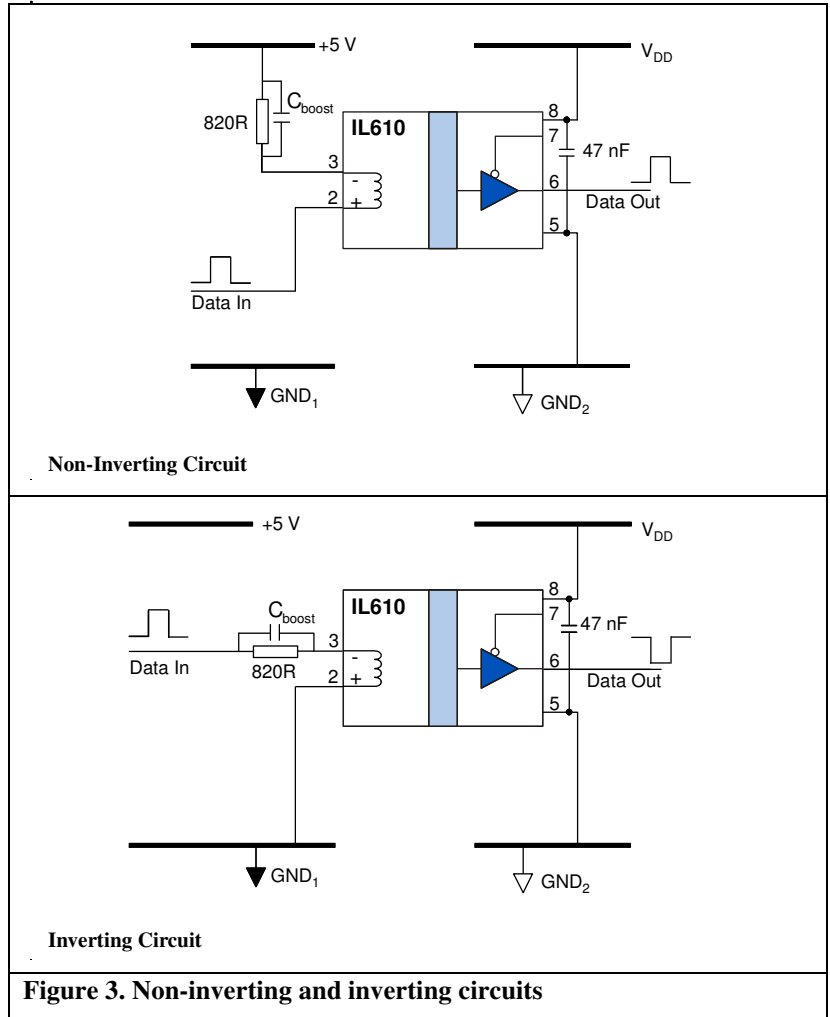
## Non-inverting and Inverting Configurations

IL600-Series Isolators can be configured in non-inverting and inverting configurations (see Figure 3). In a typical non-inverting circuit, the In- terminal is connected via a 1 kΩ input resistor to the supply rail, and the input is connected to the In+ terminal. The supply voltage is +5 V and the input signal is a 5 V CMOS signal. When a logic high (+5 V) is applied to the input, the current through the coil is zero. When the input is a logic low (0 V), at least 5 mA flows through the coil from the In- side to the In+ side.

The inverting configuration is similar to standard logic. In the inverting configuration, the signal into the coil is differential with respect to ground. The designer must ensure that the difference between the logic low voltage and the coil ground is such that the residual coil current is less than 0.5 mA.

The IL612 and IL614 devices have some inputs that do not offer inverting operation. The IL612 coil In- input is hardwired internally to the device power supply; therefore it is important to ensure the isolator power supply is at the same voltage as the power supply to the source of the input logic signal. The IL614 has a common coil In- for two inputs. This pin should be connected to the power supply for the logic driving channels 2 and 3, and the channels run should be run in non-inverting mode.

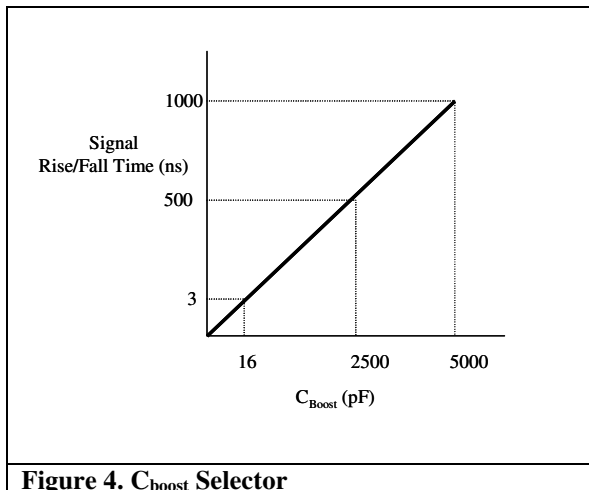
Both single ended and differential inputs can be handled without reverse bias protection.



**Figure 3. Non-inverting and inverting circuits**

## Boost Capacitor

The boost capacitor in parallel with the current-limiting resistor boosts the instantaneous coil current at the signal transition. This ensures switching and reduces propagation delay and reduces pulse-width distortion.



**Figure 4. C<sub>boost</sub> Selector**

**Select the value of the boost capacitor based on the rise and fall times of the signal driving the inputs.** The instantaneous boost capacitor current is proportional to input edge speeds ( $C \frac{dV}{dt}$ ). Select a capacitor value based on the rise and fall times of the input signal to be isolated that provides approximately 20 mA of additional “boost” current. Figure 4 is a guide to boost capacitor selection. For high-speed logic signals ( $t_r, t_f < 10$  ns), a 16 pF capacitor is recommended. The capacitor value is generally not critical; if in doubt, choose a higher value.

## Dynamic Power Consumption

Power consumption is proportional to duty cycle, not data rate. The use of NRZ coding minimizes power dissipation since no additional power is consumed when the output is in the high state. In differential mode, where the logic high condition may still require a current to be forced through the coil, power consumption will be higher than a typical NRZ single ended configuration.

## Power Supply Decoupling

0.1  $\mu\text{F}$  typical (0.047  $\mu\text{F}$  minimum) capacitors are recommended to decouple the power supplies. The capacitors should be placed as close as possible to the appropriate  $V_{\text{DD}}$  pin.

## Maintaining Creepage

Creepage distances are often critical in isolated circuits. In addition to meeting JEDEC standards, NVE isolator packages have unique creepage specifications. Standard pad libraries often extend under the package, compromising creepage and clearance. Similarly, ground planes, if used, should be spaced to avoid compromising clearance. Package drawings and recommended pad layouts are included in this datasheet.

## Electromagnetic Compatibility and Magnetic Field Immunity

Because IL600-Series Isolators are completely static, they have the lowest emitted noise of any non-optical isolators.

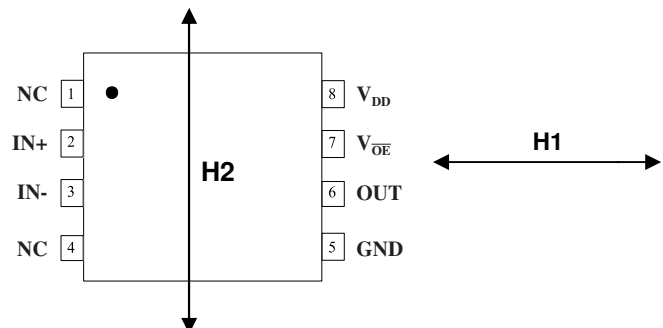
IsoLoop Isolators operate by imposing a magnetic field on a GMR sensor, which translates the change in field into a change in logic state. A magnetic shield and a Wheatstone Bridge configuration provide good immunity to external magnetic fields.

Immunity to external magnetic fields can be enhanced by proper orientation of the device with respect to the field direction, the use of differential signaling, and boost capacitors.

### 1. Orientation of the device with respect to the field direction

An applied field in the “H1” direction is the worst case for magnetic immunity. In this case the external field is in the same direction as the applied internal field. In one direction it will tend to help switching; in the other it will hinder switching. This can cause unpredictable operation.

An applied field in direction “H2” has considerably less effect and results in higher magnetic immunity.



### 2. Differential Signaling and Boost Capacitors

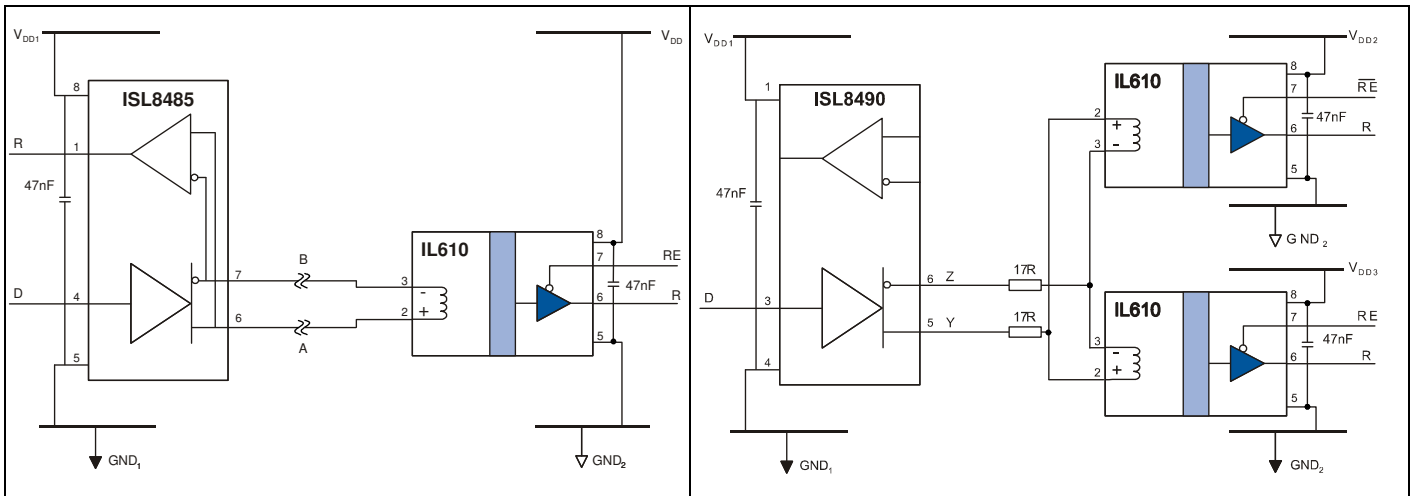
Regardless of orientation, driving the coil differentially improves magnetic immunity. This is because the logic high state is driven by an applied field instead of zero field, as is the case with single-ended operation. The higher the coil current, the higher the internal field, and the higher the immunity to external fields. Optimal magnetic immunity is achieved by adding the boost capacitor.

Method	Approximate Immunity	Immunity Description
Field applied in H1 direction	$\pm 20$ Gauss	A DC current of 16 A flowing in a conductor 1 cm from the device could cause disturbance.
Field applied in H2 direction	$\pm 70$ Gauss	A DC current of 56 A flowing in a conductor 1 cm from the device could cause disturbance.
Field applied in any direction but with boost capacitor (16 pF) in circuit	$\pm 250$ Gauss	A DC current of 200 A flowing in a conductor 1 cm from the device could cause disturbance.

## Data Rate and Magnetic Field Immunity

It is easier to disrupt an isolated DC signal with an external magnetic field than it is to disrupt an isolated AC signal. Similarly, a DC magnetic field will have a greater effect on the device than an AC magnetic field of the same effective magnitude. For example, signals with pulses longer than 100  $\mu\text{s}$  are more susceptible to magnetic fields than shorter pulse widths.

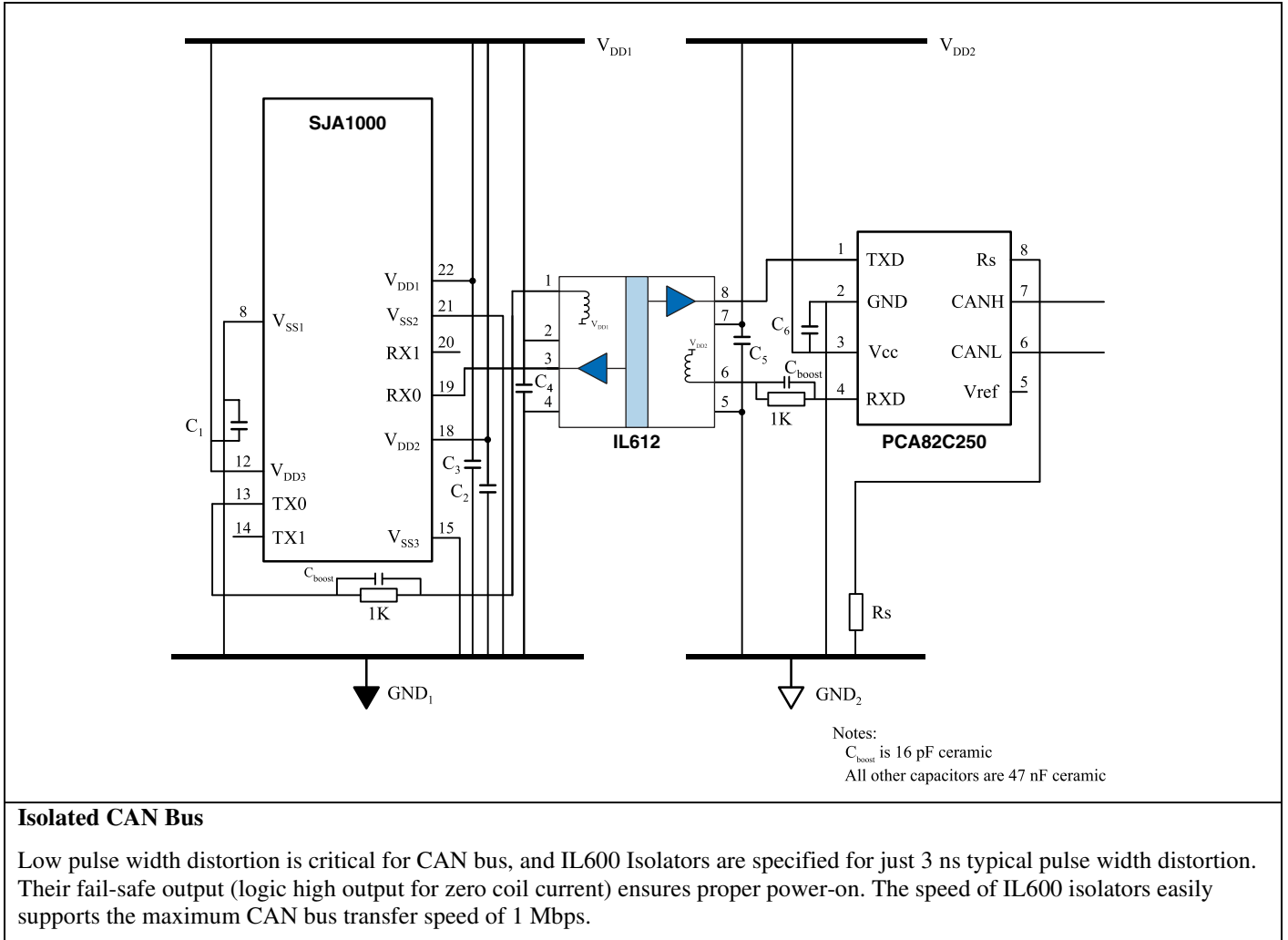
## Illustrative Applications



### Isolated RS-485 and RS-422 Receivers Using IL610s

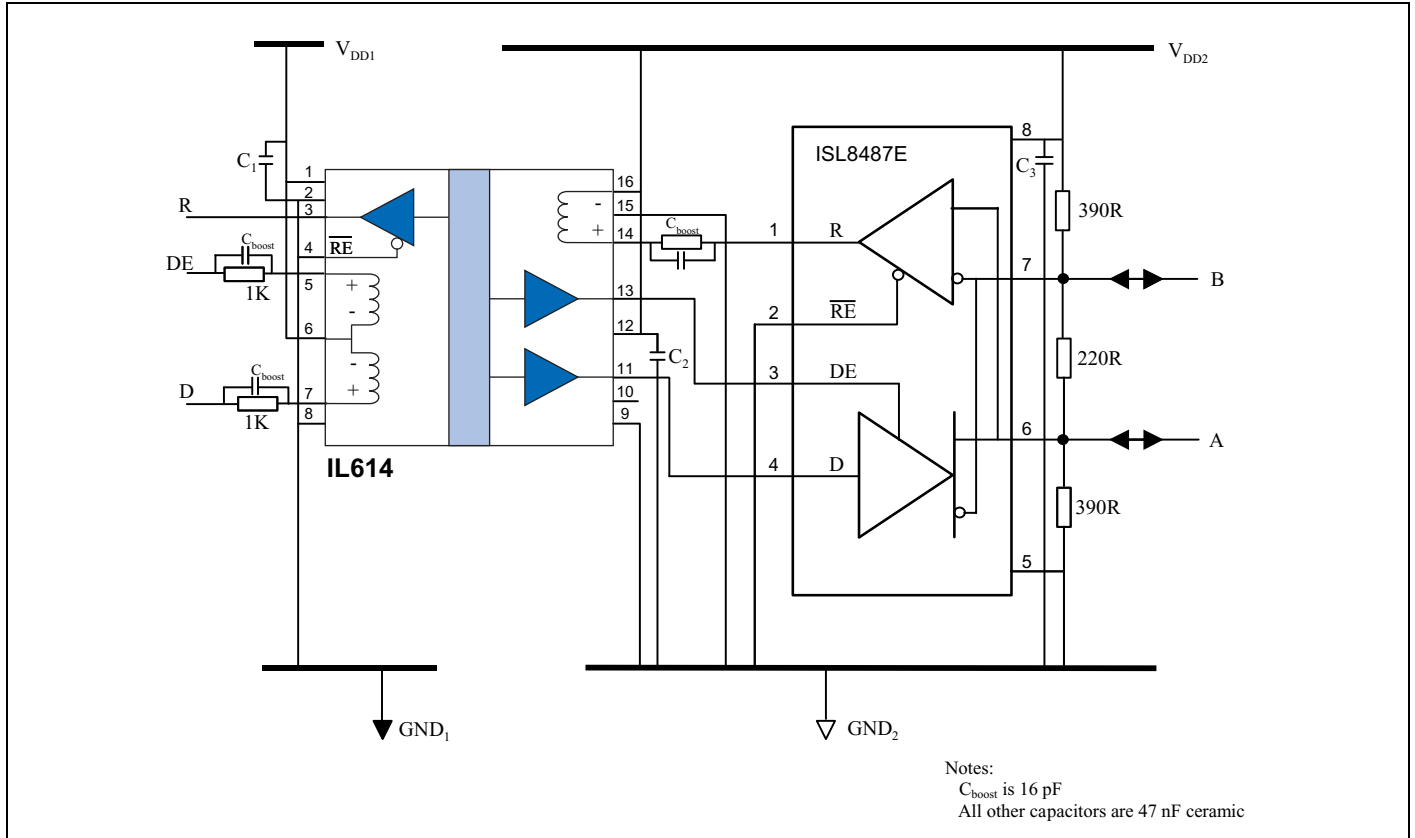
IL610 components can be used as simple isolated RS-485 or RS-422 receivers, terminating signals at the IL610 for a fraction of the cost of an isolated node. Cabling is simplified by eliminating the need to power the input side of the receiving board. No current-limiting resistor is needed for a single receiver because it will draw less current than the driver maximum. Current limiting resistors allow at least eight nodes without exceeding the maximum load of the transceiver. Placement of the current-limiting resistors on both lines provides better dynamic signal balance. There is generally no need for line termination resistors below data rates of approximately 10 Mbps because the IL610 coil resistance of approximately  $85\ \Omega$  is close to the characteristic impedance of most cables. The circuit is intrinsically open-circuit failsafe because the IL610 is guaranteed to switch to the high state when the coil input current is less than 0.5 mA.

Number of Nodes	Current Limit Resistors ( $\Omega$ )
1	None
2	17
3	22
4	27
5	27
6	27
7	30
8	33



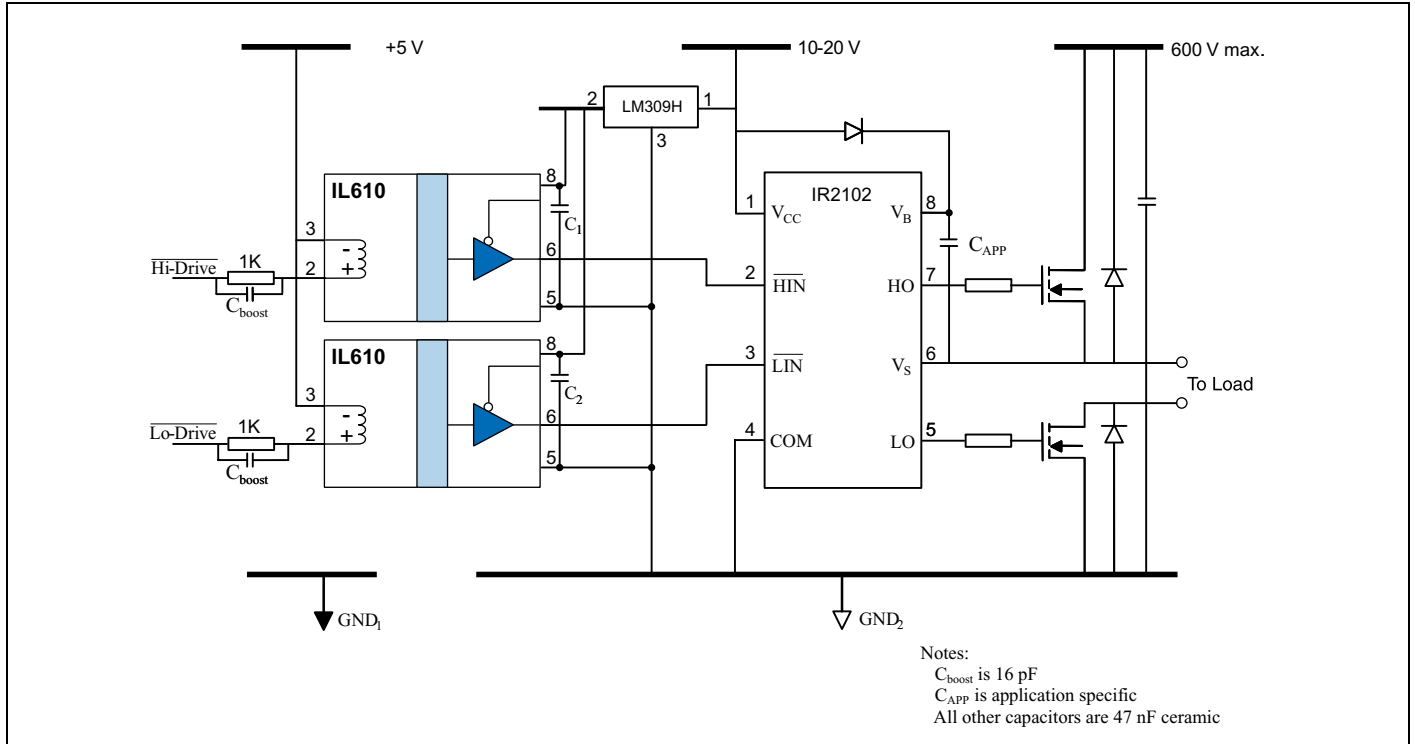
### Isolated CAN Bus

Low pulse width distortion is critical for CAN bus, and IL600 Isolators are specified for just 3 ns typical pulse width distortion. Their fail-safe output (logic high output for zero coil current) ensures proper power-on. The speed of IL600 isolators easily supports the maximum CAN bus transfer speed of 1 Mbps.



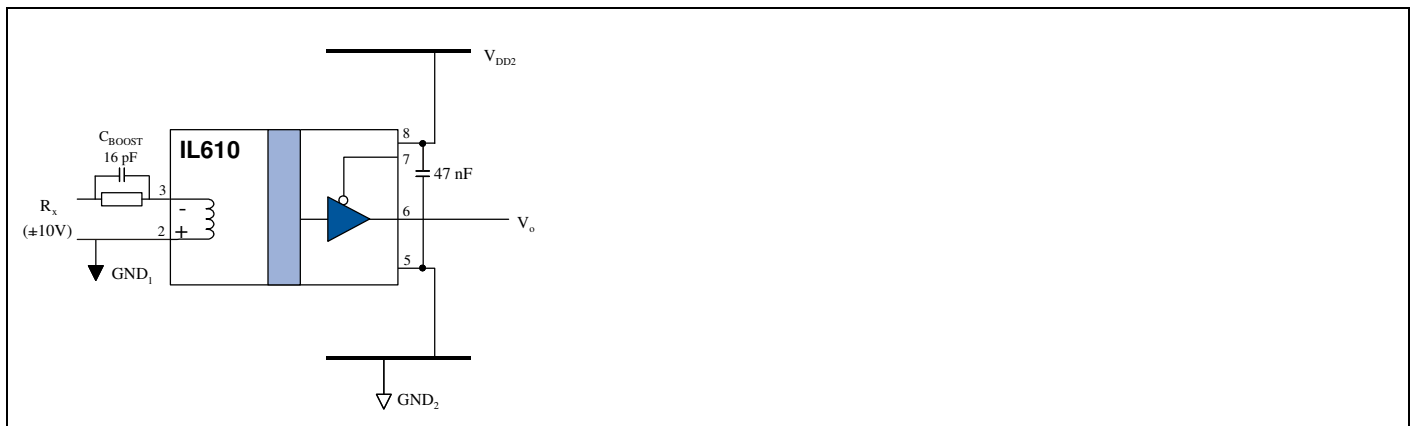
### Isolated RS-485 – Fractional Load

The unique IL614 three-channel isolator can be used as part of a multi-chip design with a variety of non-isolated transceivers. The IL614 provides 2.5 kV<sub>RMS</sub> isolation (1 minute) and 20 kV/ $\mu$ s transient immunity. The IL614-3 is in a narrow-body (0.15 inch-wide) package when board space is critical.



### Single-Phase Power Control

The fail-safe output (logic high output for zero coil current) of IL600 Isolators ensures power FETs will be off on power-up. The IL600 inputs can be configured for inverting or non-inverting operation (see Applications Information).



### Isolated RS-232 Receiver Using IL610

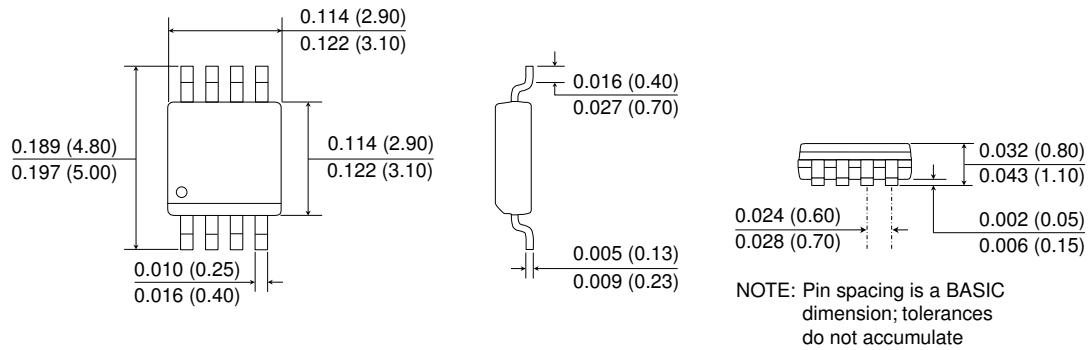
An IL610 can be used as a simple isolated RS-232 receiver. Most RS-232 nodes have at least 5 mA drive capability to switch the IL610. Cabling is simplified by eliminating the need to power the input side of the receiving board. A similar circuit can be used for RS-422/RS-485, LVDS, or other differential networks. The IL610-1 is a unique MSOP isolator when board space is critical.



## Package Drawings

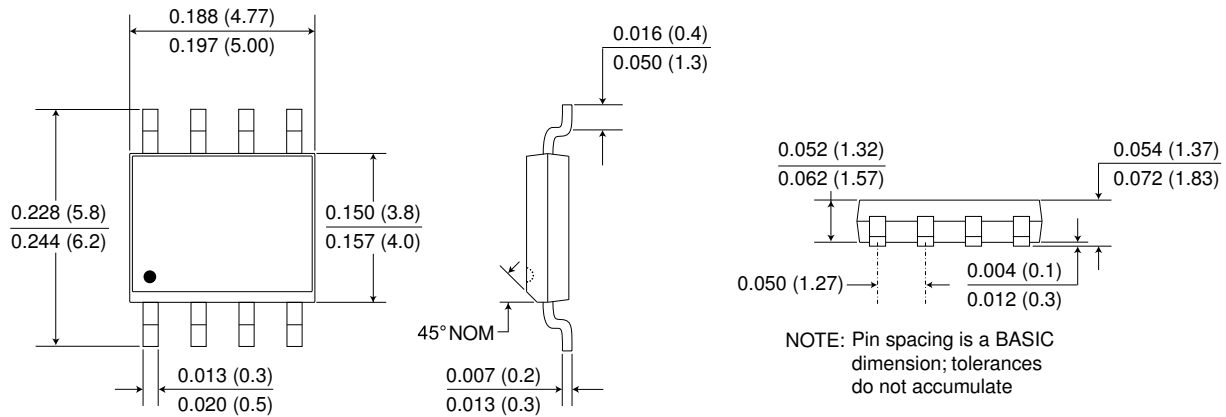
### 8-pin MSOP (-1 suffix)

Dimensions in inches (mm); scale = approx. 5X



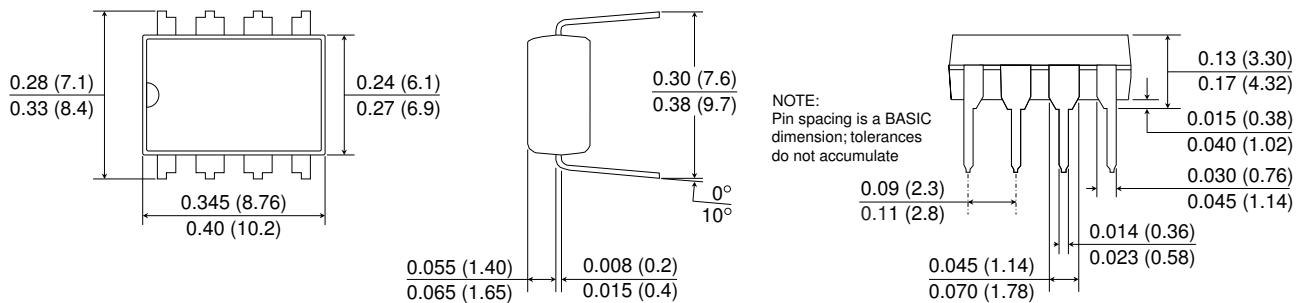
### 8-pin SOIC Package (-3 suffix)

Dimensions in inches (mm); scale = approx. 5X



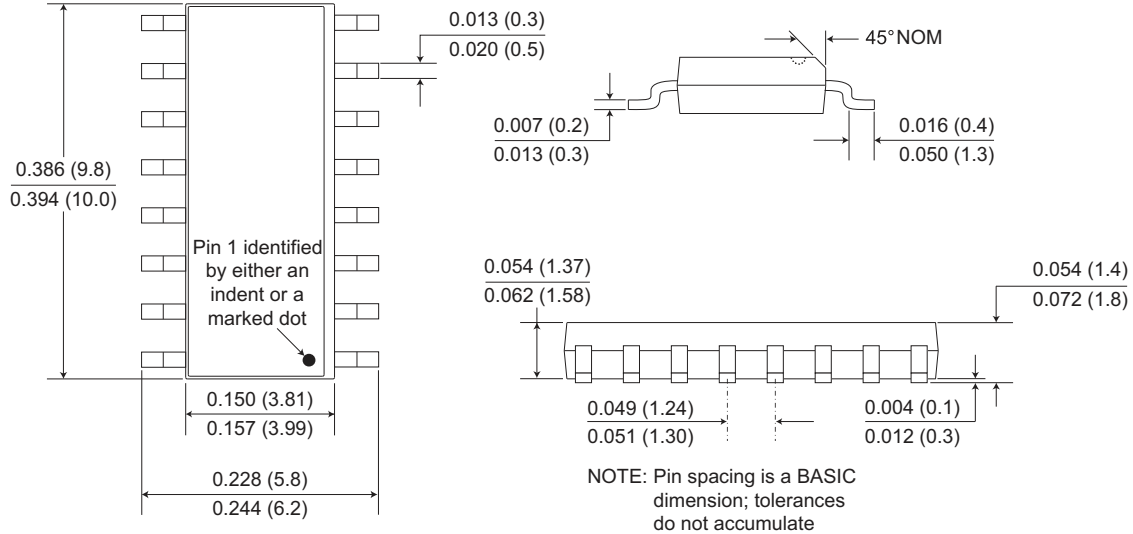
### 8-pin PDIP (-2 suffix)

Dimensions in inches (mm); scale = approx. 2.5X



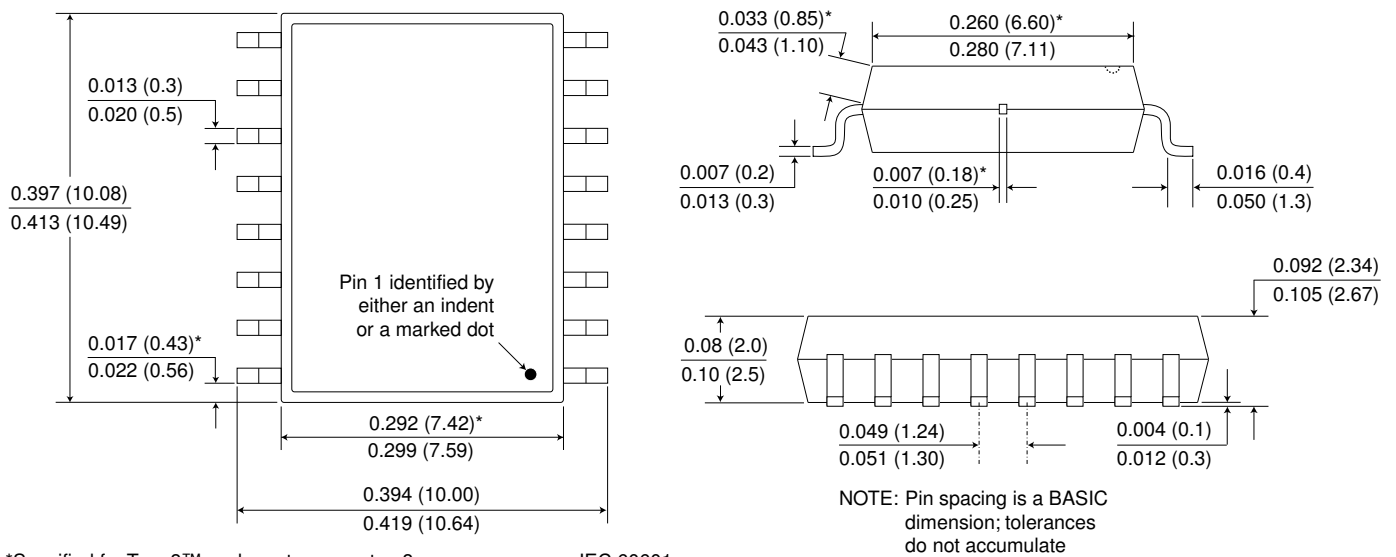
## 0.15" 16-pin SOIC Package (-3 suffix)

Dimensions in inches (mm); scale = approx. 5X



## 0.3" 16-pin SOIC Package (no suffix)

Dimensions in inches (mm); scale = approx. 5X



## Ordering Information and Valid Part Numbers

**IL 610 - 1 E TR13**

→ **Bulk Packaging**  
Blank = Tube  
TR7 = 7" Tape and Reel  
TR13 = 13" Tape and Reel

→ **Package**  
E = RoHS Compliant

→ **Package Type**  
Blank = 0.3" SOIC  
-1 = MSOP  
-2 = PDIP  
-3 = 0.15" SOIC  
-5 = Bare die

→ **Base Part Number**  
610 = Single Channel  
611 = 2 Drive Channels  
612 = 1 Drive Channel,  
1 Receive Channel  
613 = 3 Drive Channels  
614 = 2 Drive Channels,  
1 Receive Channel

→ **Product Family**  
IL = Isolators

**IL610 Valid Part Numbers**

IL610-1E  
IL610-2E  
IL610-3E  
IL610-5

**IL611 Valid Part Numbers**

IL611-1E  
IL611-2E  
IL611-3E

**IL612 Valid Part Numbers**

IL612-2E  
IL612-3E

**IL613 Valid Part Numbers**

IL613E  
IL613-3E

**IL614 Valid Part Numbers**

IL614E  
IL614-3E

All MSOP and SOIC part types are available on tape and reel.



## Revision History

**ISB-DS-001-IL600-AD**  
**October 2022**

### Changes

- Upgrade to VDE 0884-17 (p. 3).
- Increased Working Voltage ratings based on latest VDE testing (p. 3).
- Added  $V_{OE}$  logic high and low input voltage specifications (p. 6).
- Added thermal characteristics (p. 9).

**ISB-DS-001-IL600-AC**

### Changes

- Corrected 8-pin SOIC package outline dimensions.
- Changed low temperature specification for IL611-1E to  $-20^{\circ}\text{C}$ .

**ISB-DS-001-IL600-AB**

### Changes

- IEC 60747-5-5 (VDE 0884) certification.
- Upgraded from MSL 2 to MSL 1.
- Rearranged input threshold specifications so maximum is more than minimum.

**ISB-DS-001-IL600-AA**

### Changes

- Added VDE 0884 pending.
- Updated package drawings.
- Added recommended solder pad layouts.
- Clarified circuit polarities.

**ISB-DS-001-IL600-Z**

### Changes

- Detailed isolation and barrier specifications.
- Cosmetic changes.

**ISB-DS-001-IL600-Y**

### Changes

- Clarified Test Circuit 2 differential operation diagram (p.5).

**ISB-DS-001-IL600-X**

### Changes

- Separated and clarified Input Specifications.
- Added minimum/maximum coil resistance specifications.
- Merged and simplified “Operation” and “Applications” sections.

**ISB-DS-001-IL600-W**

### Changes

- Update terms and conditions.

**ISB-DS-001-IL600-V**

### Changes

- Additional changes to pin spacing specification on MSOP drawing.

**ISB-DS-001-IL600-U**

### Changes

- Changed pin spacing specification on MSOP drawing.

**ISB-DS-001-IL600-T**

### Changes

- Added typical jitter specification at 5V.

**ISB-DS-001-IL600-S**

### Changes

- P. 2—Deleted MSOP IEC61010 approval.

**ISB-DS-001-IL600-R**

### Changes

- Added EMC details.

## Datasheet Limitations

The information and data provided in datasheets shall define the specification of the product as agreed between NVE and its customer, unless NVE and customer have explicitly agreed otherwise in writing. All specifications are based on NVE test protocols. In no event however, shall an agreement be valid in which the NVE product is deemed to offer functions and qualities beyond those described in the datasheet.

## Limited Warranty and Liability

Information in this document is believed to be accurate and reliable. However, NVE does not give any representations or warranties, expressed or implied, as to the accuracy or completeness of such information and shall have no liability for the consequences of use of such information.

In no event shall NVE be liable for any indirect, incidental, punitive, special or consequential damages (including, without limitation, lost profits, lost savings, business interruption, costs related to the removal or replacement of any products or rework charges) whether or not such damages are based on tort (including negligence), warranty, breach of contract or any other legal theory.

## Right to Make Changes

NVE reserves the right to make changes to information published in this document including, without limitation, specifications and product descriptions at any time and without notice. This document supersedes and replaces all information supplied prior to its publication.

## Use in Life-Critical or Safety-Critical Applications

Unless NVE and a customer explicitly agree otherwise in writing, NVE products are not designed, authorized or warranted to be suitable for use in life support, life-critical or safety-critical devices or equipment. NVE accepts no liability for inclusion or use of NVE products in such applications and such inclusion or use is at the customer's own risk. Should the customer use NVE products for such application whether authorized by NVE or not, the customer shall indemnify and hold NVE harmless against all claims and damages.

## Applications

Applications described in this datasheet are illustrative only. NVE makes no representation or warranty that such applications will be suitable for the specified use without further testing or modification.

Customers are responsible for the design and operation of their applications and products using NVE products, and NVE accepts no liability for any assistance with applications or customer product design. It is customer's sole responsibility to determine whether the NVE product is suitable and fit for the customer's applications and products planned, as well as for the planned application and use of customer's third party customers. Customers should provide appropriate design and operating safeguards to minimize the risks associated with their applications and products.

NVE does not accept any liability related to any default, damage, costs or problem which is based on any weakness or default in the customer's applications or products, or the application or use by customer's third party customers. The customer is responsible for all necessary testing for the customer's applications and products using NVE products in order to avoid a default of the applications and the products or of the application or use by customer's third party customers. NVE accepts no liability in this respect.

## Limiting Values

Stress above one or more limiting values (as defined in the Absolute Maximum Ratings System of IEC 60134) will cause permanent damage to the device. Limiting values are stress ratings only and operation of the device at these or any other conditions above those given in the recommended operating conditions of the datasheet is not warranted. Constant or repeated exposure to limiting values will permanently and irreversibly affect the quality and reliability of the device.

## Terms and Conditions of Sale

In case an individual agreement is concluded only the terms and conditions of the respective agreement shall apply. NVE hereby expressly objects to applying the customer's general terms and conditions with regard to the purchase of NVE products by customer.

## No Offer to Sell or License

Nothing in this document may be interpreted or construed as an offer to sell products that is open for acceptance or the grant, conveyance or implication of any license under any copyrights, patents or other industrial or intellectual property rights.

## Export Control

This document as well as the items described herein may be subject to export control regulations. Export might require a prior authorization from national authorities.

## Automotive Qualified Products

Unless the datasheet expressly states that a specific NVE product is automotive qualified, the product is not suitable for automotive use. It is neither qualified nor tested in accordance with automotive testing or application requirements. NVE accepts no liability for inclusion or use of non-automotive qualified products in automotive equipment or applications.

In the event that customer uses the product for design-in and use in automotive applications to automotive specifications and standards, customer (a) shall use the product without NVE's warranty of the product for such automotive applications, use and specifications, and (b) whenever customer uses the product for automotive applications beyond NVE's specifications such use shall be solely at customer's own risk, and (c) customer fully indemnifies NVE for any liability, damages or failed product claims resulting from customer design and use of the product for automotive applications beyond NVE's standard warranty and NVE's product specifications.

An ISO 9001 Certified Company

NVE Corporation  
11409 Valley View Road  
Eden Prairie, MN 55344-3617 USA  
Telephone: (952) 829-9217

[www.nve.com](http://www.nve.com)  
e-mail: [iso-info@nve.com](mailto:iso-info@nve.com)

©NVE Corporation  
All rights are reserved. Reproduction in whole or in part is prohibited without the prior written consent of the copyright owner.

ISB-DS-001-IL600-AD

*October 2022*