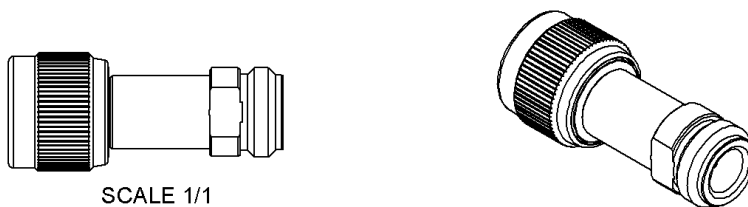
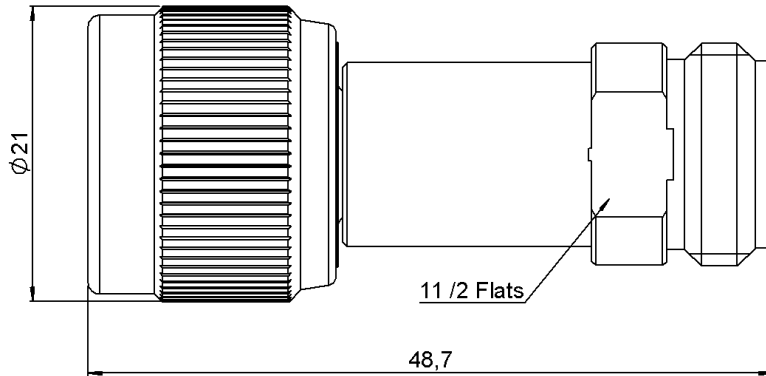


N ATTENUATOR
14 DB 2 GHZ 2W

R412.714.000

Series : ATTENUATOR



All dimensions are in mm.

| COMPONENTS | MATERIALS | PLATING(µm) |
|-----------------------|------------------|------------------------|
| BODY | BRASS | NICKEL 5 |
| MALE CENTER CONTACT | BERYLLIUM COPPER | GOLD 2.5 OVER NICKEL 1 |
| FEMALE CENTER CONTACT | BERYLLIUM COPPER | GOLD 2.5 OVER NICKEL 1 |
| OUTER CONTACT | BRASS | NICKEL 2 |
| INSULATOR | PTFE | |
| GASKET | SILICONE RUBBER | |
| SUBSTRATE | ALUMINA | |
| RESISTOR | Thin film | |
| OTHERS PARTS | | |



Issue : 0823 E

In the effort to improve our products, we reserve the right to make changes judged to be necessary.

N ATTENUATOR
14 DB 2 GHZ 2W

R412.714.000
 Series : ATTENUATOR

ELECTRICAL CHARACTERISTICS

Frequency (GHz) DC - 2
 V.S.W.R (≤) 1.15
 Deviation(±dB) 0.35

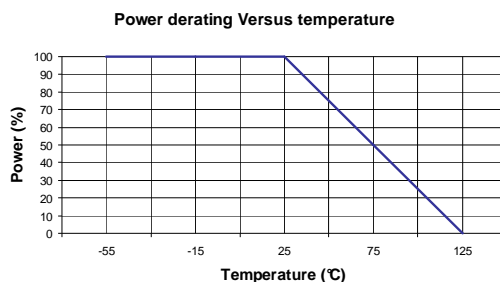
| | | |
|------------------------------|--------|-----------------------|
| Operating Frequency Range | DC - 2 | GHz |
| Impedance | 50 | Ω |
| Nominal Attenuation | 14 | dB |
| Peak power at 25°C (1μs, 1%) | 100 | W |
| Average power at 25°C | 2 | W (Free Air Cooled) |
| | | W (Conduction Cooled) |

MECHANICAL CHARACTERISTICS

| | | | |
|------------|-----------|-------------|-------------|
| Connectors | N | Male Female | MIL-C 39012 |
| Weight | 59,9700 g | | |

ENVIRONMENTAL CHARACTERISTICS

| | |
|-----------------------------|--------------|
| Operating temperature range | -55 /+125 °C |
| Storage temperature range | -55 /+125 °C |



SPECIFICATION

OTHER CHARACTERISTICS

Issue : 0823 E

In the effort to improve our products, we reserve the right to make changes judged to be necessary.

