

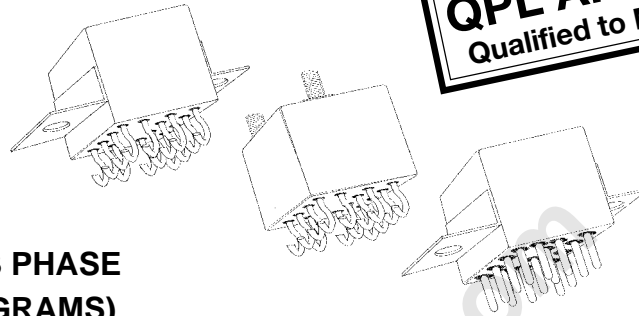


FCB-405

Tyco Electronics Mid-Range Military/Aerospace Relays

5 AMPERES, 4PDT

- HERMETICALLY SEALED
- ALL WELDED CONSTRUCTION
- BALANCED FORCE
- PERMANENT MAGNET DRIVE
- CONTACTS RATED LOW LEVEL TO 5 AMPS
- 28 VDC AND 115/200 VAC 400 Hz 3 PHASE
- WEIGHT .93 OUNCES MAX. (26.4 GRAMS)



The Series FCB-405 relay is a polarized single-side stable design, where the flux from a permanent magnet provides the armature holding force in the deactivated state, and its flux path is switched and combined with the coil flux in the operated state. This results in appreciably increased contact pressure in both states over that of a spring return nonpolar design. We also manufacture other versions of this relay:

- FCB-205:** 5 AMP DPDT RELAY
- FCB-310:** 10 AMP 3PDT RELAY

CONTACT RATING-AMPERES

Ratings Are Continuous Duty

TYPE OF LOAD	LIFE (MIN.) CYCLES X 10 ³	28 VDC	115VAC 400HZ	115/200VAC 400Hz-3Ø
Resistive	100	5	5	5
Inductive	20	3	5	5
Motor	100	2	3	3
Lamp	100	1	1	1

Low Level Switching Capability: With contacts operating a load of 10 to 50 microamperes at 10 to 50 millivolts, the contact resistance miss detection level shall be 100 ohms max. Cycling rate is 1 to 12 per second, for 100,000 operations.

OVERLOAD CURRENT 20 AMPS DC, 30 AMPS 400HZ
RUPTURE CURRENT 25 AMPS DC, 40 AMPS 400HZ
CONTACT MAKE BOUNCE 1.0 MILLISECOND AT NOMINAL VOLTAGE
MAX. CONTACT DROP AT 5 AMPS: INITIAL 0.100 VOLTS.
END OF LIFE 0.125 VOLTS



Tyco Electronics Mid-Range Military/Aerospace Relays

5 AMPERES, 4PDT

COIL DATA

COIL CODE	NOMINAL VOLTAGES	FREQ. HZ	DC RES. (B)	OVER TEMPERATURE RANGE		
				PICKUP OR BELOW VOLTS	DROPOUT OR ABOVE VOLTS	MUST HOLD VOLTAGE (C)
1	6	DC	25 Ω	4.5	0.3	2.5
2	12	DC	100 Ω	9.0	0.75	4.5
3	28	DC	400 Ω	18.0	1.5	7.0
4 (A)	28	DC	400 Ω	18.0	1.5	7.0
5	48	DC	1275 Ω	36.0	2.5	14.0

- A. CODE 4 COILS HAVE BACK EMF SUPPRESSION TO 42 VOLTS MAX. D. MAX. OVER-VOLTAGE: 6 & 12 VDC COILS 120% OF NOMINAL; ALL OTHERS 110% OF NOMINAL.
- B. DC COIL RESISTANCE ± 10% AT 25°C;
- C. RELAY WILL STAY IN PICKED-UP STATE DOWN TO MUST HOLD VOLTAGES SHOWN. NOTE: Only DC Coil Models are QPL Approved.

GENERAL SPECIFICATIONS

TEMPERATURE RATING:	-70°C TO + 125°C	
ALTITUDE:	300,000 FEET	
SHOCK:*	Z, & Y ENCLOSURES	200 g FOR 6 mS
	W, X & M ENCLOSURES	100 g FOR 6 mS
	T ENCLOSURE (IN TRACK)	50 g FOR 11 mS
VIBRATION, SINUSOIDAL:*	Z, & Y ENCLOSURES	30 g 70-3000Hz
	W, X & M ENCLOSURES	20 g 70-3000Hz
	T ENCLOSURE (IN TRACK)	20 g 500-3000 Hz
VIBRATION, RANDOM: *	Z, & Y ENCLOSURES	0.4 g ² /Hz 50-2000Hz
	T, W, X & M ENCLOSURES	0.2 g ² /Hz 50-2000Hz
DIELECTRIC STRENGTH AT SEA LEVEL:	ALL CIRCUITS TO GROUND AND CIRCUIT TO CIRCUIT.	1000 V rms
	COIL TO GROUND	1000 V rms
DIELECTRIC STRENGTH AT 80,000 FEET:		250 V rms
INSULATION RESISTANCE:	INITIAL (500 VDC)	100 MΩ MINIMUM
	AFTER LIFE OR ENVIRONMENTAL TESTS	50 MΩ MINIMUM
OPERATE TIME AT NOMINAL VOLTAGE:		6 ms OR LESS
RELEASE TIME AT NOMINAL VOLTAGE:		6 ms OR LESS

* Max. contact opening under vibration or shock 10 microseconds



FCB-405

Tyco Electronics Mid-Range Military/Aerospace Relays

5 AMPERES, 4PDT

Below are shown the standard terminal types and the enclosures available. Specify the assembly as indicated under How To Order. Dimensions are shown in inches $\pm .010$ and (Millimeters $\pm .25$).

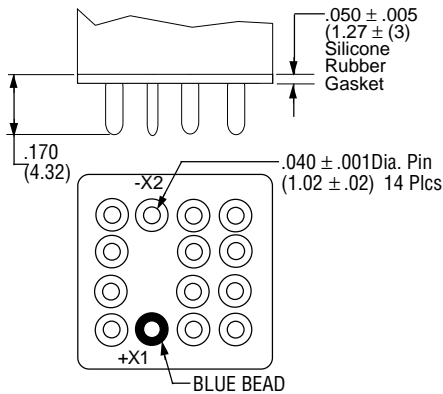
TERMINALS

CODE

"A"

Socket Pins - All DC Coils

PIN TERMINALS ARE GOLD PLATED

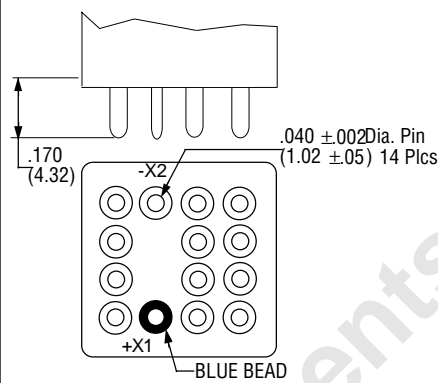


CODE

"B"

Solder Pin Terminals

PIN TERMINALS TIN/LEAD PLATED

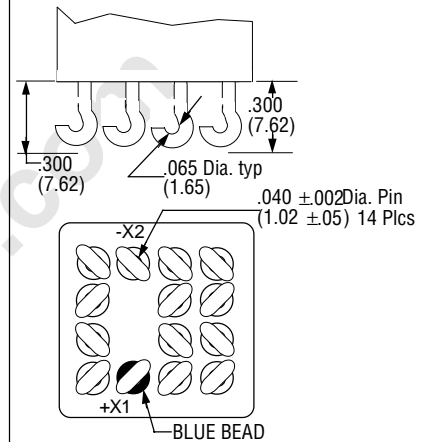


CODE

"C"

Solder Hook Terminals

HOOK TERMINALS TIN/LEAD PLATED

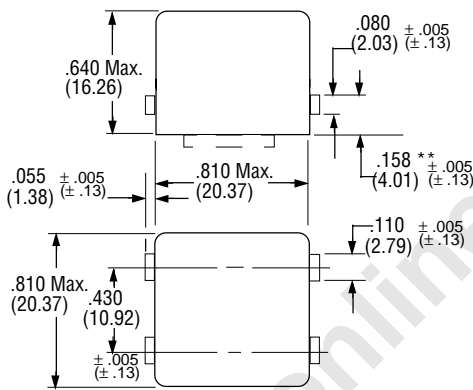


CODE

"T"

M83536/6-025

(REFERENCE ONLY)



** Measured from surface of header

ENCLOSURES

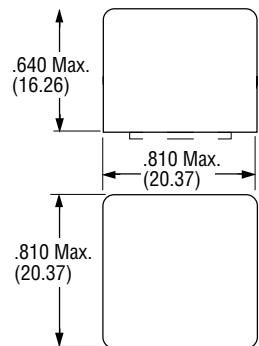
All Enclosures have cupro-Nickel cans bright acid tin/lead plated after assembly to terminal headers.

Dimensions: Inches $\pm .010$ (mm $\pm .25$)

Code "T" used only with track-mounted Sockets. Requires code "A" pin terminals. Gasket is included in the socket assembly.

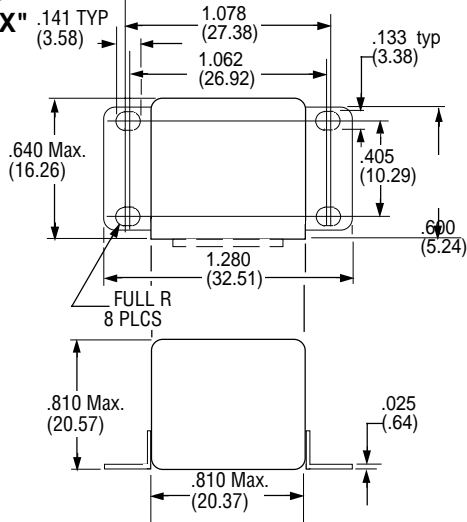
CODE

"Z"



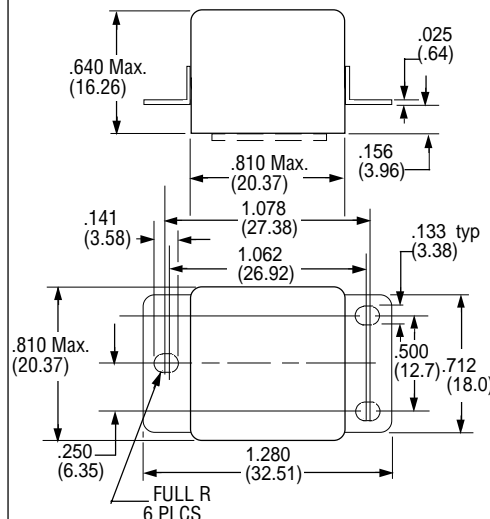
CODE

"X"



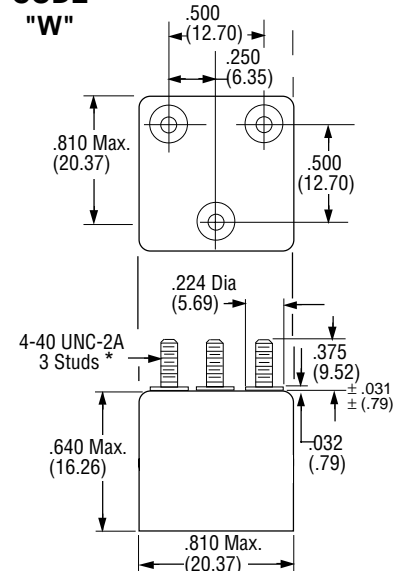
CODE

"Y"



CODE

"W"



*Metric threads available, To specify use [M] in place of [W]

FCB-405

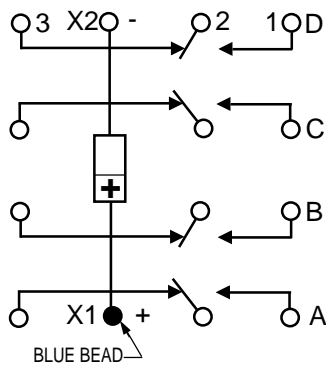


Tyco Electronics Mid-Range Military/Aerospace Relays

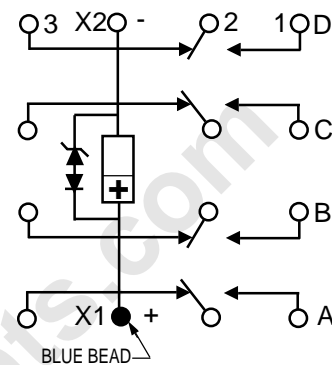
5 AMPERES, 4PDT

TERMINAL WIRING

DC COILS



DC COILS WITH TRANSIENT SUPPRESSION

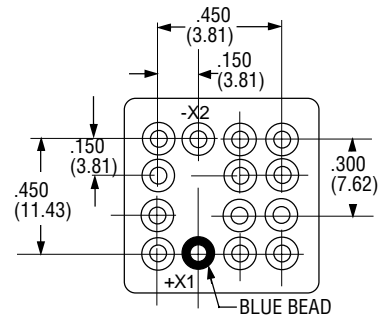


NOTE: Polarity must be observed with DC coil supply. Relay is polarized with a permanent magnet and will not operate or be damaged by reverse polarity.

Diodes used in transient suppression and in AC rectifier circuits have peak inverse voltage rating of 600 VDC minimum. Zener diodes have a minimum rating of 1 watt.

Terminal designations are for reference only and do not appear on the header.

TERMINAL LAYOUT



HOW TO ORDER

(EXAMPLE) _____ **FCB-405-A Y 4**

RELAY TYPE _____

TERMINALS (Socket Pins) _____

ENCLOSURE (With Flanges) _____

COIL (28 VDC With Transient Suppression). _____

NOTE: Only DC coil models are QPL Approved