



Main

| | |
|------------------------------|--|
| Range of Product | OsiSense XC |
| Series name | Special format |
| Product or Component Type | Limit switch |
| Product Specific Application | For severe applications |
| Device short name | XC2J |
| Body type | Fixed |
| Head type | Rotary head |
| Material | Metal |
| Movement of operating head | Rotary |
| Type of operator | Square rod lever steel square rod 3 mm, L = 125 mm |
| Switch actuation | By any moving part |
| Type of approach | Lateral approach, 2 directions |
| Number of poles | 1 |
| Contact operation | Snap action |
| Minimum torque for tripping | 1.77 lbf.in (0.2 N.m) |
| Maximum actuation speed | 4.92 ft/s (1.5 m/s) |

Complementary

| | |
|-------------------------------------|--|
| Fixing Mode | By the body |
| Electrical connection | Screw-clamp terminals 1 x 0.5...2 x 2.5 mm ² |
| Cable entry | 1 entry incorporating cable gland 0.24...0.53 in (6...13.5 mm) |
| Contacts insulation form | Za |
| Contacts material | Silver plated contacts |
| Positive opening | Without |
| Minimum actuation speed | 0.001 m/min |
| Contact code designation | A300, AC-15 (U _e = 240 V), I _e = 3 A 10 A EN/IEC 60947-5-1 Q300, DC-13 (U _e = 250 V), I _e = 0.27 A EN/IEC 60947-5-1 |
| [Ui] rated insulation voltage | 500 VIEC 60947-5-1 500 VNF C 20-040 group C 300 VCSA C22.2 No 14 |
| Maximum resistance across terminals | 25 MOhm IEC 60255-7 category 3 25 MOhm NF C 93-050 method A |
| Short-circuit protection | 10 A cartridge fuse gG |
| Electrical durability | 5000000 Cycles, DC-13, 120 V, 4 W 3600 cyc/h 0.5 IEC 60947-5-1 appendix C 5000000 Cycles, DC-13, 24 V, 10 W 3600 cyc/h 0.5 IEC 60947-5-1 appendix C 5000000 cycles, DC-13, 48 V, 7 W 3600 cyc/h 0.5 IEC 60947-5-1 appendix C |
| Mechanical durability | 30000000 cycles |
| Width | 1.57 in (40 mm) |
| Height | 5.55 in (141 mm) |
| Depth | 2.56 in (65 mm) |
| Net Weight | 1.33 lb(US) (0.605 kg) |
| Terminals description ISO n°1 | (13-14-11-12)OF |

The information provided in this documentation contains general descriptions and/or technical characteristics of the performance of the products contained herein. This documentation is not intended as a substitute for and is not to be used for determining suitability or reliability of these products for specific user applications. It is the duty of any such user or integrator to perform the appropriate and complete risk analysis, evaluation and testing of the products with respect to the relevant specific application or use thereof. Neither Schneider Electric Industries SAS nor any of its affiliates or subsidiaries shall be responsible or liable for misuse of the information contained herein.

Environment

| | |
|---------------------------------------|--|
| Shock resistance | 25 gn 18 ms IEC 60068-2-27 |
| Vibration resistance | 10 gn 10...500 Hz)IEC 60068-2-6 |
| IP degree of protection | IP65 conforming to IEC 60529 IP657 conforming to NF C 20-010 |
| IK degree of protection | IK08 |
| Electrical shock protection class | Class I IEC 60536 Class I NF C 20-030 |
| Ambient Air Temperature for Operation | -13...158 °F (-25...70 °C) |
| Ambient Air Temperature for Storage | -40...158 °F (-40...70 °C) |
| Protective treatment | TC |
| Product Certifications | DEMKO NEMKO CSA |
| Standards | VDE 0660-200 UL 508 IEC 60337-1 CSA C22.2 No 14 EN/IEC 60947-5-1 |

Ordering and shipping details

| | |
|-----------------------|----------------------------------|
| Category | 22449-LIMIT SWITCHES,ACCESSORIES |
| Discount Schedule | T |
| GTIN | 3389110327823 |
| Nbr. of units in pkg. | 1 |
| Package weight(Lbs) | 22.26 oz (631.0 g) |
| Returnability | No |
| Country of origin | FR |

Packing Units

| | |
|------------------------------|-------------------------|
| Unit Type of Package 1 | PCE |
| Package 1 Height | 1.81 in (4.6 cm) |
| Package 1 width | 2.83 in (7.2 cm) |
| Package 1 Length | 5.71 in (14.5 cm) |
| Unit Type of Package 2 | S01 |
| Number of Units in Package 2 | 7 |
| Package 2 Weight | 10.24 lb(US) (4.646 kg) |
| Package 2 Height | 5.91 in (15 cm) |
| Package 2 width | 5.91 in (15 cm) |
| Package 2 Length | 15.75 in (40 cm) |

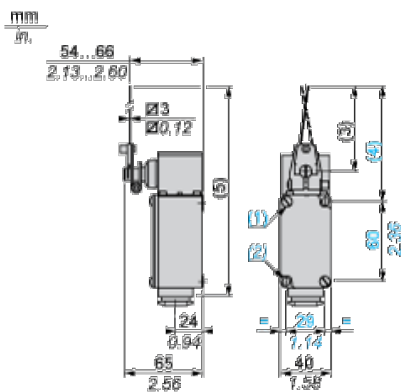
Offer Sustainability

| | |
|----------------------------|---|
| Sustainable offer status | Green Premium product |
| California proposition 65 | WARNING: This product can expose you to chemicals including: Diisononyl phthalate (DINP), which is known to the State of California to cause cancer, and Di-isodecyl phthalate (DIDP), which is known to the State of California to cause birth defects or other reproductive harm. For more information go to www.P65Warnings.ca.gov |
| REACH Regulation | REACH Declaration |
| EU RoHS Directive | Pro-active compliance (Product out of EU RoHS legal scope) EU RoHS Declaration |
| Mercury free | Yes |
| RoHS exemption information | Yes |
| Environmental Disclosure | Product Environmental Profile |

Contractual warranty

| | |
|----------|-----------|
| Warranty | 18 months |
|----------|-----------|

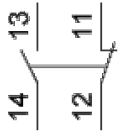
Dimensions



- (1) Fixing from the rear: by 2 M5 screws. Depth of thread on switch: 10 mm.
- (2) Fixing from the front via 2 holes Ø 5.5.
- (3) 125 max.
- (4) 148 max.
- (5) 222 max.

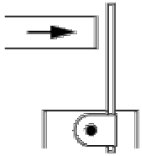
Wiring Diagram

Single-pole CO Snap Action

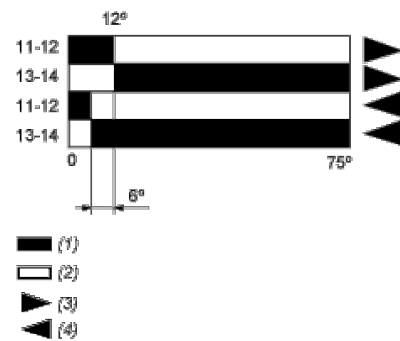


Characteristics of Actuation

Switch Actuation by Any Moving Part



Functionnal Diagram



- (1) Closed
- (2) Open
- (3) Tripping
- (4) Resetting