

## SUMMARY

### # Wires

Low voltage 8



*Image is for illustrative purpose only*

Series 1P  
Termination type Female solder  
IP rating 64 mated (mating interface)  
AWG wire size 32.00 - 24.00  
Cable Ø 0.00 - 0.00 mm  
Status active

### Download

[Request a quote](#)

[Catalog](#)

## TECHNICAL DETAILS

### Mechanics

Shell Style/Model PN\*: Fixed receptacle, nut fixing, watertight  
Keying 1 key (alpha=0; Plug: male contact; Receptacle: female contact)  
Housing Material PEI (Polyetherimide), gray  
Variant A : Blue front nut  
Weight 5.51 g

### Performance

Configuration 1P.M08 : 8 Low Voltage  
Insulator L: PEEK (UL 94 / V-0/1.5)  
Rated Current 5 Amps

### Specifications

Contact Type: Solder  
Contact Dia.: 0.7 mm (0.0275in)  
Bucket Dia.: 0.6 mm (0.024in)  
Max. Solid Conductor: 0.14 mm<sup>2</sup> (AWG 26)  
Max. Stranded Conductor: 0.14 mm<sup>2</sup> (AWG 26)  
R (max): 6.5 mOhm  
Test voltage (kV rms) Contact-contact: 1.05

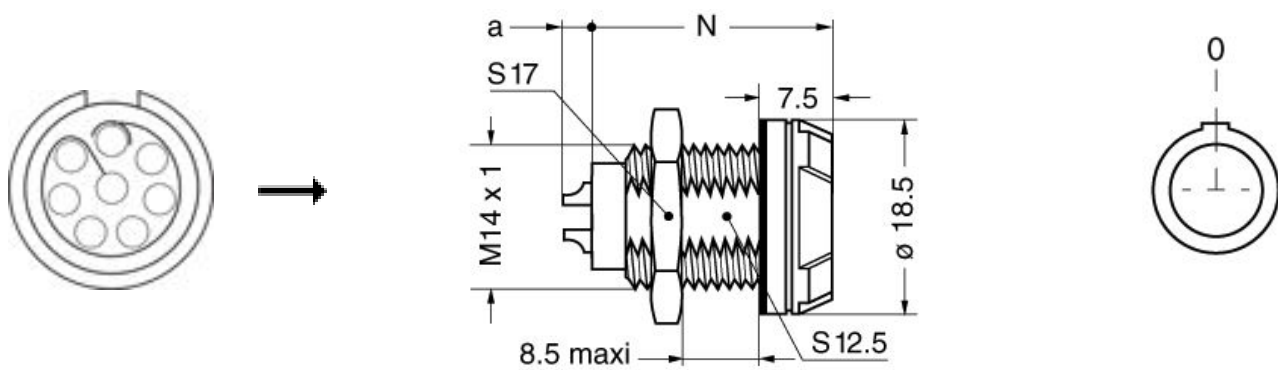
*LEMO products and services are provided "as is". LEMO makes no warranties or representations with regard to LEMO product & services or use of them, express, implied or statutory, including for accuracy, completeness, or security. The user is fully responsible for his products and applications using LEMO components.*

Air clearance min.: 0.6 mm  
Creepage distance min.: 0.6 mm

## Others

Endurance (Shell): >2000 mating cycles  
Temp (min / max): -50°C / +170°C  
F ret (min): 50 N  
F ret (max): 150 N  
Steam sterilization: > 100 times (with potting on rear connection)

## DRAWINGS



## Dimensions

	N	a
mm.	23.3	2.5-4.5
in.	0,92	0,10

## RECOMMENDED BY LEMO

## Tools

LEMO products and services are provided "as is". LEMO makes no warranties or representations with regard to LEMO product & services or use of them, express, implied or statutory, including for accuracy, completeness, or security. The user is fully responsible for his products and applications using LEMO components.

*LEMO products and services are provided "as is". LEMO makes no warranties or representations with regard to LEMO product & services or use of them, express, implied or statutory, including for accuracy, completeness, or security. The user is fully responsible for his products and applications using LEMO components.*