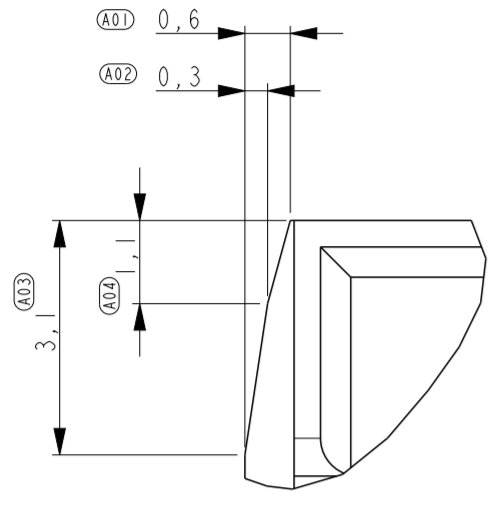
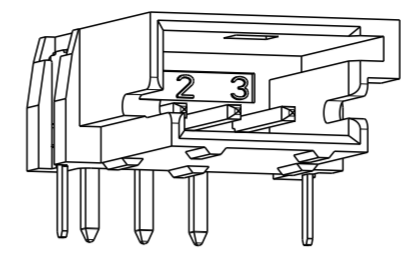
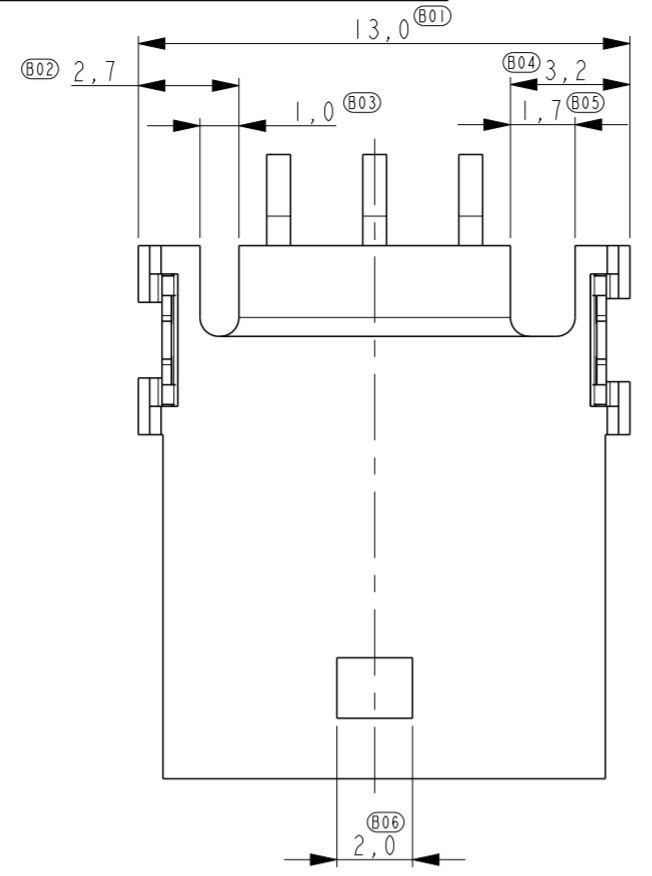


THIS DRAWING IS UNPUBLISHED. RELEASED FOR PUBLICATION
 © COPYRIGHT - ALL RIGHTS RESERVED.

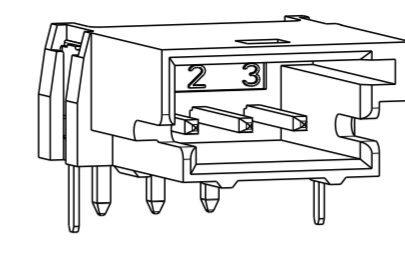
LOC		DIST		REVISIONS			
P	LTR	DESCRIPTION	DATE	DWN	APVD		
	IR	-					
	F1	ECR-13-001688	29JAN2013	GG	RRP		



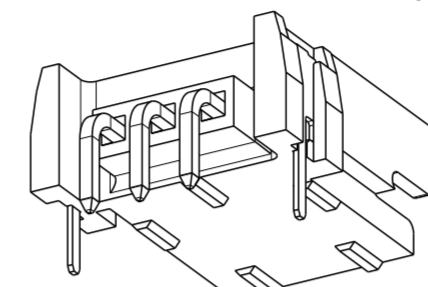
DETAIL Z
SCALE 10:1



SCALE 3:1



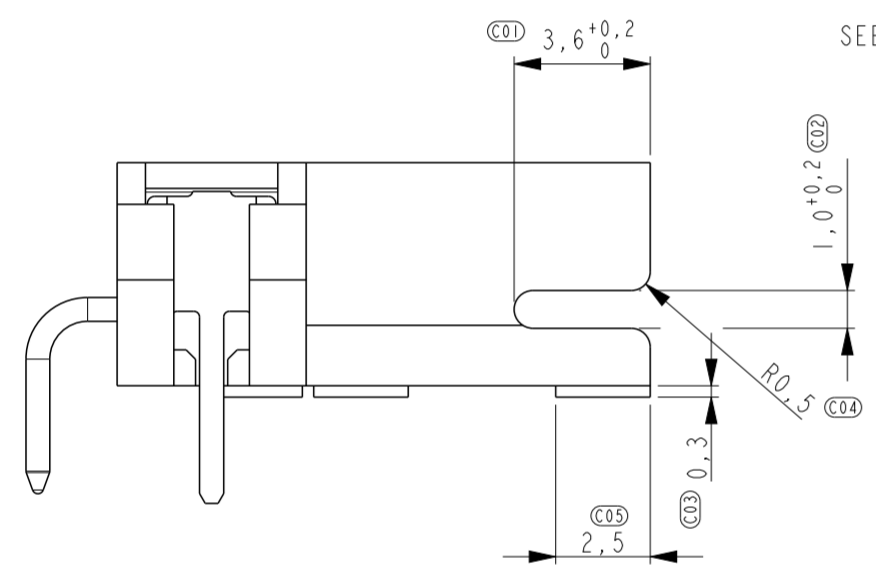
SCALE 3:1



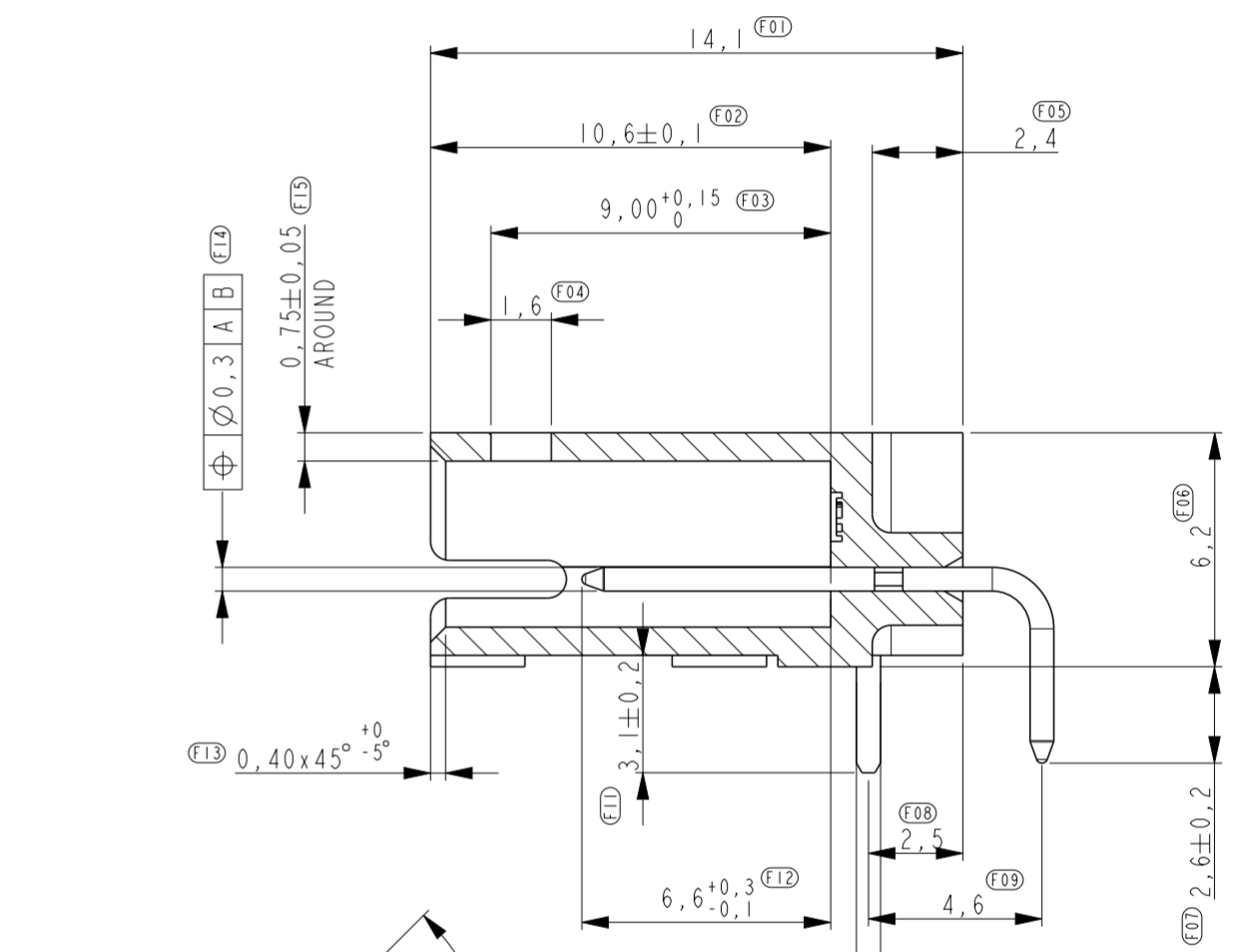
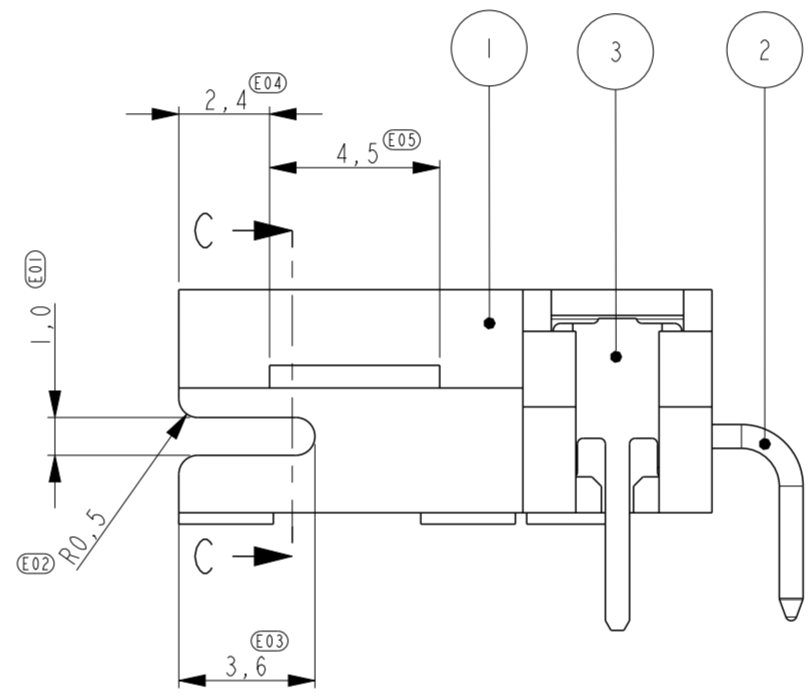
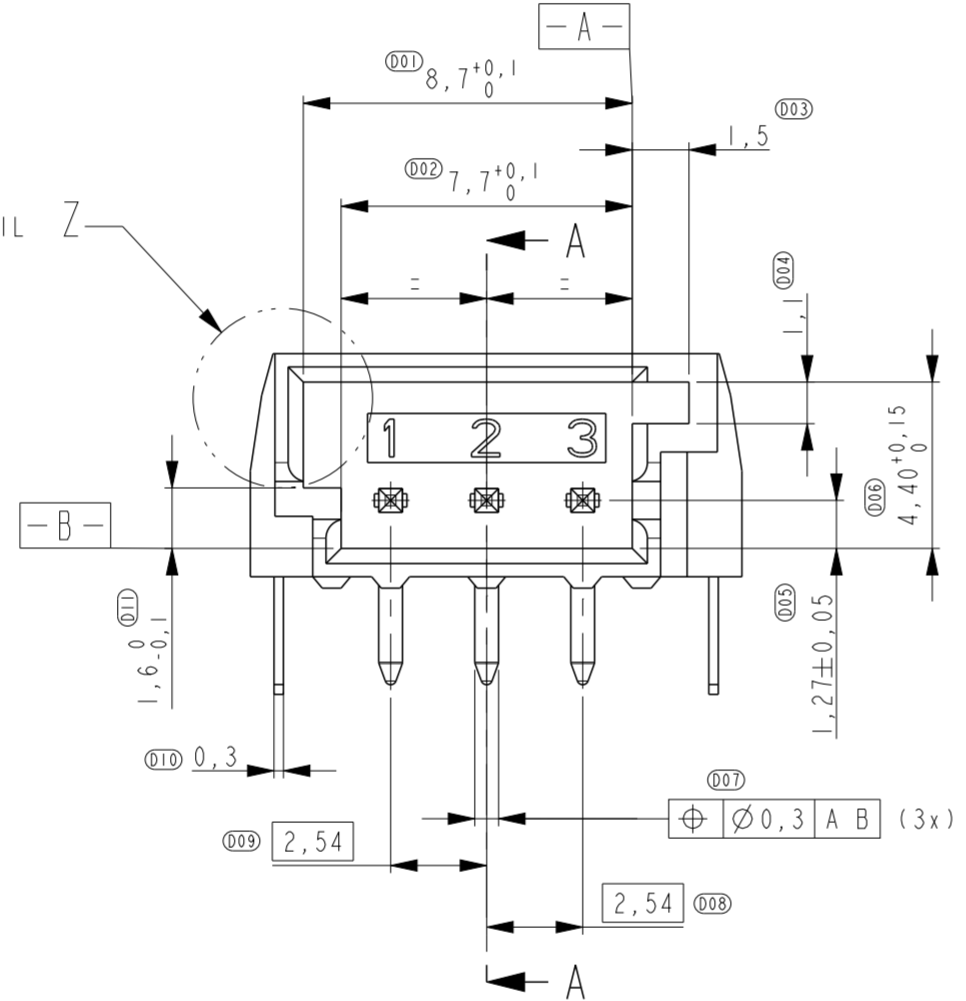
SCALE 3:1

NOTE:

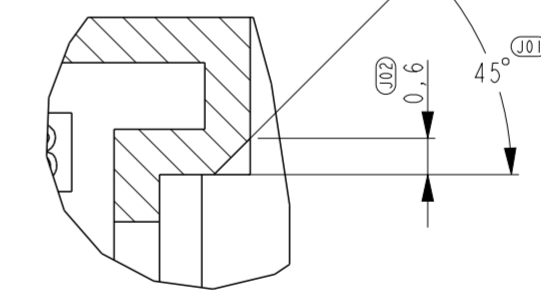
- ALL RADII R0,2 EXCEPT AS NOTED.
- PACKING:
 1857192-1 - TRAY PACKED
 1857192-2 - TAPE AND REEL PACKAGING ACCORDING TO EIA-481.



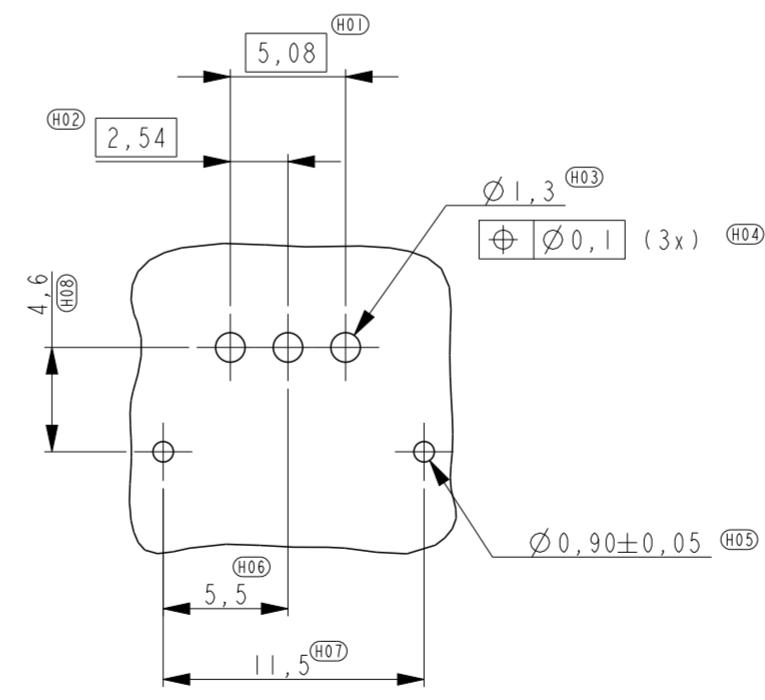
SEE DETAIL Z



SECTION A-A

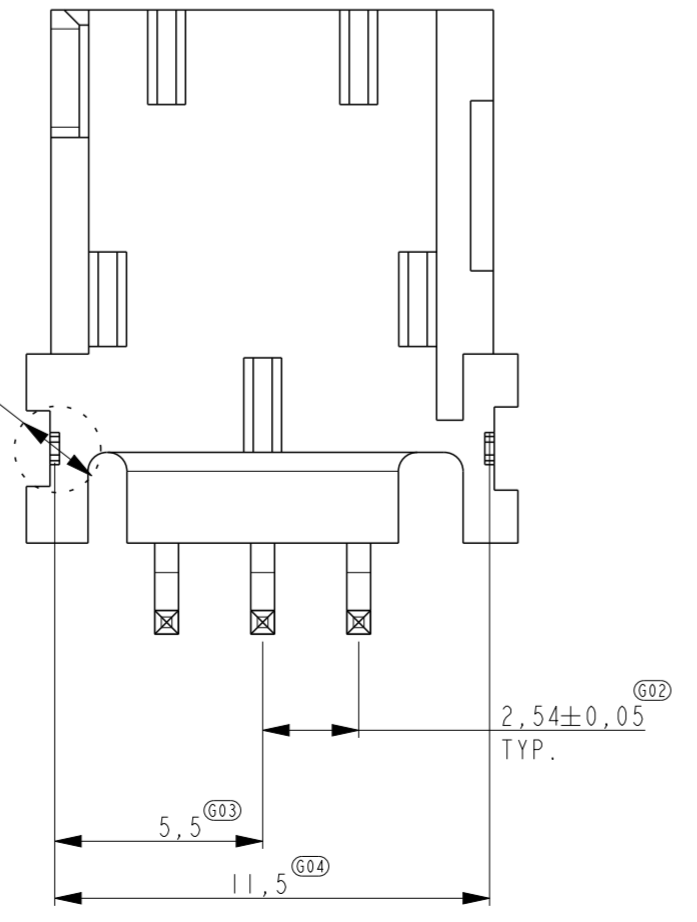


SECTION C-C
SCALE 8:1



PCB LAYOUT
SCALE 3:1

MAX. Ø 2,3
ZONE FOR SOLDER FILLED.



1857192-1 AS SHOWN.

FINISH	MATERIAL	DESCRIPTION	FG PART NUMBER
Tin and Nickel	CuZn	BOARDLOCK	1857192-2
Tin and Nickel	CuFe2p	CONTACT	
-	LCP GF 30%	HOUSING	1857192-1
Tin and Nickel	CuZn	BOARDLOCK	
Tin and Nickel	CuFe2p	CONTACT	
-	PA 4.6 30% GF	HOUSING	

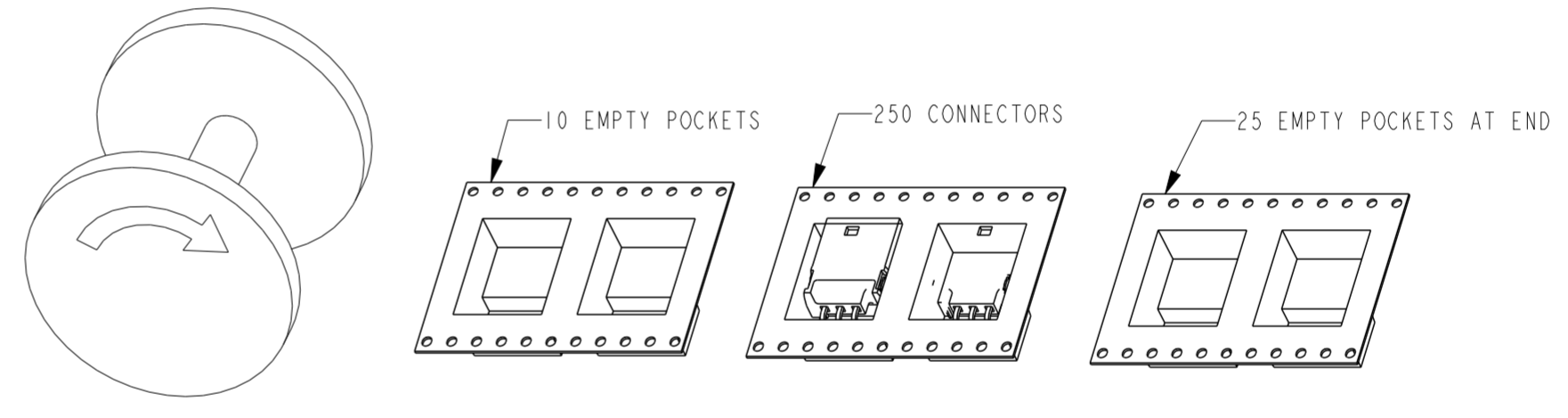
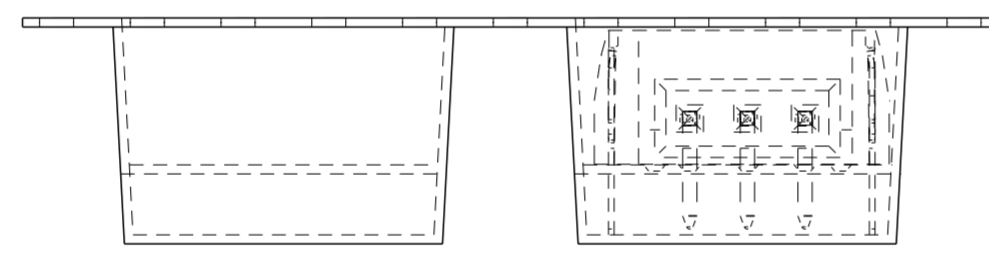
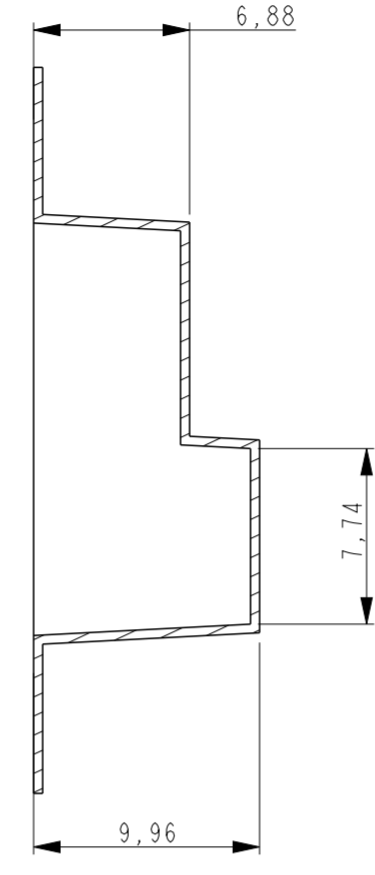
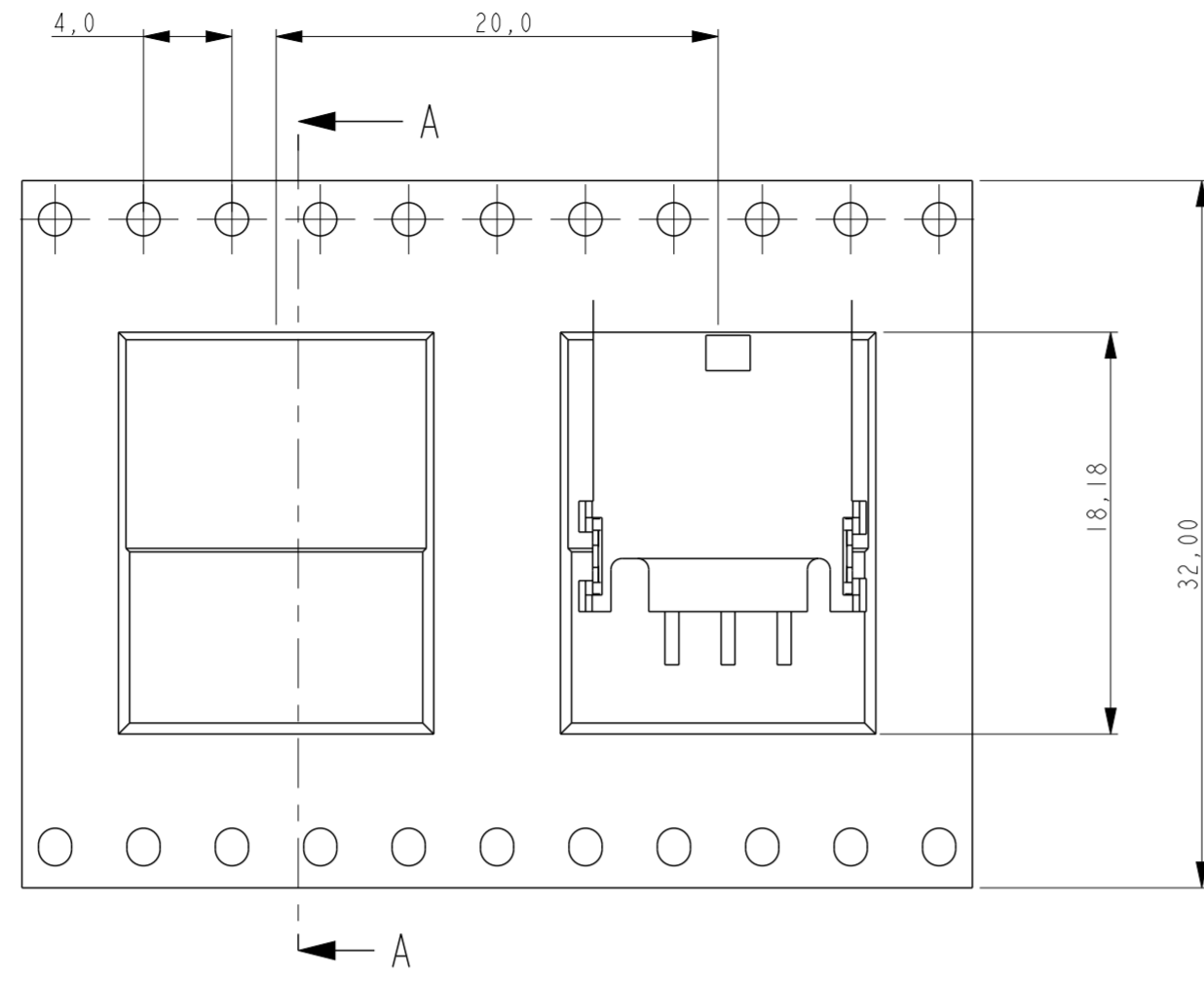
THIS DRAWING IS A CONTROLLED DOCUMENT.		DWN	06 JUL 05
DIMENSIONS: mm		CHK	J.V.D. HEIJDEN
TOLERANCES UNLESS OTHERWISE SPECIFIED:		APVD	06 JUL 05
0 PLC	±	APVD	J. BROEKSTEEG
1 PLC	±0,1	PRODUCT SPEC	
2 PLC	±0,05	APPLICATION SPEC	
3 PLC	±	WEIGHT	
4 PLC	±	CUSTOMER DRAWING	
ANGLES	±		
FINISH			

DWN		06 JUL 05	
CHK		J.V.D. HEIJDEN	
APVD		06 JUL 05	
APVD		J. BROEKSTEEG	
NAME		PIN HEADER	
NAME		3 POSITION	
NAME		TYPE D	
SIZE	CAGE CODE	DRAWING NO	RESTRICTED TO
A2	00779	C-1857192	-
SCALE	5:1	SHEET	1 OF 2
REV	F2		




THIS DRAWING IS UNPUBLISHED. RELEASED FOR PUBLICATION
 © COPYRIGHT - ALL RIGHTS RESERVED.

LOC		DIST		REVISIONS			
P	LTR	DESCRIPTION	DATE	DWN	APVD		
-	-	SEE SHEET 1	-	-	-		



1857192-2 AS SHOWN.

THIS DRAWING IS A CONTROLLED DOCUMENT.		DWN J.V.D. HEIJDEN 06 JUL 05	 TE Connectivity	
DIMENSIONS: mm		CHK D.CAMPSCHROER 06 JUL 05		
TOLERANCES UNLESS OTHERWISE SPECIFIED:		APVD J.BROEKSTEEG 06 JUL 05	PRODUCT SPEC -	SIZE A2
0 PLC ± 1 PLC ±0,1 2 PLC ±0,05 3 PLC ± 4 PLC ±		APPLICATION SPEC -	CAGE CODE 00779	DRAWING NO 1857192
MATERIAL -		WEIGHT -	RESTRICTED TO	SCALE 5:1
FINISH		CUSTOMER DRAWING	SHEET 2	OF 2
			REV F2	