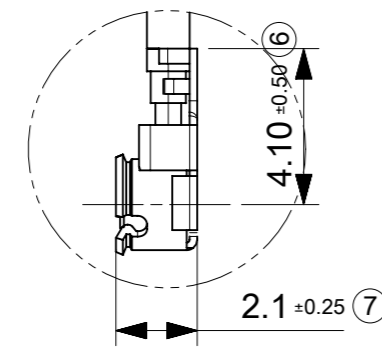
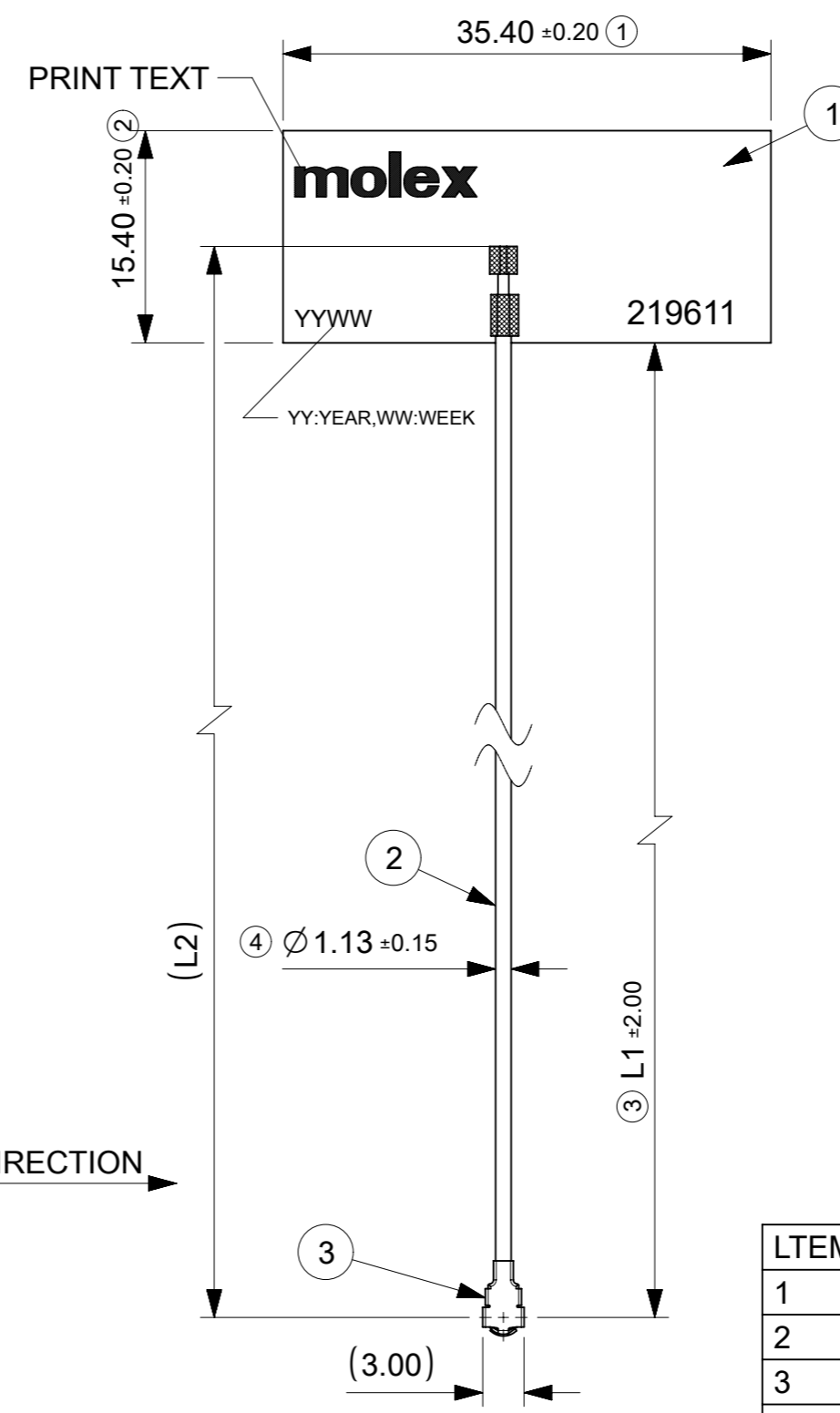
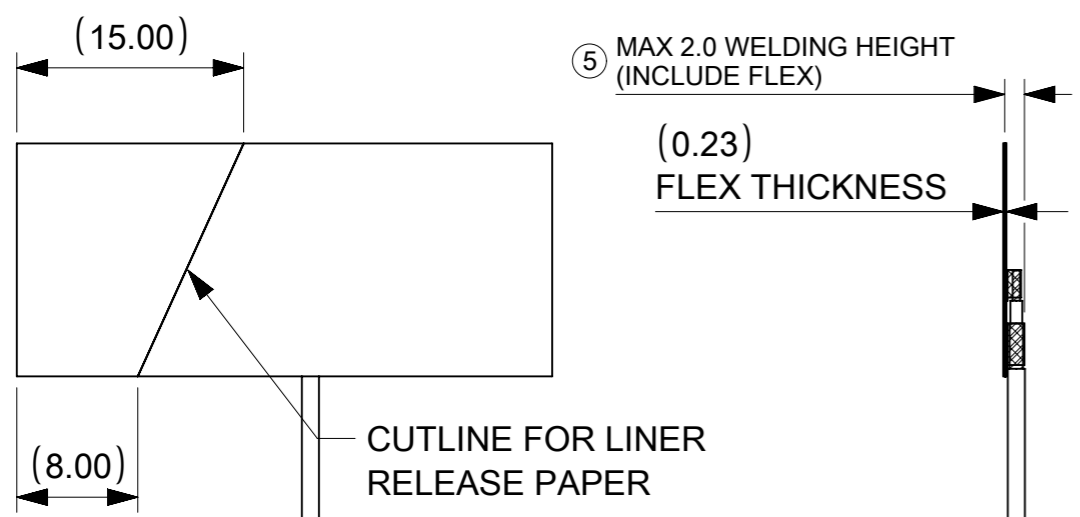


REV	DATE	DESCRIPTION
A	2021/12/15	FIRST RELEASE
A1	2022/08/02	UPDATE NOTES



LTEM	DESCRIPTION
1	FPC
2	CABLE
3	CONNECTOR

LTEM	MATERIAL P/N	"L1"LENGTH	"L2"LENGTH
1	2196110050	43	50
2	2196110100	93	100
3	2196110150	143	150
4	2196110200	193	200
5	2196110250	243	250
6	2196110300	293	300

- NOTES:
- MATERIAL:
CONNECTOR:RF 2.5H MHF-1 CONNECTOR(GOLD PLATED).
FLEX SOLDER MASK:BLACK.
CABLE COLOR:BLACK.
ADHESIVE:3M9077(T:50UM)
 - FOR PULL TEST, CAN NOT LIFT UP IN THE VERTICAL DIRECTION.
 - THE CONNECTOR WILL BE PROTECTED WITH A CAP.

THIS DRAWING CONTAINS INFORMATION THAT IS PROPRIETARY TO MOLEX ELECTRONIC TECHNOLOGIES, LLC AND SHOULD NOT BE USED WITHOUT WRITTEN PERMISSION

DIMENSION UNITS: mm	SCALE: 1:1	CURRENT REV DESC:		molex		
GENERAL TOLERANCES (UNLESS SPECIFIED)		EC NO: 716377				
ANGULAR TOL ± 2.0 °	4 PLACES ±	DRWN: KCHENG06	2022/08/02	PRODUCT CUSTOMER DRAWING		
3 PLACES ± 0.2	3 PLACES ± 0.25	CHK'D: HORACM1	2022/08/03	DOCUMENT NUMBER		
2 PLACES ± 0.25	1 PLACE ± 0.3	APPR: HORACM1	2022/08/03	2196110100		DOC TYPE
1 PLACE ± 0.3	0 PLACES ± 0.5	INITIAL REVISION:		000	DOC PART	REVISION
DRAFT WHERE APPLICABLE MUST REMAIN WITHIN DIMENSIONS		DRWN: KCHENG06	2021/12/15	A1		
THIRD ANGLE PROJECTION		APPR: HORACM1	2021/12/27	SERIES		SHEET NUMBER
A3-SIZE		219611		MATERIAL NUMBER		CUSTOMER
		SEE TABLE		GENERAL MARKET		1 OF 1