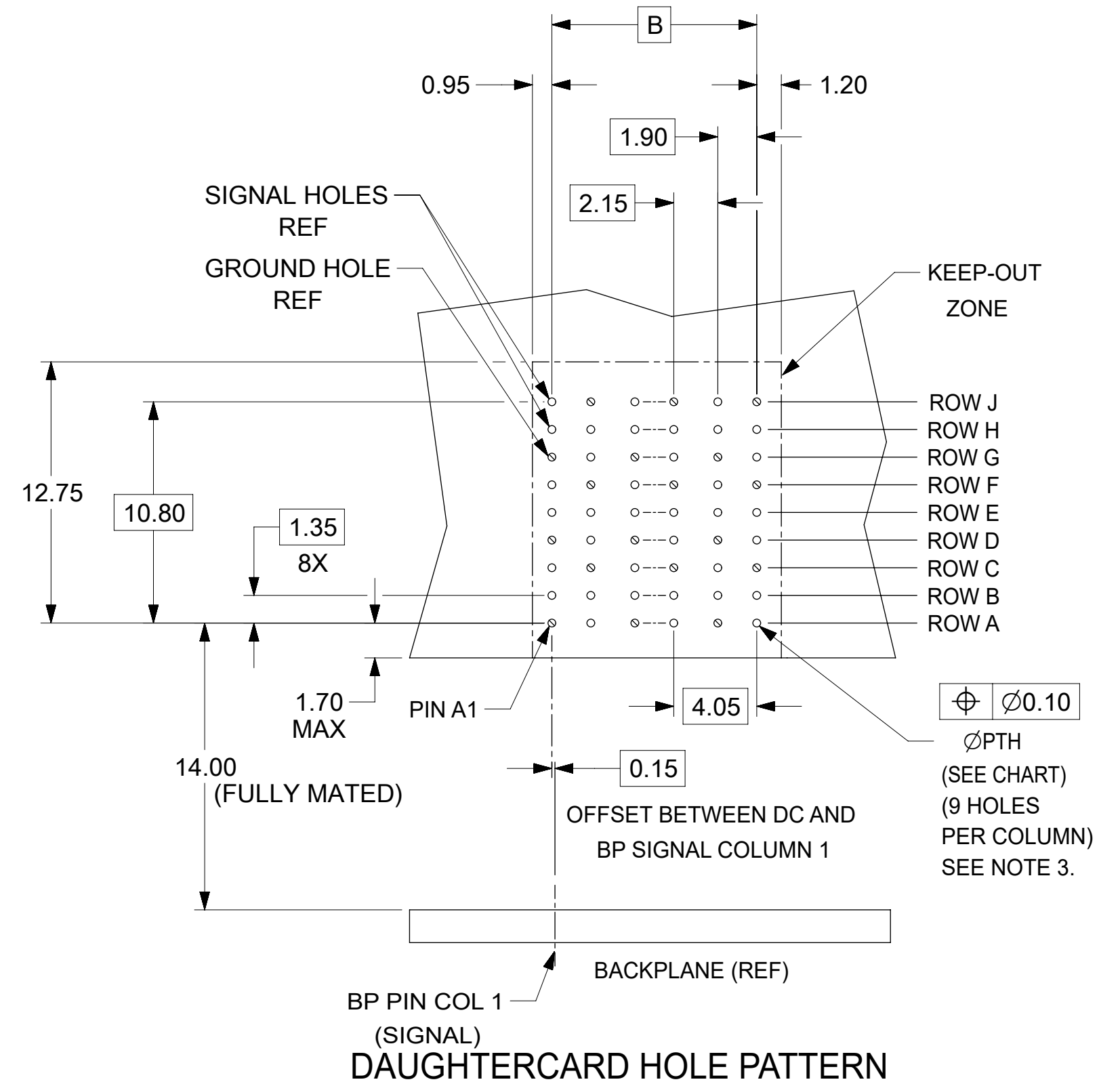
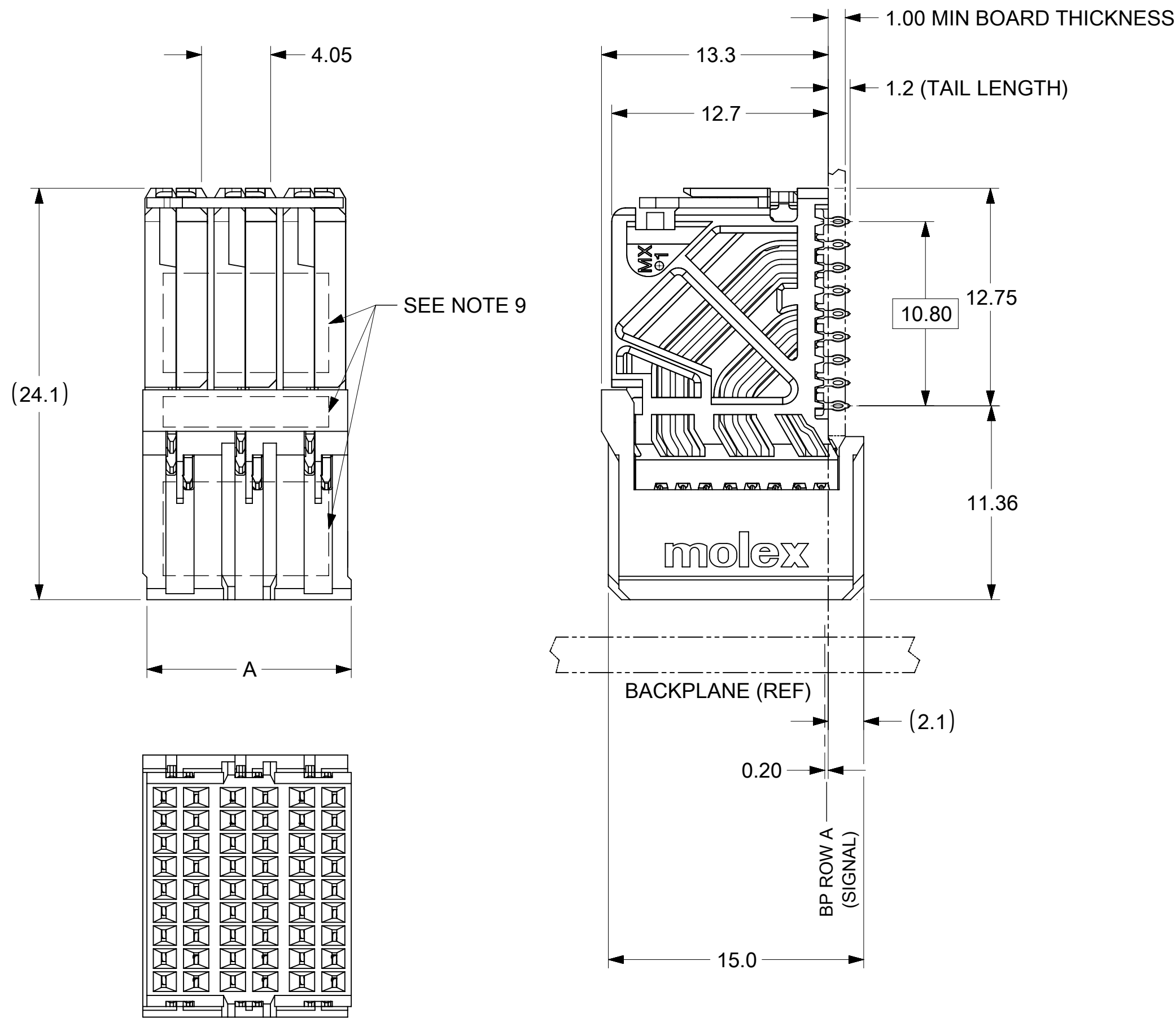
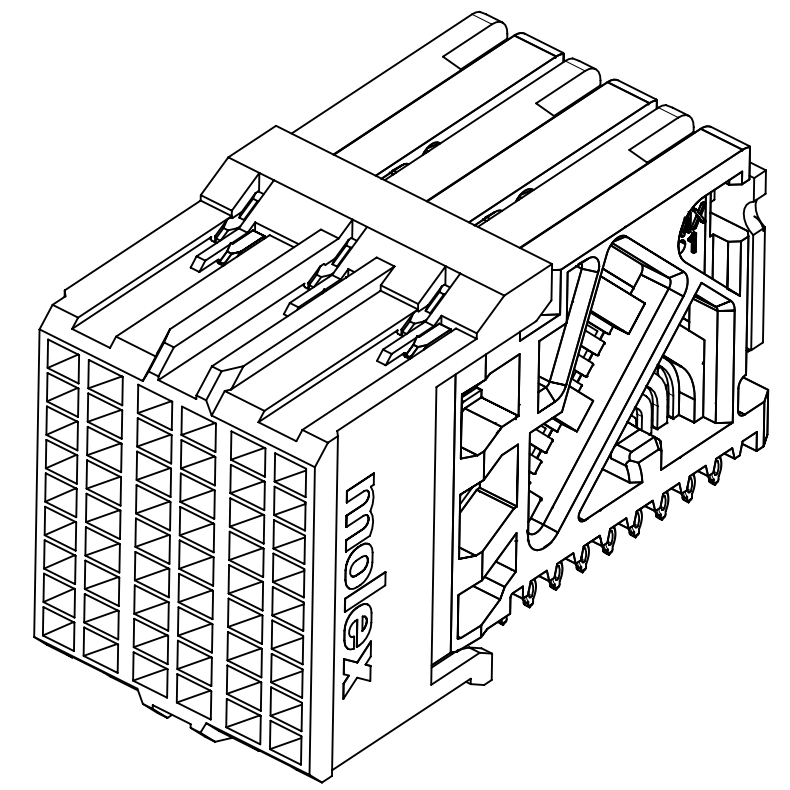


MATERIAL NUMBER	# OF COLUMNS	# OF DIFF PAIR	DIM "A" MAX	DIM "B"	PTH $\phi$
76860-1006	6	18	12.15	10.00	0.46 $\pm$ 0.05
76860-1036	6	18	12.15	10.00	0.39 $\pm$ 0.05
76860-1008	8	24	16.20	14.05	0.46 $\pm$ 0.05
76860-1038	8	24	16.20	14.05	0.39 $\pm$ 0.05

76860-\*0\*\*

MODULE & TAIL PLATING TYPE  
1 = UNGUIDED, LEAD-FREE

# OF COLUMNS  
06 = 6 COL 0.46 PTH  
36 = 6 COL 0.39 PTH  
08 = 8 COL 0.46 PTH  
38 = 8 COL 0.39 PTH



NOTES:

1. MATERIALS: HOUSING - LIQUID CRYSTAL POLYMER (LCP), GLASS-FILLED, UL94V-0  
TERMINALS - HIGH PERFORMANCE COPPER ALLOY
2. FINISH: 30 $\mu$ IN MIN GOLD IN CONTACT AREA. SELECTIVE TIN ON PCB TAILS. NICKEL OVERALL.
3. REFER TO MOLEX PRODUCT SPEC PS-76060-999 FOR PERFORMANCE SPECIFICATIONS AND ADDITIONAL PCB INFORMATION.
4. EACH SIGNAL WAFER CONTAINS 2 COLUMNS OF TERMINALS.
5. PRODUCT IS PACKAGED PER PK-70873-591.
6. THIS PART CONFORMS TO CLASS B REQUIREMENTS OF COSMETIC SPEC PS-45499-002.
7. REFER TO MOLEX SALES DRAWING SD-76855-001 FOR THE MATING HEADERS.
8. REFER TO MOLEX ROUTING GUIDE AS-76850-990 FOR ADDITIONAL PCB LAYOUT AND ROUTING RECOMMENDATIONS.
9. MARKING: LOCATED APPROXIMATELY AS SHOWN. PART NUMBER AND DATE CODE.

THIS DRAWING CONTAINS INFORMATION THAT IS PROPRIETARY TO MOLEX ELECTRONIC TECHNOLOGIES, LLC AND SHOULD NOT BE USED WITHOUT WRITTEN PERMISSION											
DIMENSION UNITS		SCALE		CURRENT REV DESC: REMASTERED TO NX							
mm		NTS									
GENERAL TOLERANCES (UNLESS SPECIFIED)				EC NO: 705090 DRWN: YOGEEB CHK'D: DYARAS APPR: LZENG 2021/12/02 2022/01/31 2022/05/13							
ANGULAR TOL $\pm$ 0.5°				INITIAL REVISION: DRWN: JLAURX APPR: JBINGHAM 2010/01/11 2010/01/14							
4 PLACES $\pm$				PRODUCT CUSTOMER DRAWING				DOCUMENT NUMBER			
3 PLACES $\pm$				SD-76860-001				DOC TYPE DOC PART REVISION			
2 PLACES $\pm$ 0.15				GENERAL MARKET				PSD 001 A3			
1 PLACE $\pm$ 0.25				MATERIAL NUMBER				SEE TABLE			
0 PLACES $\pm$				CUSTOMER				GENERAL MARKET			
DRAFT WHERE APPLICABLE MUST REMAIN WITHIN DIMENSIONS				THIRD ANGLE PROJECTION		DRAWING		SERIES		SHEET NUMBER	
						C-SIZE		76860		1 OF 1	