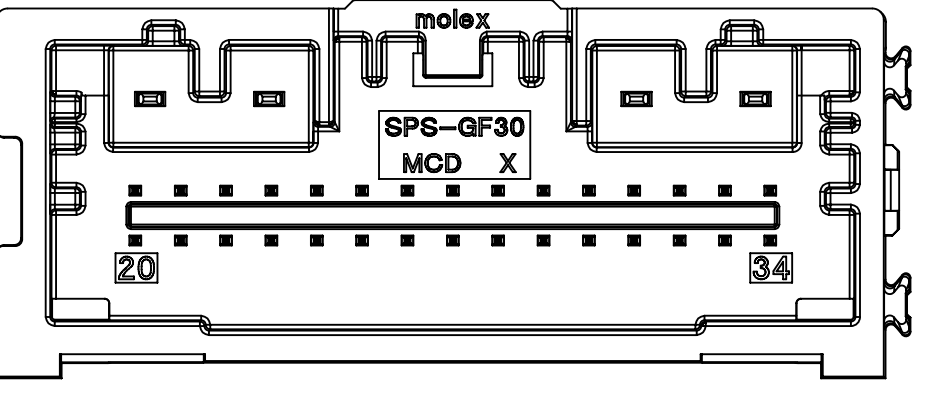
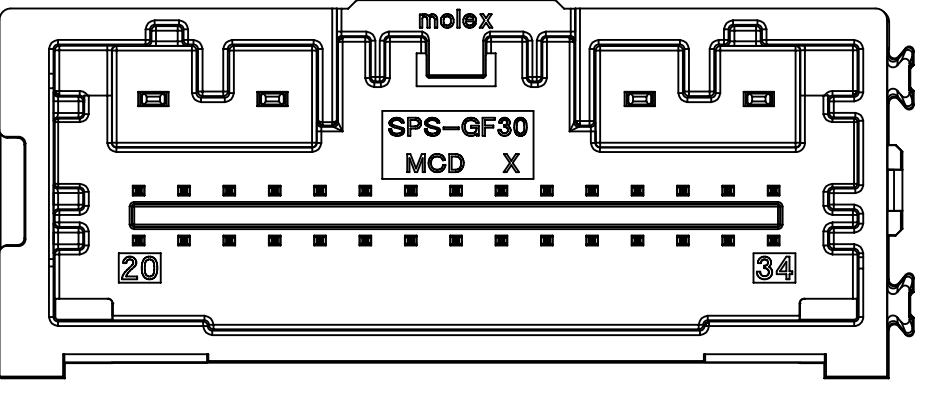


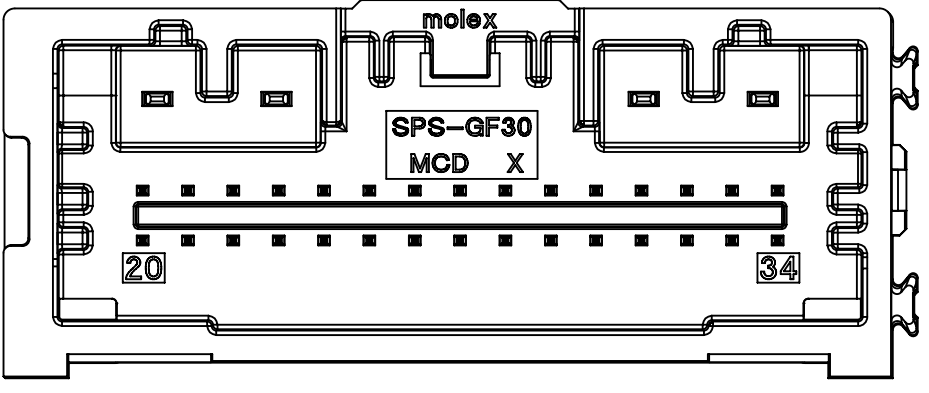
TABLE OF CONTENTS	
SHEET NO.	SHEET DESCRIPTION
2	34&38CKT POLARIZATION OPTION VIEW, HB/V0 HEADER DIFFERENCE VIEW



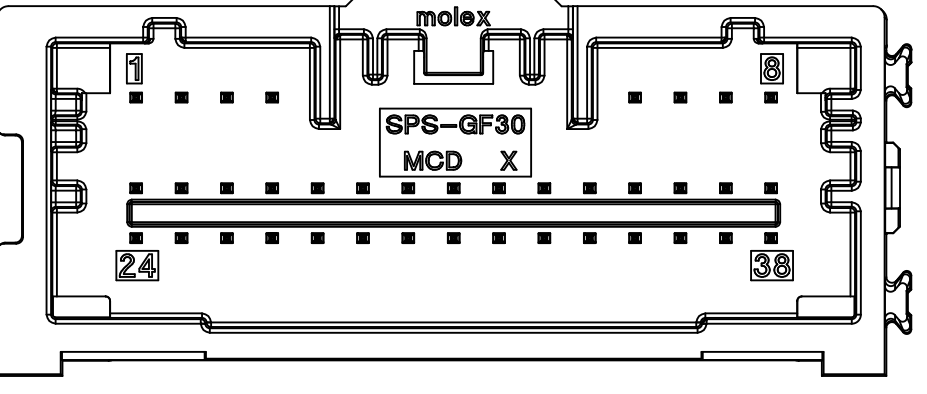
34CKT POLARIZATION OPTION 'A'



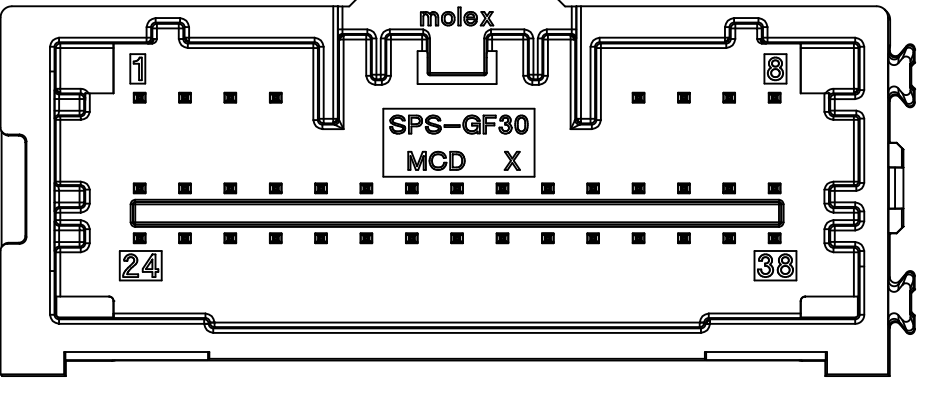
34CKT POLARIZATION OPTION 'B'



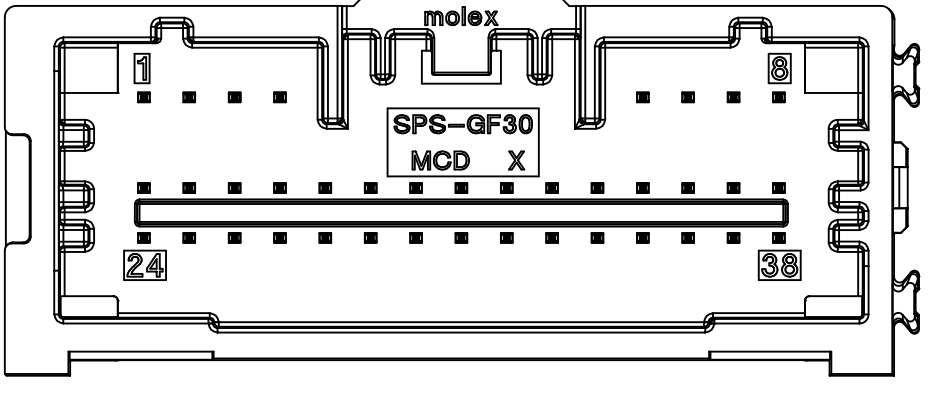
34CKT POLARIZATION OPTION 'C'



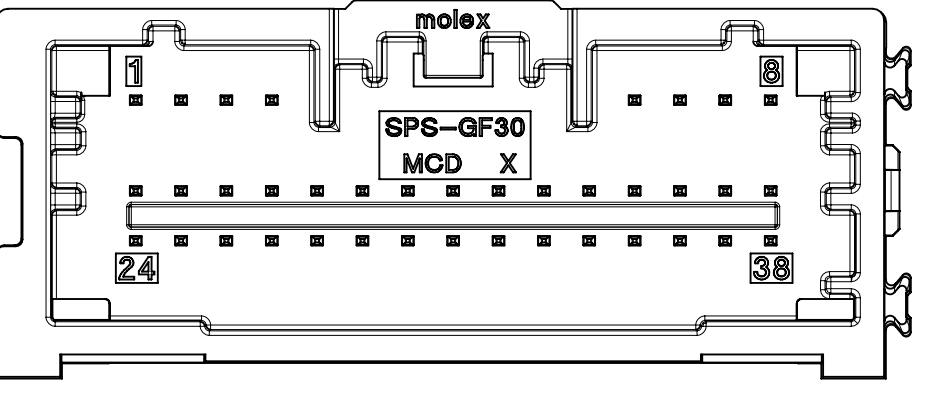
38CKT POLARIZATION OPTION 'A'



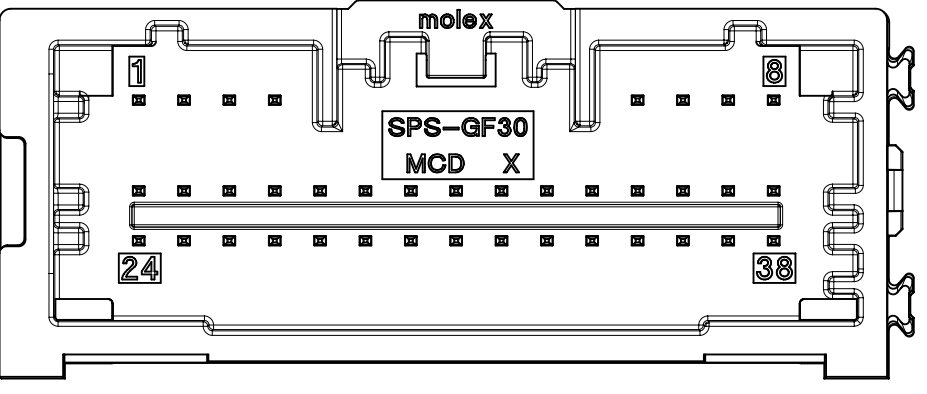
38CKT POLARIZATION OPTION 'B'



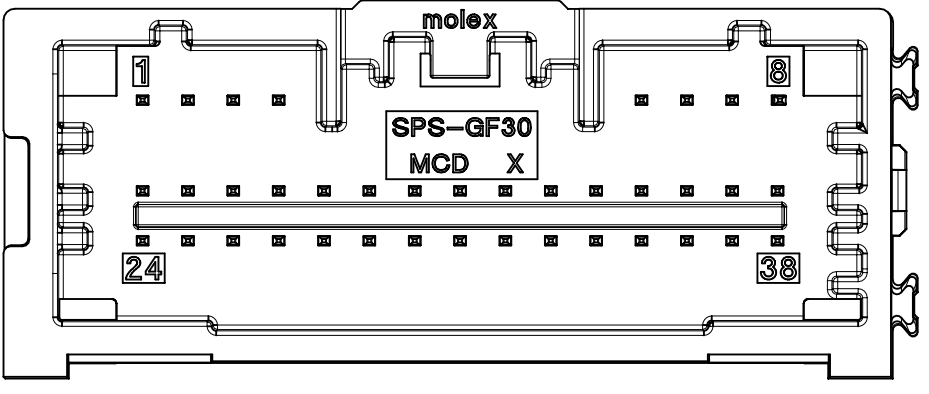
38CKT POLARIZATION OPTION 'C'



38CKT POLARIZATION OPTION 'UPDATED A'

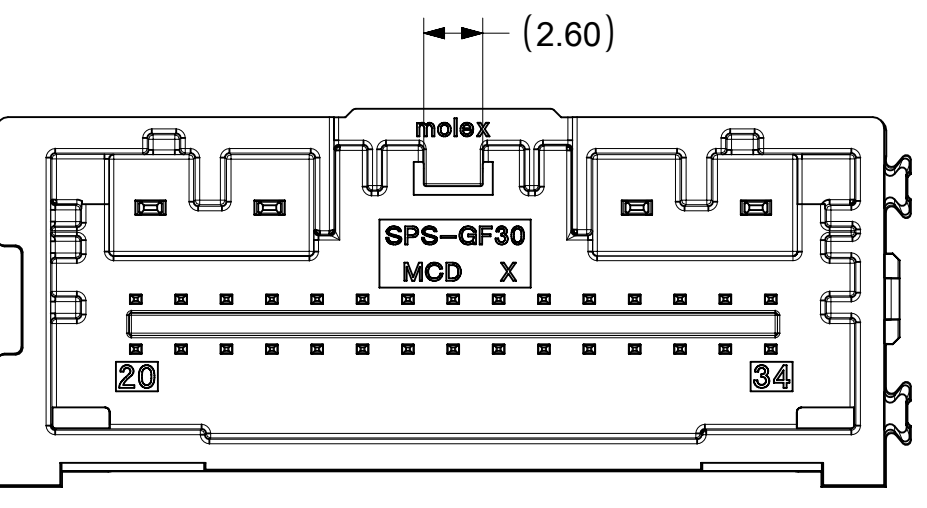


38CKT POLARIZATION OPTION 'UPDATED B'

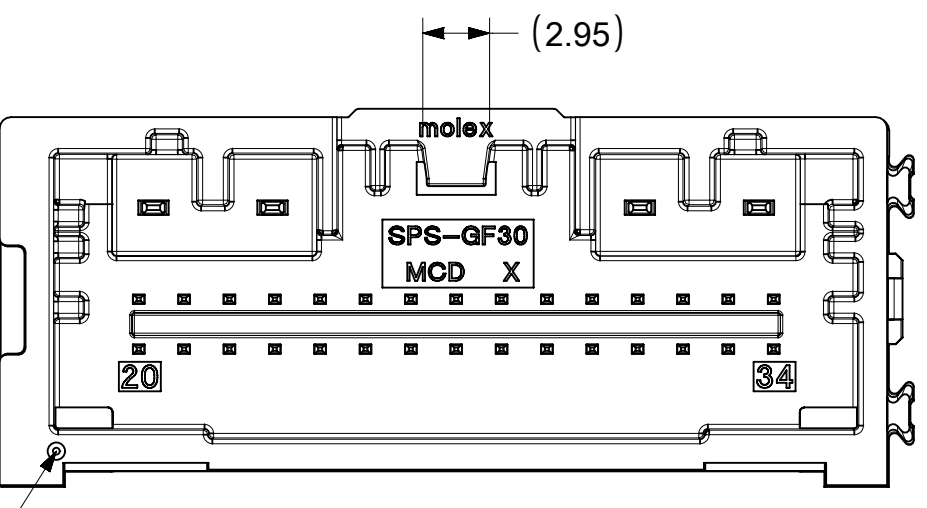


38CKT POLARIZATION OPTION 'UPDATED C'

HB / V0 VERSION DIFFERENCE



HB P/Ns: 34958XXXX
APPLIES TO ALL CKT SIZES, USE 34CKT AS SHOWN

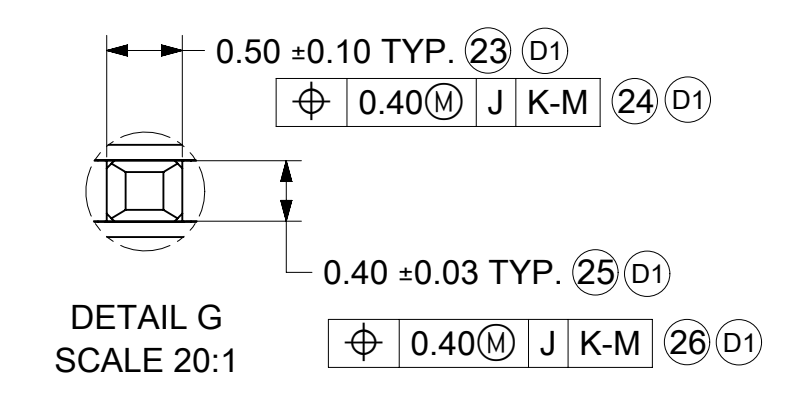
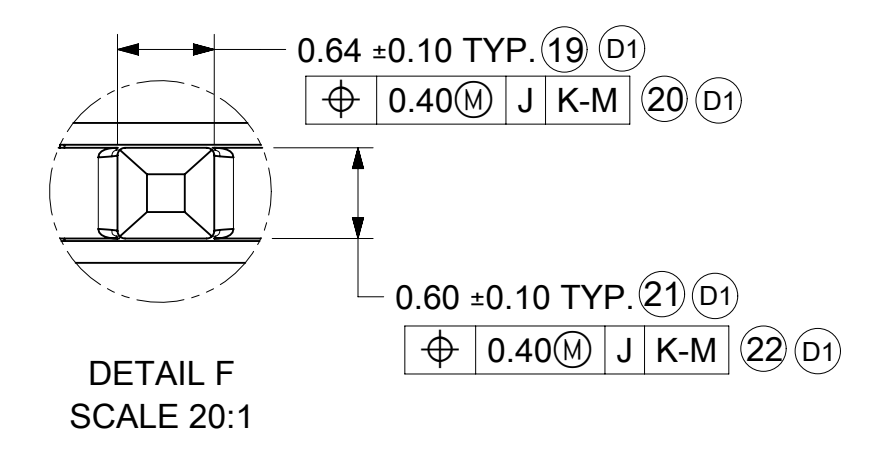
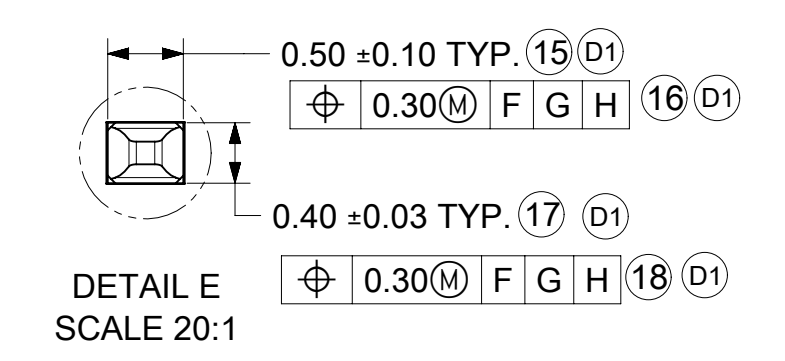
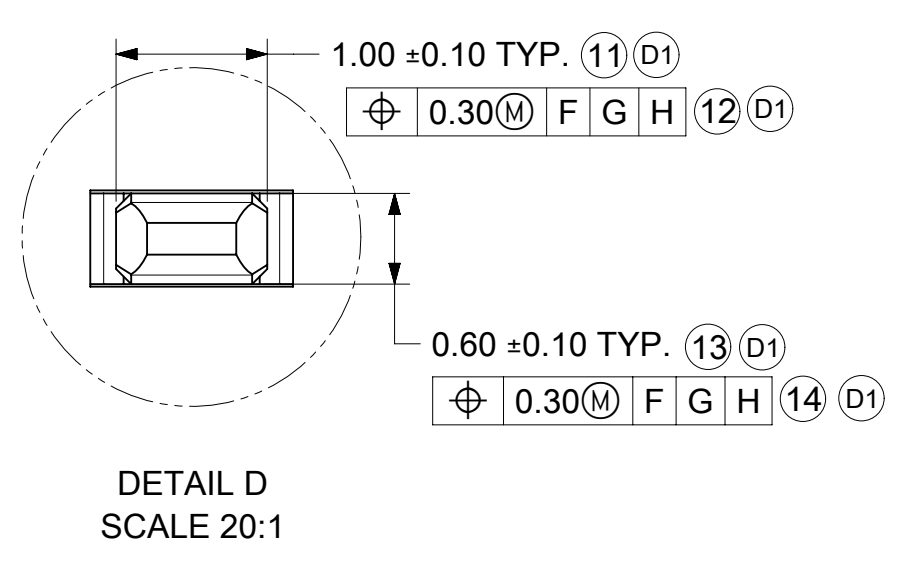
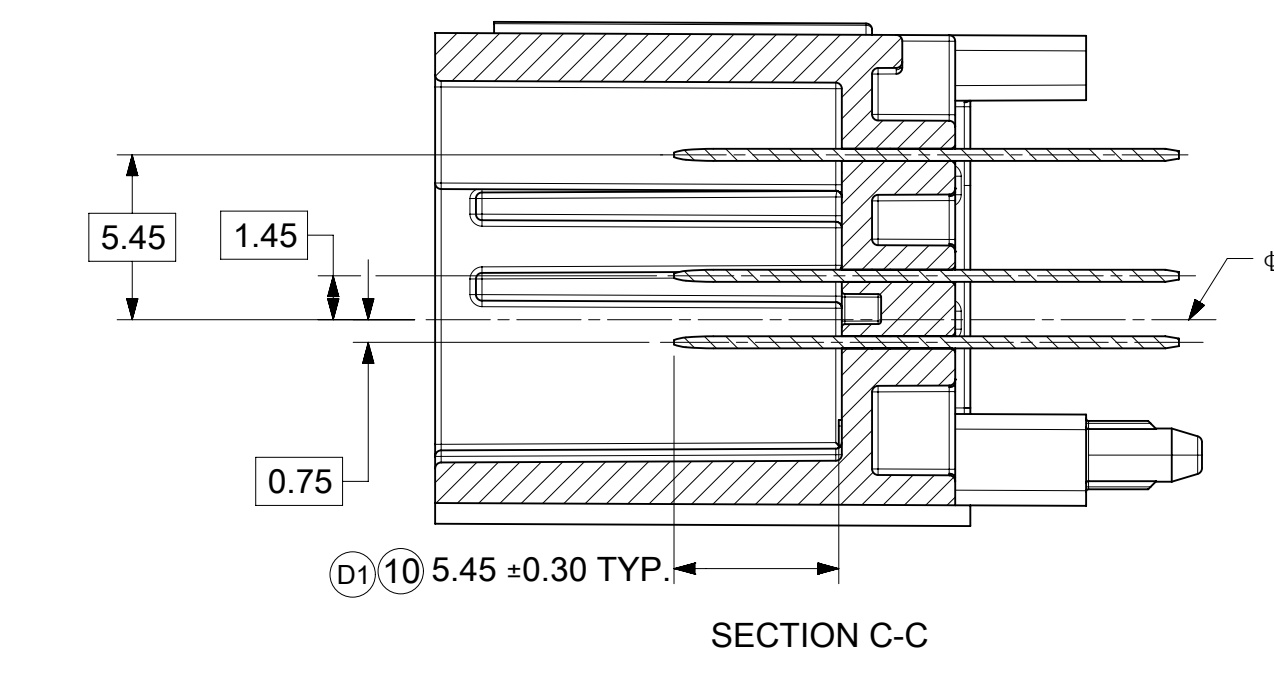
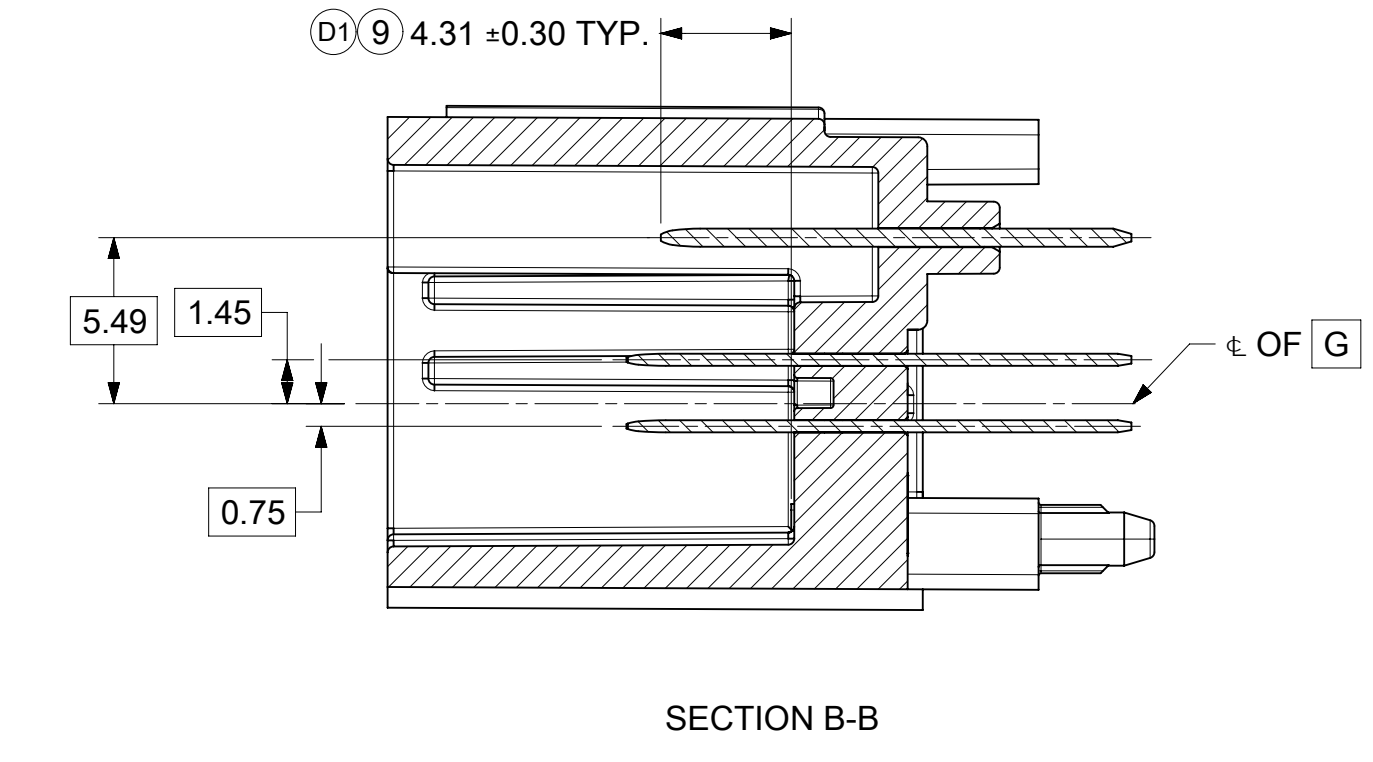
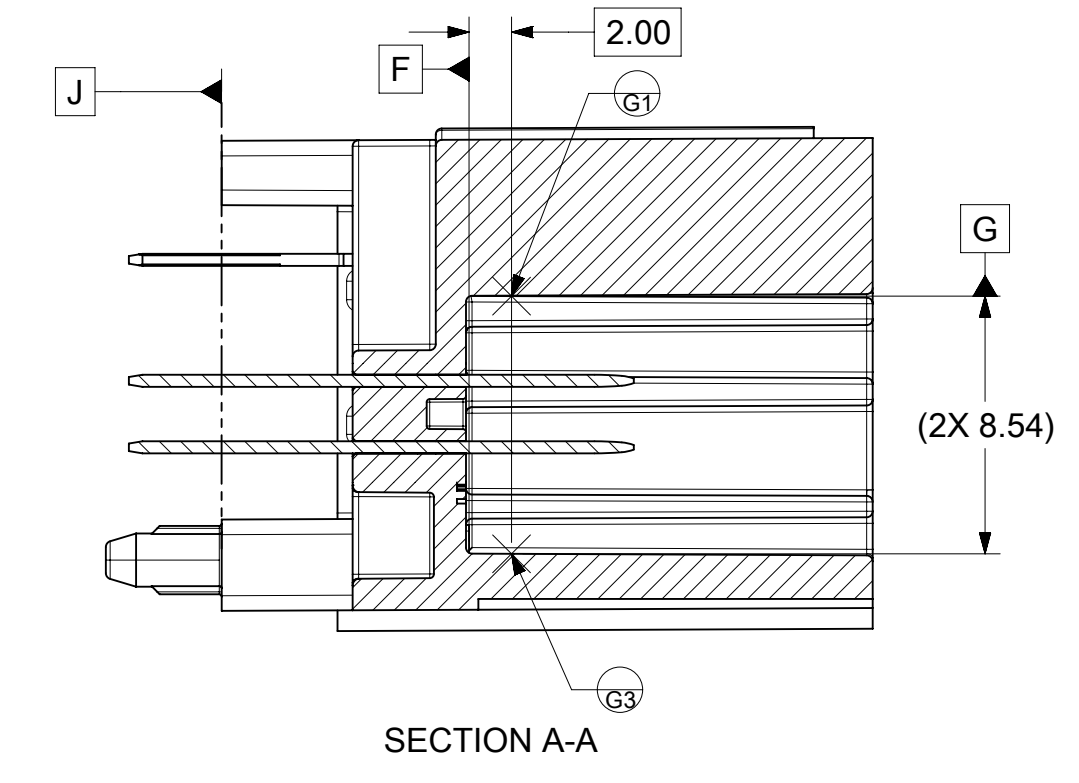
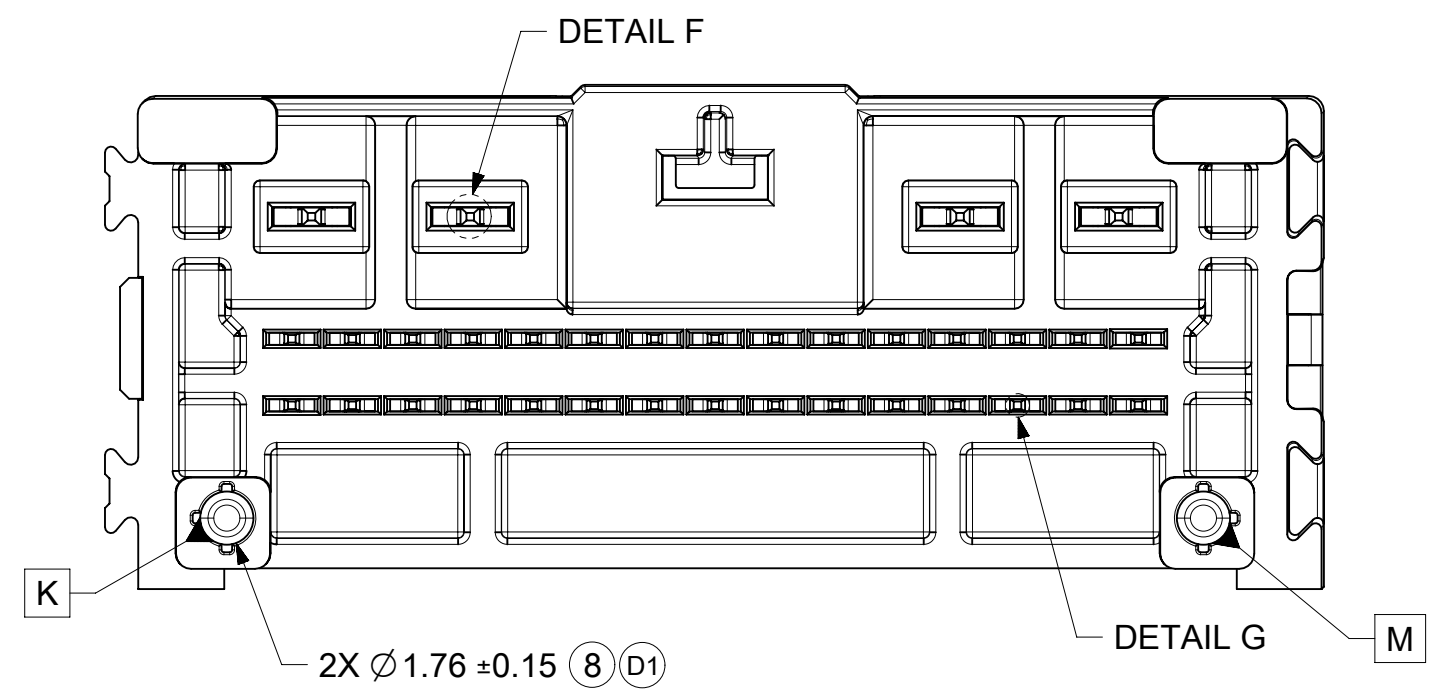
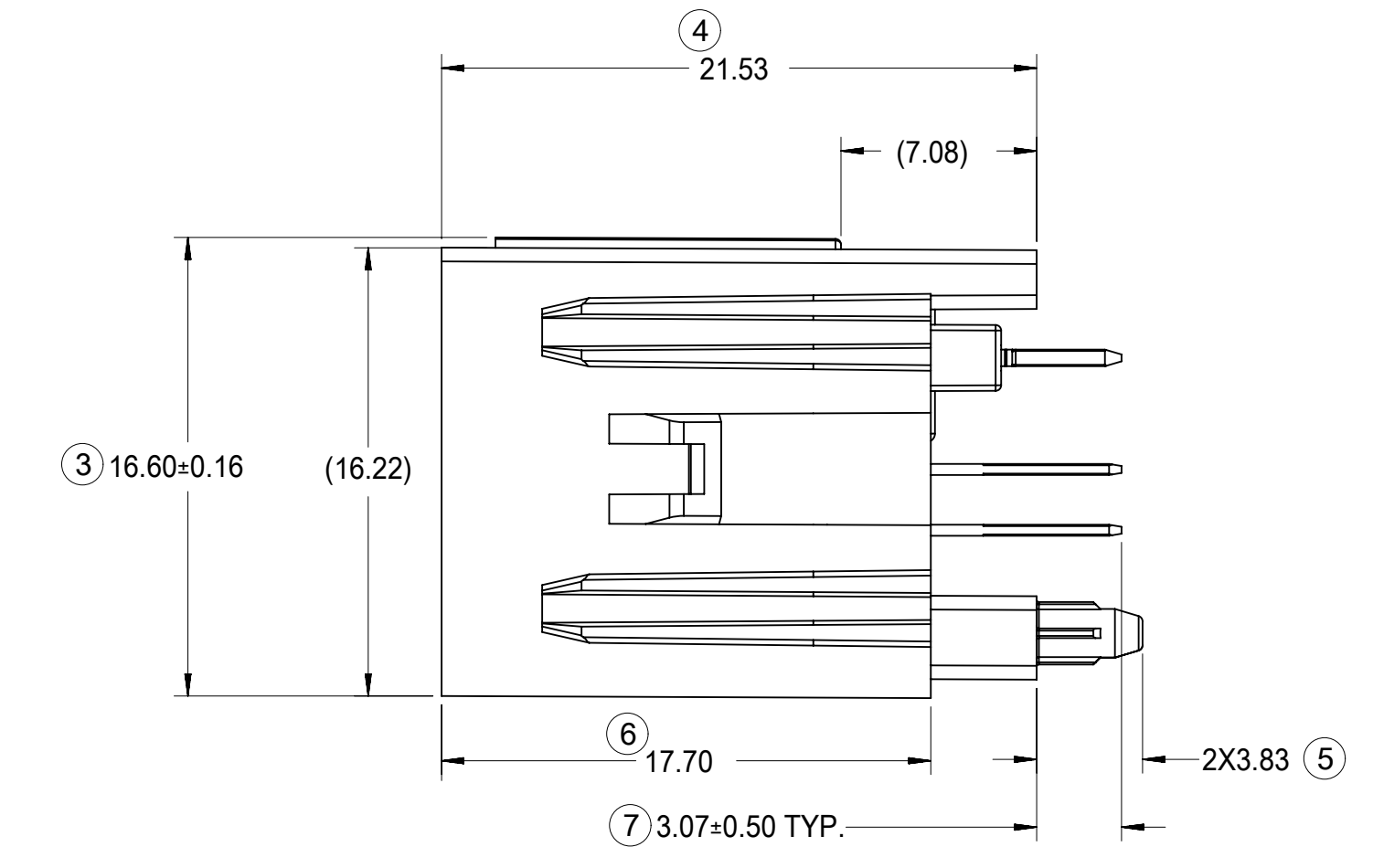
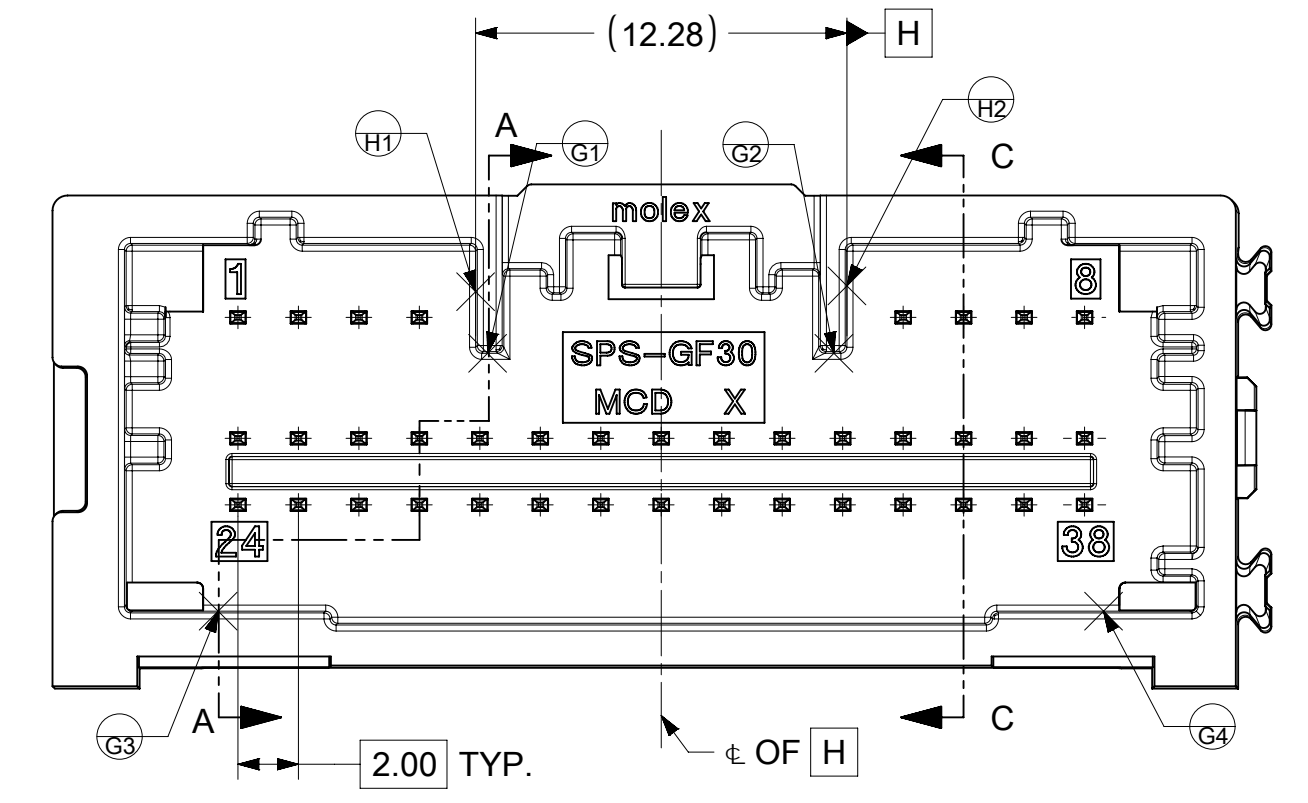
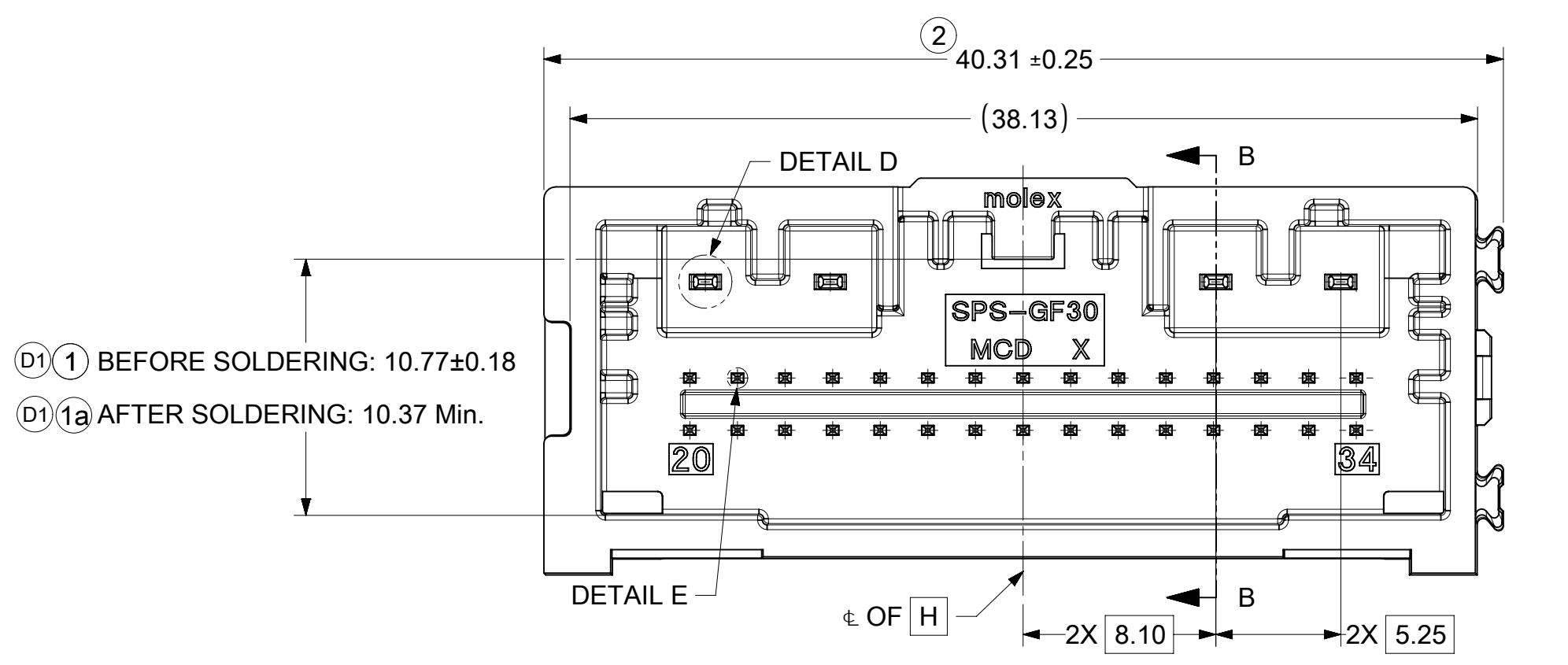


V0 P/Ns: 213382XXXX
APPLIES TO ALL CKT SIZES, USE 34CKT AS SHOWN

DEPRESSION FEATURE ADDED TO V0 PART TO DISTINGUISH FROM HB PART

FUNCTIONAL SYMBOLS FA = 0 FC = 0 FP = 0	THIS DRAWING CONTAINS INFORMATION THAT IS PROPRIETARY TO MOLEX ELECTRONIC TECHNOLOGIES, LLC AND SHOULD NOT BE USED WITHOUT WRITTEN PERMISSION	SCALE 3:1	CURRENT REV DESC:		molex
	DIMENSION UNITS mm	GENERAL TOLERANCES (UNLESS SPECIFIED)	EC NO: 672161 DRWN: SWU31 2021/07/27 CHK'D: CDZHANG 2021/08/11 APPR: CDZHANG 2021/08/11		
DIVISIONAL SYMBOLS	ANGULAR TOL ± °	4 PLACES ±	INITIAL REVISION:		PRODUCT CUSTOMER DRAWING
	3 PLACES ±	2 PLACES ±	DRWN: JFISCHER01 2013/12/05 APPR: RBAUMAN 2014/02/19		
	1 PLACE ±	0 PLACES ±	DRAFT WHERE APPLICABLE MUST REMAIN WITHIN DIMENSIONS		DOC TYPE PSD
			THIRD ANGLE PROJECTION	DRAWING D-SIZE	SHEET NUMBER 2 OF 4
			SERIES 34958	CUSTOMER GENERAL MARKET	REVISION D1

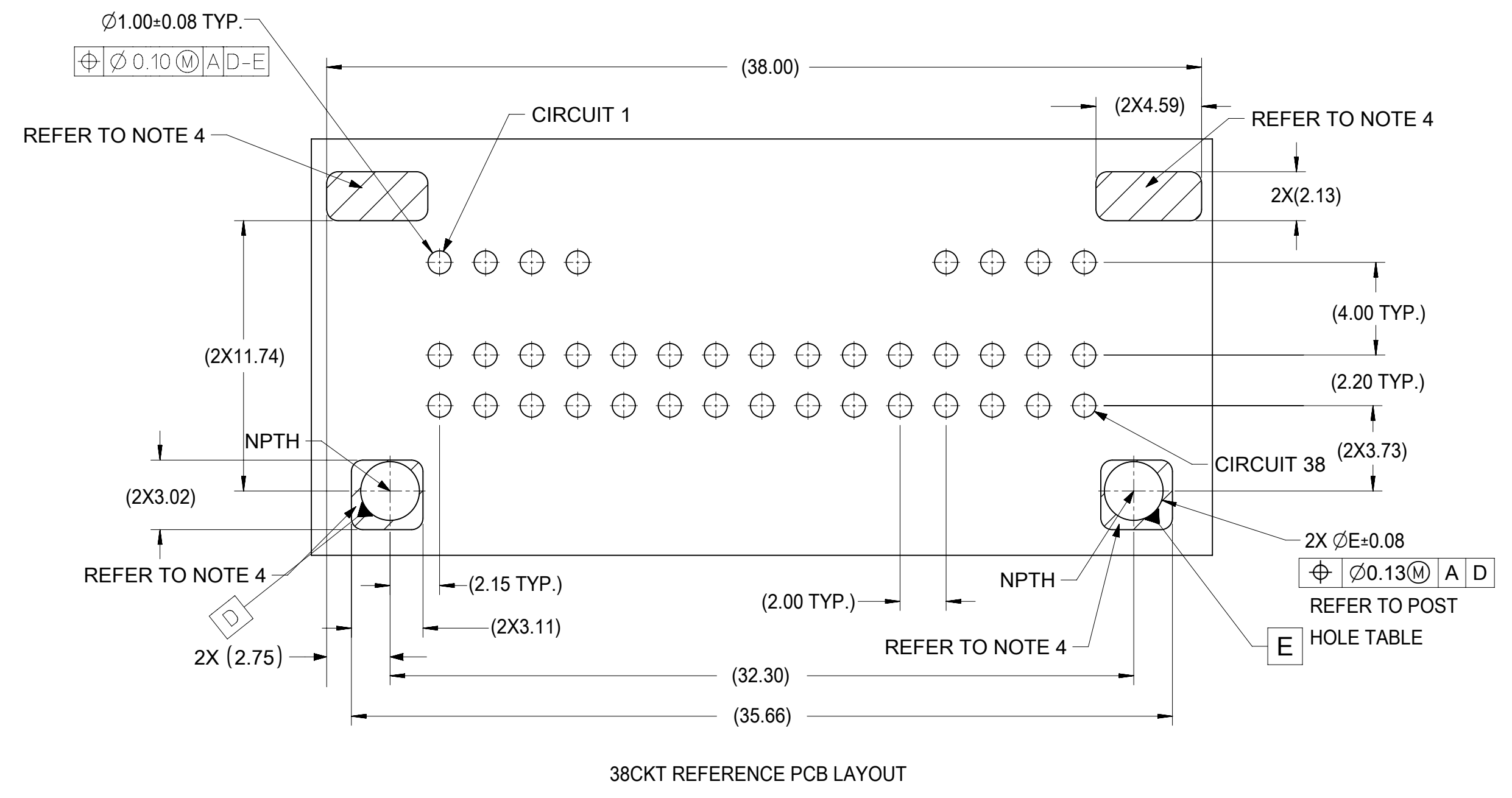
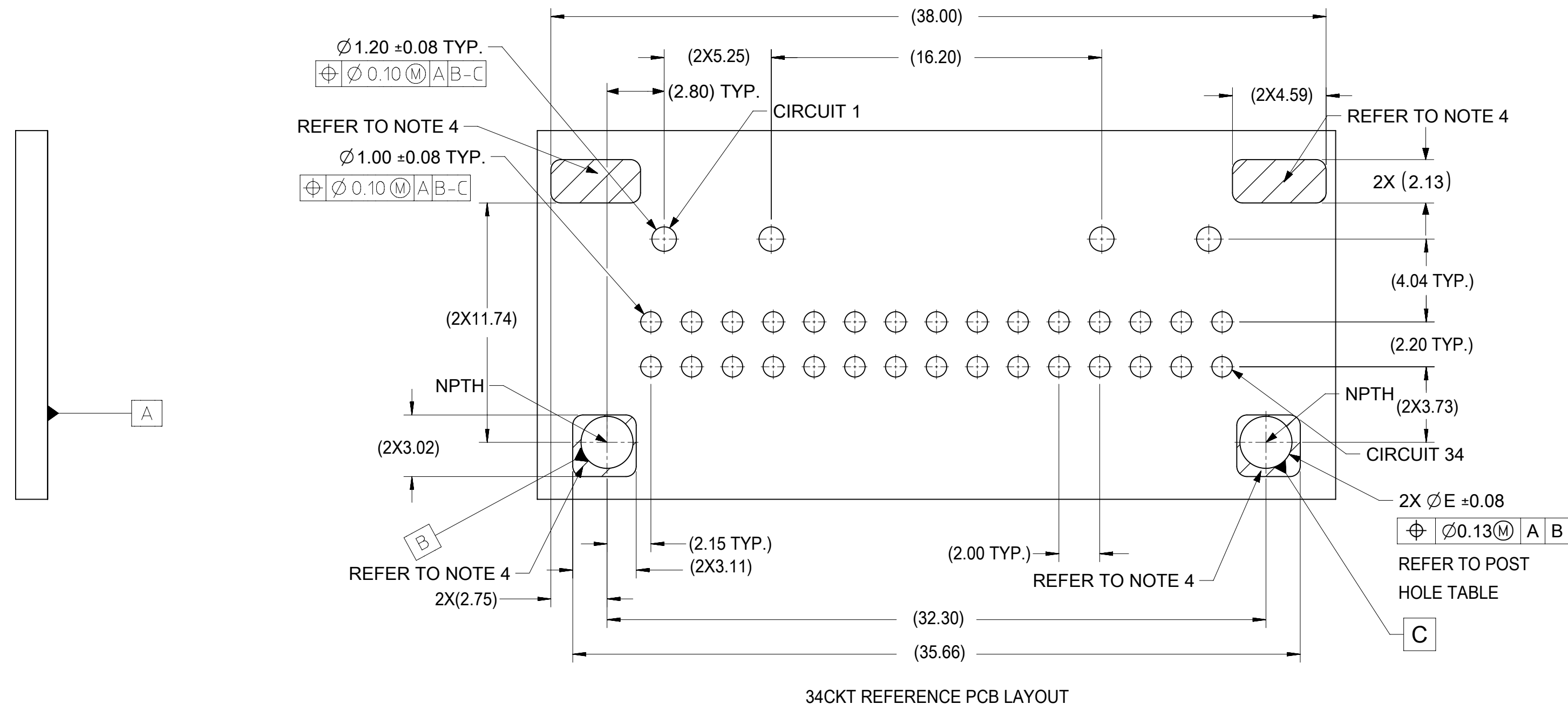
TABLE OF CONTENTS	
SHEET NO.	SHEET DESCRIPTION
3	DETAIL DIMENSION VIEW



FUNCTIONAL SYMBOLS FA = 0 FC = 0 FP = 0	THIS DRAWING CONTAINS INFORMATION THAT IS PROPRIETARY TO MOLEX ELECTRONIC TECHNOLOGIES, LLC AND SHOULD NOT BE USED WITHOUT WRITTEN PERMISSION		CURRENT REV DESC:		
	DIMENSION UNITS	SCALE			
DIVISIONAL SYMBOLS	mm	4:1	GENERAL TOLERANCES (UNLESS SPECIFIED)		PRODUCT CUSTOMER DRAWING
	ANGULAR TOL ± °		4 PLACES ±		DOCUMENT NUMBER
	3 PLACES ±		EC NO: 672161		DOC TYPE
	2 PLACES ±		DRWN: SWU31 2021/07/27		DOC PART
	1 PLACE ±		CHK'D: CDZHANG 2021/08/11		REVISION
	0 PLACES ±		APPR: CDZHANG 2021/08/11		
DRAFT WHERE APPLICABLE MUST REMAIN WITHIN DIMENSIONS		THIRD ANGLE PROJECTION	INITIAL REVISION:		SD-34958-300
		DRAWING	DRWN: JFISCHER01 2013/12/05		PSD
		SERIES	APPR: RBAUMAN 2014/02/19		001
		D-SIZE	34958		D1
		MATERIAL NUMBER	GENERAL MARKET		
		CUSTOMER	SHEET NUMBER		
			3 OF 4		

DOCUMENT STATUS	P1	RELEASE DATE	2021/08/11	04:03:04
-----------------	----	--------------	------------	----------

TABLE OF CONTENTS	
SHEET NO.	SHEET DESCRIPTION
4	REFERENCE PCB LAYOUT



POST HOLE TABLE:

FOR DIM E :	
PRESS FIT :	2.15
DROP IN :	2.55

FUNCTIONAL SYMBOLS FA = 0 FC = 0 FP = 0	THIS DRAWING CONTAINS INFORMATION THAT IS PROPRIETARY TO MOLEX ELECTRONIC TECHNOLOGIES, LLC AND SHOULD NOT BE USED WITHOUT WRITTEN PERMISSION		CURRENT REV DESC:		
	DIMENSION UNITS	SCALE			
DIVISIONAL SYMBOLS	mm	1:1			34 & 38 CKT MINI50 VERTICAL HEADER ASSMEBY SALES DRAWING
	GENERAL TOLERANCES (UNLESS SPECIFIED)				PRODUCT CUSTOMER DRAWING
	ANGULAR TOL ± °				DOCUMENT NUMBER
	4 PLACES ±		EC NO: 672161		SD-34958-300
	3 PLACES ±		DRWN: SWU31	2021/07/27	DOC TYPE
	2 PLACES ±		CHK'D: CDZHANG	2021/08/11	PSD
	1 PLACE ±		APPR: CDZHANG	2021/08/11	001
	0 PLACES ±		INITIAL REVISION:		D1
			DRWN: JFISCHER01	2013/12/05	
			APPR: RBAUMAN	2014/02/19	
DRAFT WHERE APPLICABLE MUST REMAIN WITHIN DIMENSIONS	THIRD ANGLE PROJECTION	DRAWING	SERIES	MATERIAL NUMBER	CUSTOMER
		D-SIZE	34958		GENERAL MARKET
					SHEET NUMBER
					4 OF 4