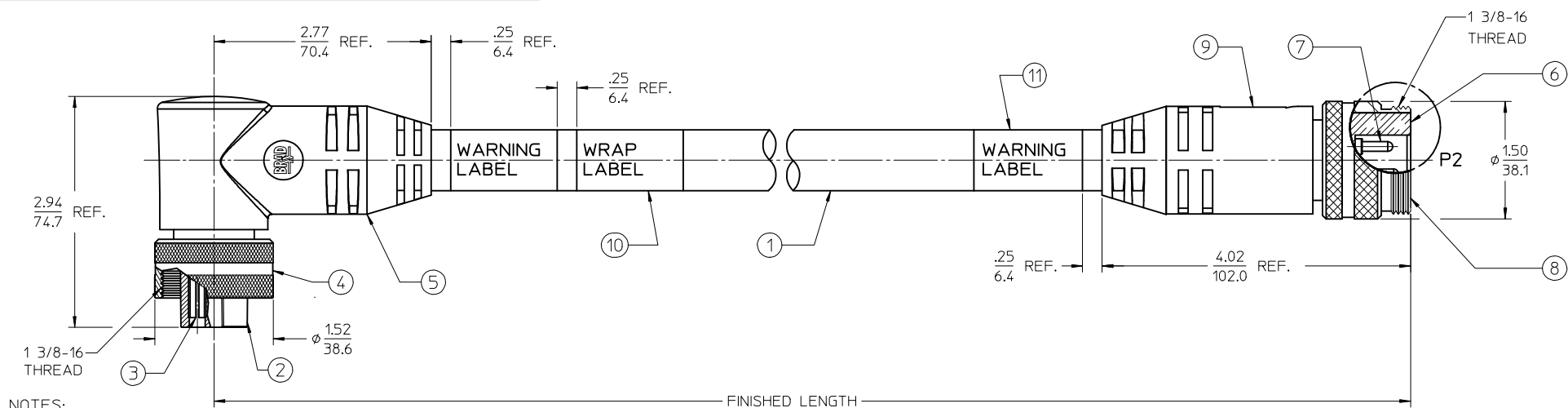


FACE VIEW-FEMALE INSERT		FACE VIEW-MALE INSERT	
1 BLACK 2 GREEN-YELLOW 3 WHITE	1 BLACK 2 GREEN-YELLOW 3 RED 4 WHITE	1 BLACK 2 GREEN-YELLOW 3 WHITE	1 BLACK 2 GREEN-YELLOW 3 RED 4 WHITE



NOTES:

- | | |
|--|--|
| 1) MATERIAL: SEE TABLE | 6) PACKAGING: CABLE ASSEMBLIES ARE BAGGED SEPERATLY IN POLY BAGS WITH BAR CODE LABEL ATTACHED TO OUTSIDE OF BAG. |
| 2) FINISHES: SEE TABLE | 7) ASSEMBLY IS RoHS COMPLIANT |
| 3) WRAP LABEL IS MARKED WITH P/N, DATE CODE VOLTAGE & AMPERAGE | 8. XX REFERS TO CIRCUIT COUNT |
| 4) MATES WITH: QUICK CHANGE RECEPTACLE | |
| 5) ELECTRICAL DATA:
10AWG UL TYPE: TC-ER/ST00W STRANDED CABLE
MAX VOLTAGE: 600V
MAX CURRENT: 32A
PROTECTION IP67 (WHEN MATED)
TEMPERATURE RANGE: -20°C TO 105°C | |

PART NUMBER LEGEND

CCX131A48MXXX

DOUBLE END
POLE COUNT: 3 OR 4
QC FEMALE 90 DEG TO MALE STRAIGHT, DUAL KEY
CABLE TYPE: 10 AWG TC ER, GRAY

FINISHED LENGTH:
M001= .1M
M010= 1.0M
M100= 10.0M

11	2	WARNING LABEL	VINYL	ORANGE/BLACK
10	1	WRAP LABEL	VINYL	BLACK/YELLOW
9	1	OVERMOLD, STRAIGHT	PVC	BLACK
8	1	COUPLING, MALE	ALUMINUM	BLACK ANODIZE
7	XX	CONTACT PIN	Cu ALLOY	GOLD PLATED
6	1	INSERT, MALE	PVC	BLACK
5	1	OVERMOLD, 90 DEG.	PVC	BLACK
4	1	COUPLING, FEMALE	ALUMINUM	BLACK ANODIZE
3	XX	CONTACT SOCKET	Cu ALLOY	GOLD PLATED
2	1	INSERT, FEMALE	PVC	BLACK
1	1	CABLE, 10AWG TC-ER (SEE NOTE 5)	PVC JACKET	GRAY
ITEM	QTY.	DESCRIPTION	MATERIAL	FINISH

RELEASED	2016/02/25
EC NO: JGZ2016-1108	2016/03/29
DRWRNSTONE	
CHKD:	
APPR: BWOODMAN	
DESCRIPTION	
REV	

QUALITY SYMBOLS	GENERAL TOLERANCES (UNLESS SPECIFIED)	
	mm	INCH
▽=0	4 PLACES ± .05	± .005
▽=0	3 PLACES ± .05	± .005
	2 PLACES ± 0.10	± .005
	1 PLACE ± 0.10	± .005
	0 PLACE ± .05	± .005
	ANGULAR ± .5 °	
	DRAFT WHERE APPLICABLE MUST REMAIN WITHIN DIMENSIONS	

DIMENSION STYLE		SCALE	DESIGN UNITS	THIRD ANGLE PROJECTION
MM ONLY		1:1	METRIC	
DRAWN BY	DATE	TITLE		
RSTONE	2016/02/25	QUICK CHANGE CORD ASSY		
CHECKED BY	DATE	QC FEM/MALE 90/STRAIGHT		
		10AWG, PVC CABLE GRAY		
APPROVED BY	DATE	molex		
BWOODMAN	2016/03/29	DOCUMENT NO.		
MATERIAL NO.		SD-130064-017		
		SHEET NO.		
		1 OF 1		

THIS DRAWING CONTAINS INFORMATION THAT IS PROPRIETARY TO MOLEX INCORPORATED AND SHOULD NOT BE USED WITHOUT WRITTEN PERMISSION