

VIP/S/MC/BASE 25-32/L/EX - Base module



2907025

<https://www.phoenixcontact.com/pc/products/2907025>

Please be informed that the data shown in this PDF document is generated from our online catalog. Please find the complete data in the user documentation. Our general terms of use for downloads are valid.



8-channel VIP I/O marshalling base element for universal use. All connections as screw connection technology. With the COMBICON connector, compatible with the Honeywell C300 and RUSIO series. Marking for channels 25–32.

Your advantages

- Integrated carrier for IOA insertion and retention
- Screw-clamp field connections
- Two isolated power bus options
- Channels for marking accessories
- Integrated DIN rail ground foot
- Rugged metal DIN rail foot for ease of installation or removal from the rail
- Each channel has four connections (A, B, C, D) and multiple shield options
- Terminals for discrete wiring or cable connection

Commercial data

Item number	2907025
Packing unit	1 pc
Minimum order quantity	1 pc
Note	Made to order (non-returnable)
Product key	CK8111
Catalog page	Page 553 (C-5-2017)
GTIN	4055626234380
Weight per piece (including packing)	445.1 g
Weight per piece (excluding packing)	445.1 g
Customs tariff number	85366990
Country of origin	US

VIP/S/MC/BASE 25-32/L/EX - Base module



2907025

<https://www.phoenixcontact.com/pc/products/2907025>

Technical data

Product properties

Product type	Module carrier
Product family	VIP I/O-Marshalling
No. of channels	8

Electrical properties

No. of channels	8
Max. operating voltage U_{max}	30 V DC (P2 and field terminals)
	230 V AC (P2 and field terminals)
	30 V DC (P1 terminals)
	30 V (X30 and X31 connectors)
Max. permissible current	15 A (P1 or P2 terminals)
Max. permissible total current	15 A (per module)
Max. current carrying capacity per branch	3 A (field signal)
	1 A (control contacts)

Connection data

Field level

Connection in acc. with standard	IEC / EN
Connection method	Screw connection
Stripping length	8 mm
Screw thread	M 3
Conductor cross section rigid	0.2 mm ² ... 4 mm ²
Conductor cross section flexible	0.2 mm ² ... 2.5 mm ²
Conductor cross section AWG	24 ... 12
Tightening torque	0.5 Nm ... 0.6 Nm

Controller level

Connection method	Pluggable screw connection
Number of connections	2
Number of positions	9

Ex data

Safety data

Input voltage U_i	30 V (per channel)
Input current I_i	1 A (per channel)
Inductance L_i	0 mH
Capacitance C_i	0 μ F

Signaling

Status display	No
----------------	----

VIP/S/MC/BASE 25-32/L/EX - Base module

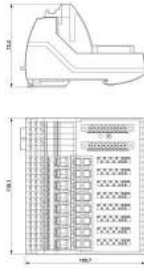


2907025

<https://www.phoenixcontact.com/pc/products/2907025>

Status display present	No
------------------------	----

Dimensions

Width	118.06 mm
Height	106.728674 mm
Depth	72.044842 mm
Dimensional drawing	
Width	118.1 mm
Height	102.7 mm
Depth	72.2 mm

Environmental and real-life conditions

Ambient conditions

Degree of protection	IP20
Ambient temperature (operation)	-40 °C ... 75 °C
Ambient temperature (storage/transport)	-40 °C ... 75 °C
Permissible humidity (operation)	0 % ... 95 % (non-condensing)

Approvals

ATEX

Identification	Ex II 3G
	Ex nA ic IIC T4 Gc
	Ex II 3G Ex nA ic IIC T4 Gc
	Ex II 3(3)G Ex nA [ic] IIC T4 Gc
	Ex II (3)D [Ex ic Dc] IIIC
Certificate	Sira 16ATEX4260X

IECEX

Identification	Ex nA IIC T4 Gc
	Ex nA ic IIC T4 Gc
	Ex nA [ic] IIC T4 Gc
	[Ex ic Dc] IIIC
	Ex nA [ia Ga] IIC T4 Gc
	[Ex ia Da] IIIC
Certificate	IECEX SIR 16.0088X

FM

2907025

<https://www.phoenixcontact.com/pc/products/2907025>

Identification	FM 3600
	FM 3611
	FM 3810
	Class I, Zone 2, AEx nA ic IIC T4 Gc
	AEx nA IIC T4 Gc
	Nonincendive: Class I, Div. 2, Groups A, B, C, D T4
	With connection to Class I, II, and III, Div. 2, Groups A, B, C, D, E, F, G

CSA, Canada

Identification	Ex nA ic IIC T4 Gc
	Ex nA IIC T4 Gc
	Nonincendive: Class I, Div. 2, Groups A, B, C, D T4
	With connection to Class I, II, and III, Div. 2, Groups A, B, C, D, E, F, G

ANSI/ISA

Identification	ANSI/ISA 60079-0
	ANSI/ISA 60079-11
	ANSI/ISA 60079-15

ANSI/IEC

Identification	ANSI/IEC 60529
----------------	----------------

Corrosive gas test

Identification	ISA S71.04.2013 G3 Harsh Group A
----------------	----------------------------------

Ex data

ATEX	Sira 16ATEX4260X; Ex II 3G Ex nA ic IIC T4 Gc; Ex II 3G Ex nA ic IIC T4 Gc Ex II 3(3)G Ex nA [ic] IIC T4 Gc; Ex II (3)D [Ex ic Dc] IIIC
IECEX	IECEX SIR 16.0088X Ex nA IIC T4 Gc; Ex nA ic IIC T4 Gc; Ex nA [ic] IIC T4 Gc; [Ex ic Dc] IIIC Ex nA [ia Ga] IIC T4 Gc; [Ex ia Da] IIIC
FM approval	Class I, Zone 2, AEx nA ic IIC T4 Gc; AEx nA IIC T4 Gc Nonincendive: Class I, Div. 2, Groups A, B, C, D T4 With connection to Class I, II, and III, Div. 2, Groups A, B, C, D, E, F, G

Standards and regulations

Standards/regulations	IEC 60664
	DIN EN 50178

Mounting

Mounting type	DIN rail mounting
Mounting position	As desired on 35 mm DIN rail in acc. with EN 60715

VIP/S/MC/BASE 25-32/L/EX - Base module

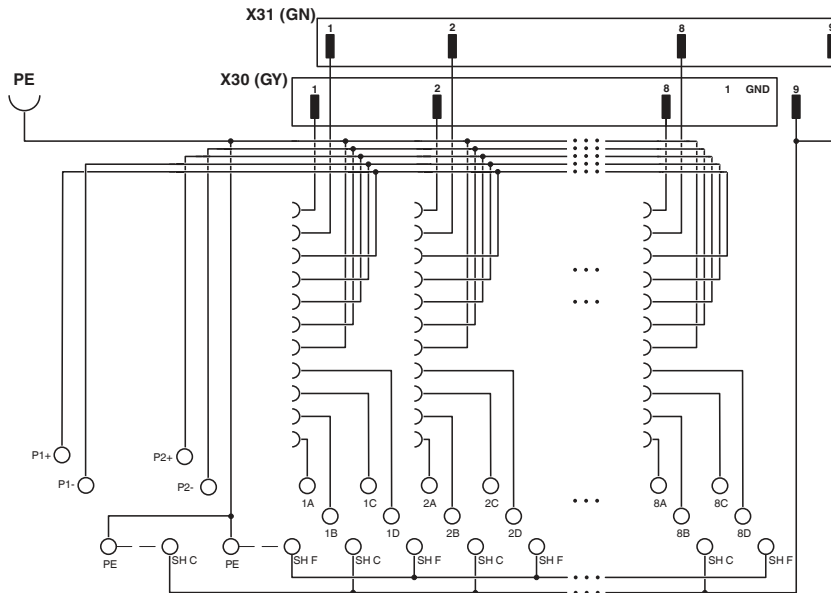


2907025

<https://www.phoenixcontact.com/pc/products/2907025>

Drawings

Circuit diagram



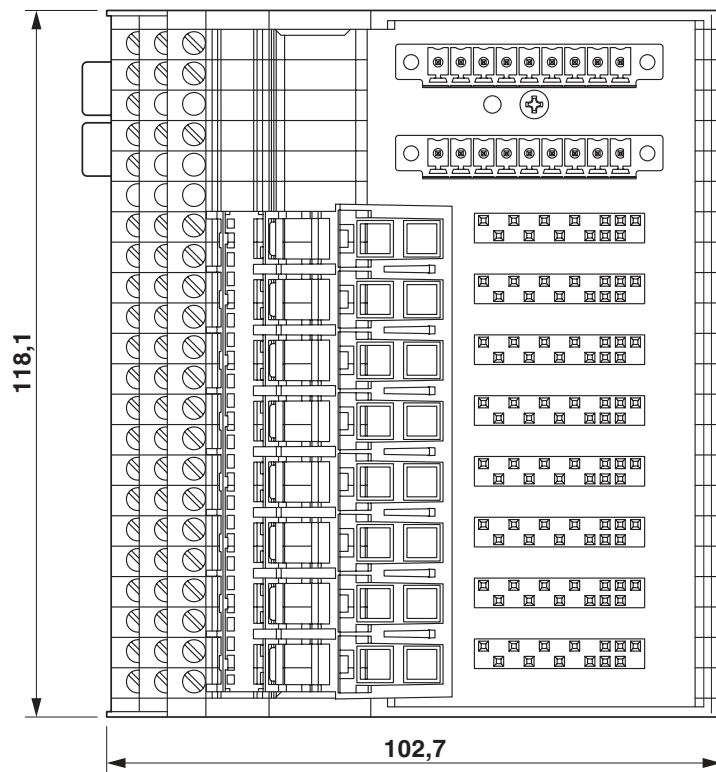
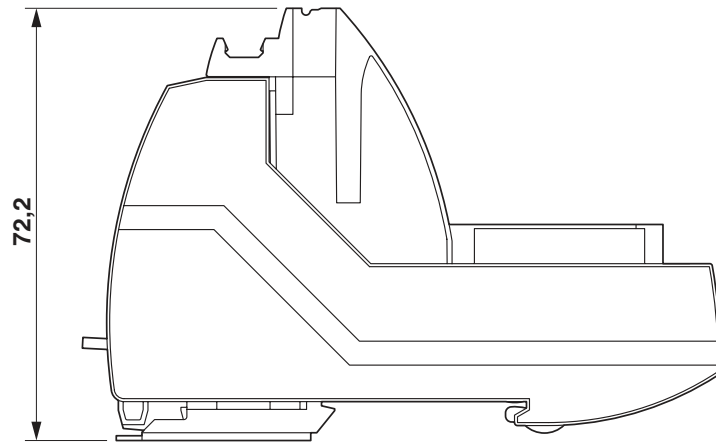
VIP/S/MC/BASE 25-32/L/EX - Base module

2907025

<https://www.phoenixcontact.com/pc/products/2907025>



Dimensional drawing



2907025

<https://www.phoenixcontact.com/pc/products/2907025>

Approvals

To download certificates, visit the product detail page: <https://www.phoenixcontact.com/pc/products/2907025>

Functional Safety

Approval ID: PHO 1609035 C001



IECEX

Approval ID: IECEX SIR 16.0088X



CSA

Approval ID: 2431647



FM approved

Approval ID: FM 16USUS0155X



CSAus

Approval ID: 2431647



ATEX

Approval ID: Sira 16ATEX4260X

cCSAus

VIP/S/MC/BASE 25-32/L/EX - Base module



2907025

<https://www.phoenixcontact.com/pc/products/2907025>

Classifications

ECLASS

ECLASS-11.0	27141152
ECLASS-12.0	27141152
ECLASS-13.0	27141152

ETIM

ETIM 8.0	EC002780
----------	----------

UNSPSC

UNSPSC 21.0	39121400
-------------	----------

VIP/S/MC/BASE 25-32/L/EX - Base module



2907025

<https://www.phoenixcontact.com/pc/products/2907025>

Environmental product compliance

China RoHS	Environmentally Friendly Use Period = 50 years For information on hazardous substances, refer to the manufacturer's declaration available under "Downloads"
------------	--

VIP/S/MC/BASE 25-32/L/EX - Base module



2907025

<https://www.phoenixcontact.com/pc/products/2907025>

Mandatory accessories

IOA FEED-THRU/EX - Feed-through plug

2906598

<https://www.phoenixcontact.com/pc/products/2906598>



Feed-through terminal block for VIP I/O-Marshalling base elements for conveying field signals to or from the I/O system.

IOA AI/AO/BFI/DS/0.5A/EX - Input/output module

2906599

<https://www.phoenixcontact.com/pc/products/2906599>



Fuse module for VIP I/O-Marshalling base elements with replaceable 0.5 A fuses in the field device supply path and in the signal path. Integrated test points and a disconnect knife enable uninterrupted signal measurement.

VIP/S/MC/BASE 25-32/L/EX - Base module

2907025

<https://www.phoenixcontact.com/pc/products/2907025>

IOA DI/DO/BFI/DS/1.0A/EX - Input/output module

2906600

<https://www.phoenixcontact.com/pc/products/2906600>



Fuse module for VIP I/O-Marshalling base elements with replaceable 1 A fuses in the field device supply path and in the signal path. Integrated test points and a disconnect knife enable uninterrupted signal measurement.

IOA REL 24V DO/BFI/3.0A/EX - Relay Module

2910153

<https://www.phoenixcontact.com/pc/products/2910153>



Relay module for VIP I/O-Marshalling base elements. For switching 24 V DC loads up to max. 3 A. Integrated fuse and fuse failure indication. N/O contact or N/C contact can be used.

VIP/S/MC/BASE 25-32/L/EX - Base module



2907025

<https://www.phoenixcontact.com/pc/products/2907025>

IOA REL 24V DI/BFI/1.0A/EX - Relay Module

2910155

<https://www.phoenixcontact.com/pc/products/2910155>



Relay module for VIP I/O-Marshalling base elements. For the electrically isolated coupling of 24 V DC field devices to digital inputs. Integrated fuse and fuse failure indication.

IOA REL 120V DO/BFI/3.0A/EX - Relay Module

2910154

<https://www.phoenixcontact.com/pc/products/2910154>



Relay module for VIP I/O-Marshalling base elements. For switching 120 V AC loads up to max. 3 A. Integrated fuse and fuse failure indication. N/O contact or N/C contact can be used.

VIP/S/MC/BASE 25-32/L/EX - Base module



2907025

<https://www.phoenixcontact.com/pc/products/2907025>

IOA REL 120V DI/1.0A/EX - Relay Module

2910157

<https://www.phoenixcontact.com/pc/products/2910157>



Relay module for VIP I/O-Marshalling base elements. For the electrically isolated coupling of 120 V AC field devices to digital inputs. Integrated fuse and fuse failure indication.

IOA REL 230V DO/BFI/NO/3.0A/EX - Relay Module

2910421

<https://www.phoenixcontact.com/pc/products/2910421>



Relay module for VIP I/O-Marshalling base elements. For switching 230 V AC loads up to max. 3 A. Integrated fuse and fuse failure indication. N/O contact can be used.

VIP/S/MC/BASE 25-32/L/EX - Base module



2907025

<https://www.phoenixcontact.com/pc/products/2907025>

IOA REL 230V DO/BFI/NC/3.0A/EX - Relay Module

2910422

<https://www.phoenixcontact.com/pc/products/2910422>



Relay module for VIP I/O-Marshalling base elements. For switching 230 V AC loads up to max. 3 A. Integrated fuse and fuse failure indication. N/C contact can be used.

IOA REL 230V DI/1.0A/EX - Relay Module

2910423

<https://www.phoenixcontact.com/pc/products/2910423>



Relay module for VIP I/O-Marshalling base elements. For the electrically isolated coupling of 230 V AC field devices to digital inputs. Integrated fuse and fuse failure indication.

VIP/S/MC/BASE 25-32/L/EX - Base module

2907025

<https://www.phoenixcontact.com/pc/products/2907025>

IOA RPSS-I-I/HART/EX - Power/input isolating amplifier

2908452

<https://www.phoenixcontact.com/pc/products/2908452>



Ex ic repeater power supply and input signal conditioner, HART for VIP I/O-Marshalling base elements: Transmits 0/4 ... 20 mA signals from the potentially explosive area (zone 2, CID2) to a load (active or passive) in the safe area. 3-way electrical isolation

IOA FEED-THRU-DO/NI/EX - Feed-through plug

1172189

<https://www.phoenixcontact.com/pc/products/1172189>



Non-incendive, Ex ic impeding devices for VIP I/O marshalling base elements. For limiting current (60 mA or 80 mA) and voltage (26.4 V DC) on digital outputs. For example, to control solenoid valves in the Ex area (zone 2, CID2).

VIP/S/MC/BASE 25-32/L/EX - Base module



2907025

<https://www.phoenixcontact.com/pc/products/2907025>

IOA PR-DAI/DAO/F/DS/2A/EX - Input/output module

1048208

<https://www.phoenixcontact.com/pc/products/1048208>



Fuse module for VIP I/O marshalling base elements with replaceable 2 A fuse in the field device supply path. Integrated test points and a disconnect knife allow uninterrupted signal measurement.

IOA PR-DAI/DAO/F/DS/0.25A/EX - Input/output module

1188706

<https://www.phoenixcontact.com/pc/products/1188706>



Fuse module for VIP I/O marshalling base elements with replaceable 0.25 A fuse in the field device supply path. Integrated test points and a disconnect knife allow uninterrupted signal measurement.

VIP/S/MC/BASE 25-32/L/EX - Base module



2907025

<https://www.phoenixcontact.com/pc/products/2907025>

IOA DAC-4DI/AI/EX - Converter

1145061

<https://www.phoenixcontact.com/pc/products/1145061>



Digital-to-analog converter for VIP I/O-Marshalling base elements. For connection of four digital inputs and conversion to a single analog 4...20 mA signal. Saves three I/O channels.

IOA LM-DI/R/RUSIO/EX - Monitoring module

1048209

<https://www.phoenixcontact.com/pc/products/1048209>



Cable monitoring module for VIP I/O marshalling base elements. Enables cable fault monitoring when using standard switching contacts in safety applications. Both wire breaks and short circuits can be detected.

Accessories

VIP/S/MC/BASE 25-32/L/EX - Base module



2907025

<https://www.phoenixcontact.com/pc/products/2907025>

VIP/S/MC/KIT 1-8 - Printed-circuit board connector

2907031

<https://www.phoenixcontact.com/pc/products/2907031>

Pair of screw-clamp plugs to connect to VIP base module labeled 1-8.



VIP/S/MC/KIT 9-16 - Printed-circuit board connector

2907267

<https://www.phoenixcontact.com/pc/products/2907267>

Pair of screw-clamp plugs to connect to VIP base module labeled 9-16.



VIP/S/MC/BASE 25-32/L/EX - Base module



2907025

<https://www.phoenixcontact.com/pc/products/2907025>

VIP/S/MC/KIT 17-24 - Printed-circuit board connector

2907268

<https://www.phoenixcontact.com/pc/products/2907268>

Pair of screw-clamp plugs to connect to VIP base module labeled 17-24.



VIP/S/MC/KIT 25-32 - Printed-circuit board connector

2907269

<https://www.phoenixcontact.com/pc/products/2907269>

Pair of screw-clamp plugs to connect to VIP base module labeled 25-32.



VIP/S/MC/BASE 25-32/L/EX - Base module



2907025

<https://www.phoenixcontact.com/pc/products/2907025>

VIP/S/FRONT-MC/KIT 1-8 - Printed-circuit board connector

2907032

<https://www.phoenixcontact.com/pc/products/2907032>

Pair of screw-clamp plugs to connect to VIP base module labeled 1-8



VIP/S/FRONT-MC/KIT 9-16 - Printed-circuit board connector

2907270

<https://www.phoenixcontact.com/pc/products/2907270>

Pair of screw-clamp plugs to connect to VIP base module labeled 9-16



VIP/S/MC/BASE 25-32/L/EX - Base module



2907025

<https://www.phoenixcontact.com/pc/products/2907025>

VIP/S/FRONT-MC/KIT 17-24 - Printed-circuit board connector

2907271

<https://www.phoenixcontact.com/pc/products/2907271>

Pair of screw-clamp plugs to connect to VIP base module labeled 17-24



VIP/S/FRONT-MC/KIT 25-32 - Printed-circuit board connector

2907272

<https://www.phoenixcontact.com/pc/products/2907272>

Pair of screw-clamp plugs to connect to VIP base module labeled 25-32



VIP/S/MC/BASE 25-32/L/EX - Base module



2907025

<https://www.phoenixcontact.com/pc/products/2907025>

IOA MCR-CJC-PT100 - Plug

1085776

<https://www.phoenixcontact.com/pc/products/1085776>



Plug for cold junction compensation for thermocouples, in combination with MACX MCR(-EX)-TC... temperature transducers

IOA-PSR-PS22-1NO-1NC-24DC - Coupling relay

2702971

<https://www.phoenixcontact.com/pc/products/2702971>



Plug-in SIL coupling relay as an input/output accessory for VIP base module, SIL 3 high- and low-demand applications, safe-state-off, couples digital output signals to the periphery, one enabling current path, one confirmation current path, test pulse filter

VIP/S/MC/BASE 25-32/L/EX - Base module



2907025

<https://www.phoenixcontact.com/pc/products/2907025>

VIP/S/BASE 3L DIVIDER - Partition plate

2907715

<https://www.phoenixcontact.com/pc/products/2907715>



VIP I/O marshalling partition plate for safe isolation between non-Ex i and Ex i plug-in modules on a base module in VIP design. The partition plate is mounted directly on the base module between the plug-in IOAs.

VIP/U/RAIL 3L DIVIDER - Partition plate

2908555

<https://www.phoenixcontact.com/pc/products/2908555>



VIP I/O marshalling partition plate for safe isolation between non-Ex i and Ex i assembled base modules for Honeywell systems. The partition plate is mounted directly on the DIN rail at the end of the base module.

VIP/S/MC/BASE 25-32/L/EX - Base module



2907025

<https://www.phoenixcontact.com/pc/products/2907025>

UC-TM 10 - Marker for terminal blocks

0818069

<https://www.phoenixcontact.com/pc/products/0818069>



Marker for terminal blocks, Sheet, white, unlabeled, can be labeled with: BLUEMARK ID COLOR, BLUEMARK ID, BLUEMARK CLED, PLOTMARK, CMS-P1-PLOTTER, mounting type: snapped, for terminal block width: 10.2 mm, lettering field size: 9.6 x 10.5 mm, Number of individual labels: 48

UC-TM 10 BU - Marker for terminal blocks

0818441

<https://www.phoenixcontact.com/pc/products/0818441>



Marker for terminal blocks, Sheet, blue, unlabeled, can be labeled with: BLUEMARK ID COLOR, BLUEMARK ID, BLUEMARK CLED, PLOTMARK, CMS-P1-PLOTTER, mounting type: snapped, for terminal block width: 10.2 mm, lettering field size: 9.6 x 10.5 mm, Number of individual labels: 48

VIP/S/MC/BASE 25-32/L/EX - Base module



2907025

<https://www.phoenixcontact.com/pc/products/2907025>

B-STIFT - Marker pen

1051993

<https://www.phoenixcontact.com/pc/products/1051993>



Marker pen, for manual labeling of unprinted Zack strips, smear-proof and waterproof, line thickness 0.5 mm

Phoenix Contact 2023 © - all rights reserved

<https://www.phoenixcontact.com>

PHOENIX CONTACT GmbH & Co. KG

Flachsmarktstraße 8

D-32825 Blomberg

+49 (0) 5235-3 00

info@phoenixcontact.com