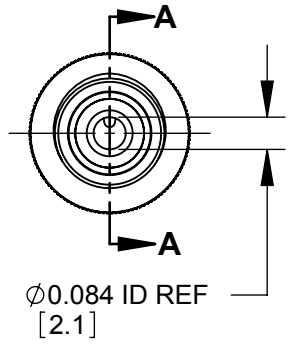
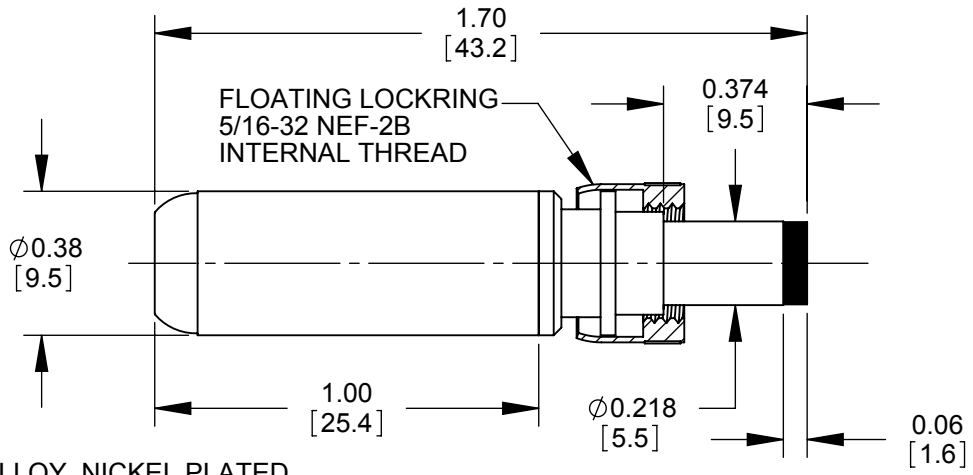
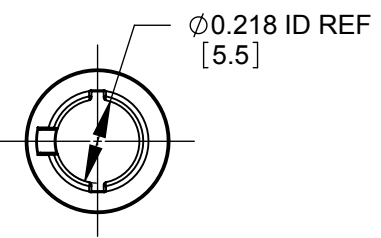


PART NUMBER	HANDLE COLOR
762K	BLACK
763K	RED



NOTES:

- MATERIALS:**
 CONDUCTORS, LOCKRING - COPPER ALLOY, NICKEL PLATED
 TERMINALS - COPPER ALLOY, TIN PLATED
 INSULATORS, HANDLE - THERMOPLASTIC

2. THIS PRODUCT IS RoHS COMPLIANT

CUSTOMER DRAWING

THIS DRAWING DESCRIBES A DESIGN CONSIDERED PROPRIETARY IN NATURE, DEVELOPED AND MANUFACTURED BY SWITCHCRAFT INC. AND IS RELEASED ON A CONFIDENTIAL BASIS FOR IDENTIFICATION PURPOSES ONLY.

UNLESS OTHERWISE SPECIFIED				
1. ALL DIMENSIONS IN INCHES				
- TWO PLACE DECIMALS ±0.02				
- THREE PLACE DECIMALS ±0.005				
A	26305	12-01-08	JEB	TJK
REV	ECO NUMBER	DATE	BY	APVD
REVISIONS				

SIZE	WIDTH	MULT	LBS/M	TEMPER
FINISH			MATERIAL	
SPEC No.			SPEC No.	
FIRST USED ON		SCALE 2:1		
DATE DRAWN	BY	CHKD	APVD	
9-7-07	PNK	JEB	TJK	
		3-6-09	01-12-11	
NAME Ø0.084 [2.1]mm x 0.374 LONG POWER PLUG W/LOCKRING, RoHS				REV A
PART No.			762K-763K	

SolidWorks CAD File

